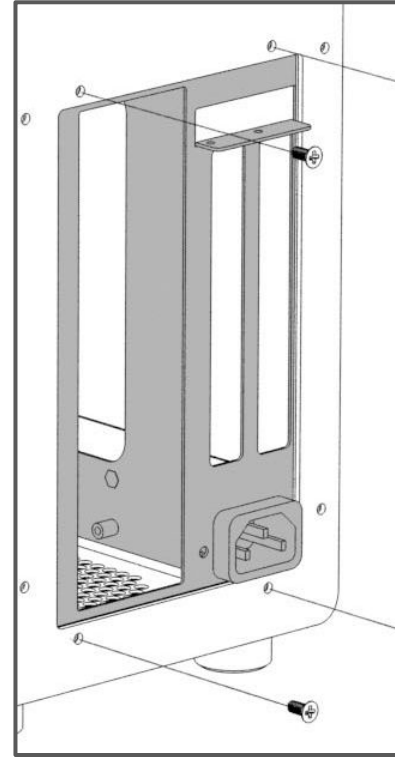
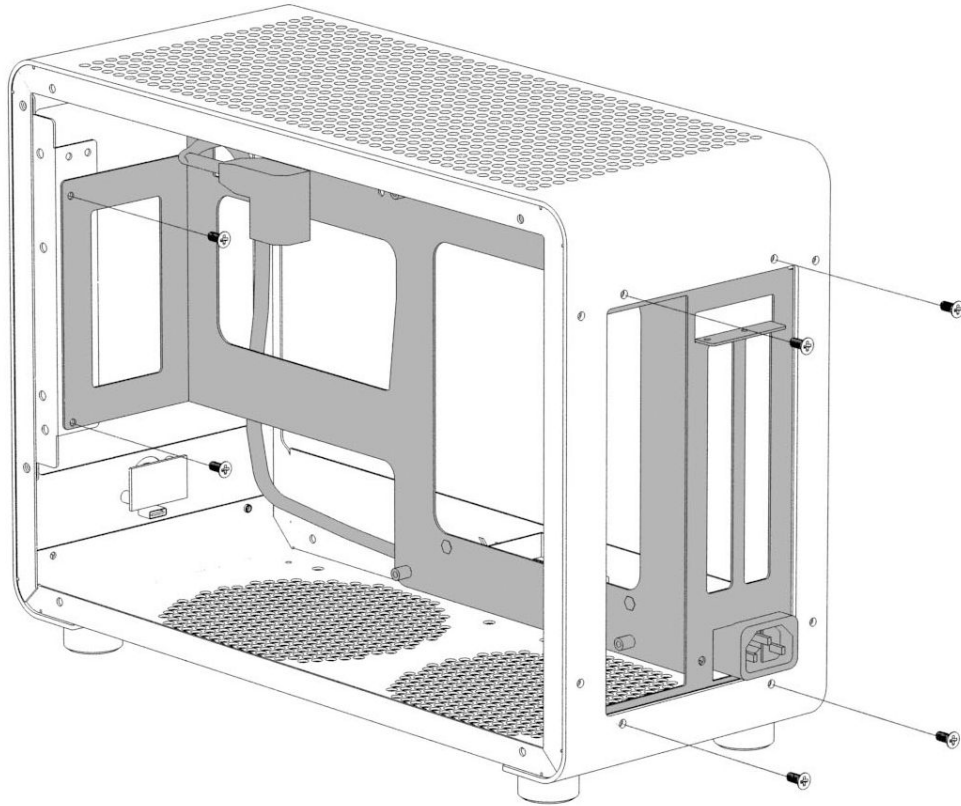
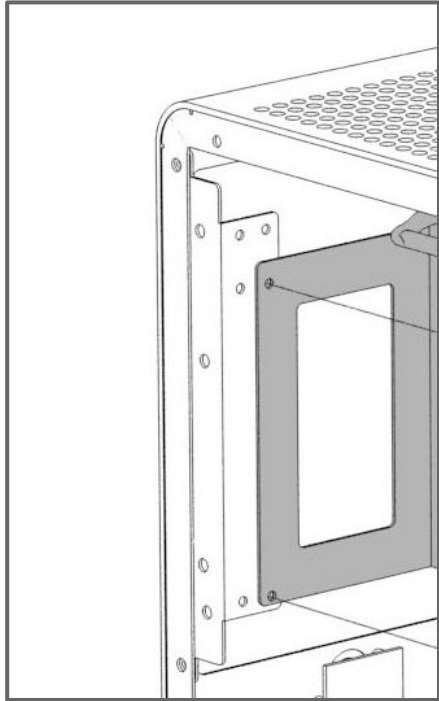


# G1 SE 2 INSTALLATION GUIDE

- 01 Adjust the middle bracket (adjust the space for CPU and GPU according to your needs).



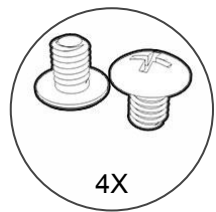
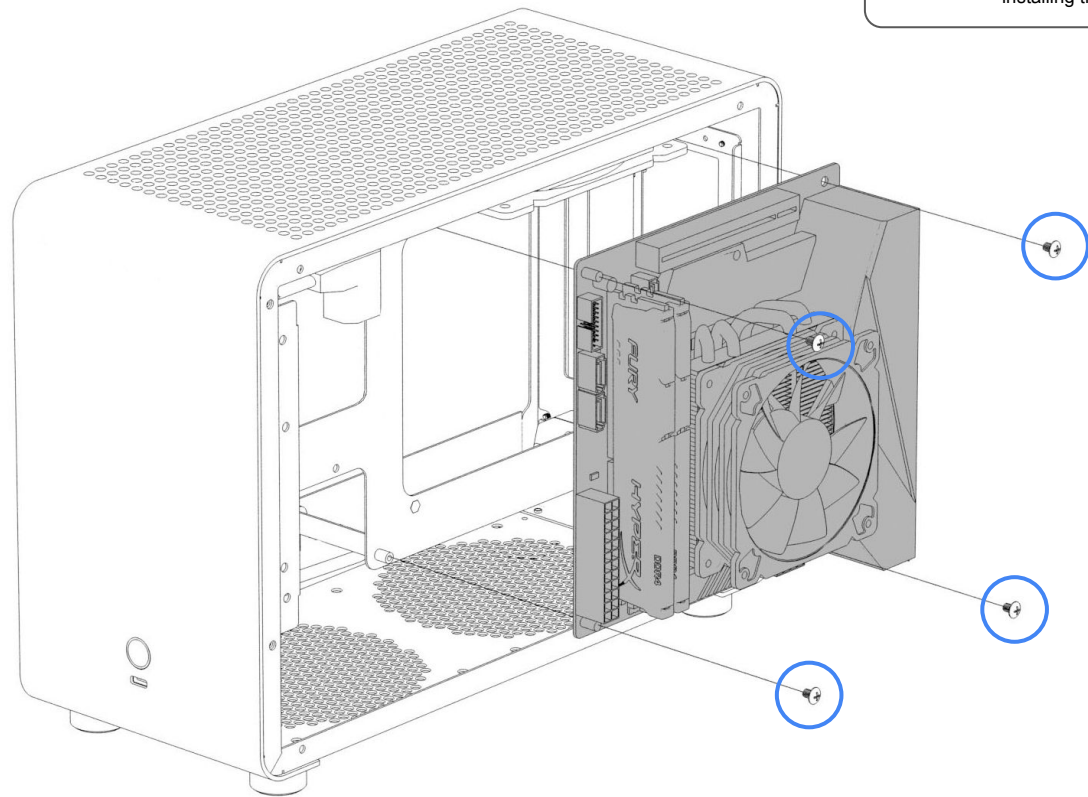
# G1 SE 2 INSTALLATION GUIDE

02

Motherboard Installation / 安裝主機板



Please install the power switch connector and LED connector to the motherboard before installing the motherboard into the chassis.

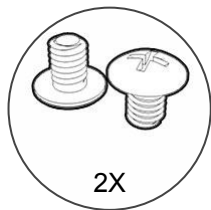
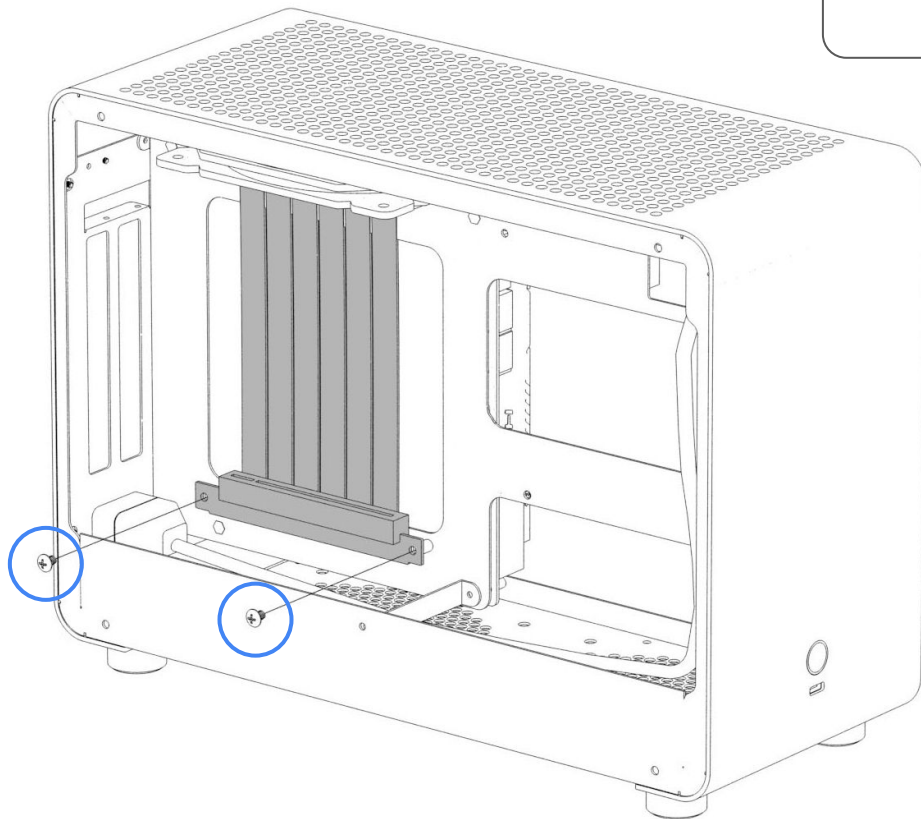


# G1 SE 2 INSTALLATION GUIDE

## 03 PCI-E Riser Cable Installation / 安裝PCI-E顯示卡延長線



Please insert the PCI-E extension cable into the PCI-E slot of the motherboard first, and then install the riser cable into the chassis.  
請先將PCI-E延長線插入主機板的PCI-E插槽，再將PCI-E延長線安裝到機殼。

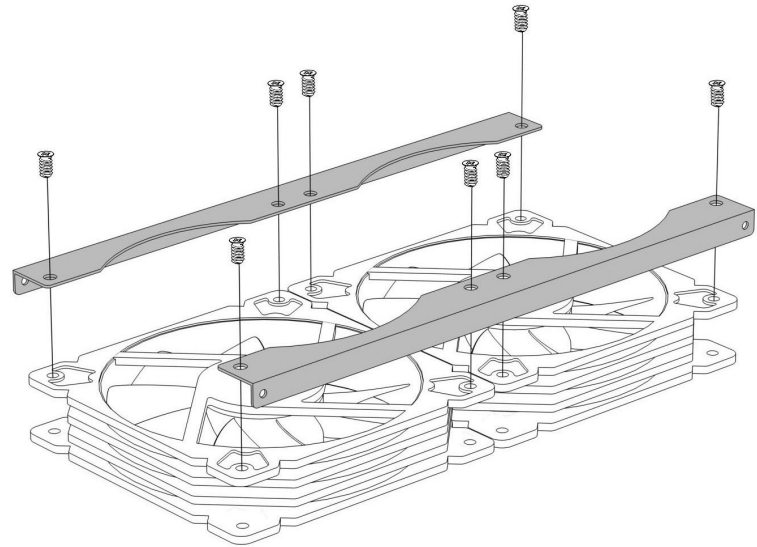
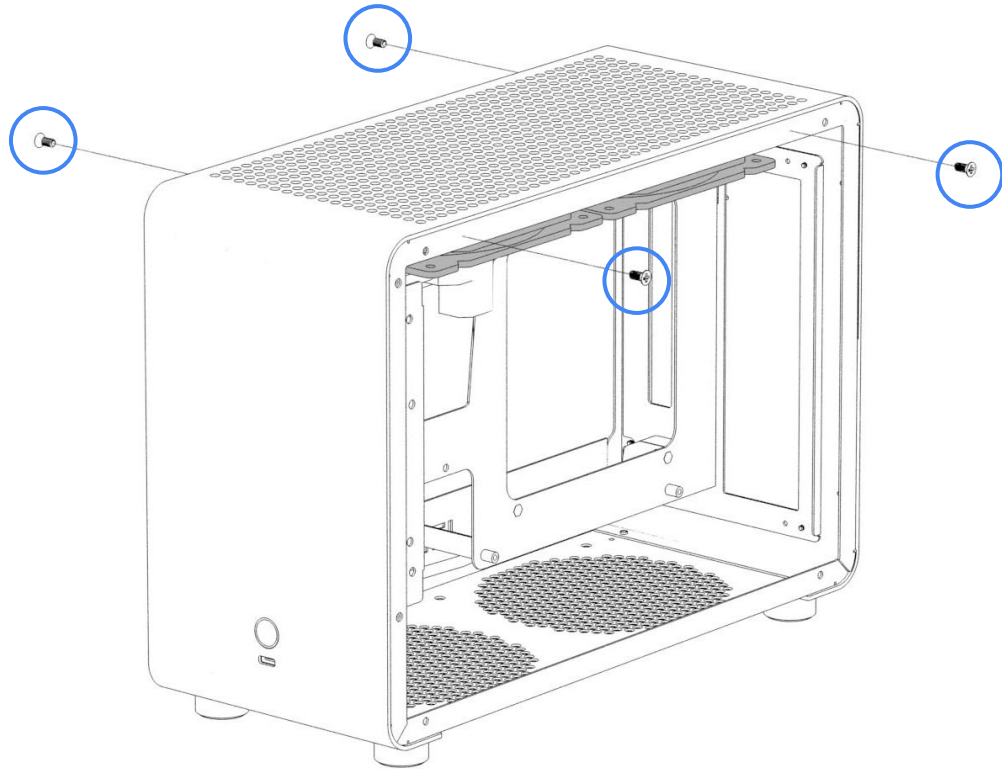


2X

# G1 SE 2 INSTALLATION GUIDE

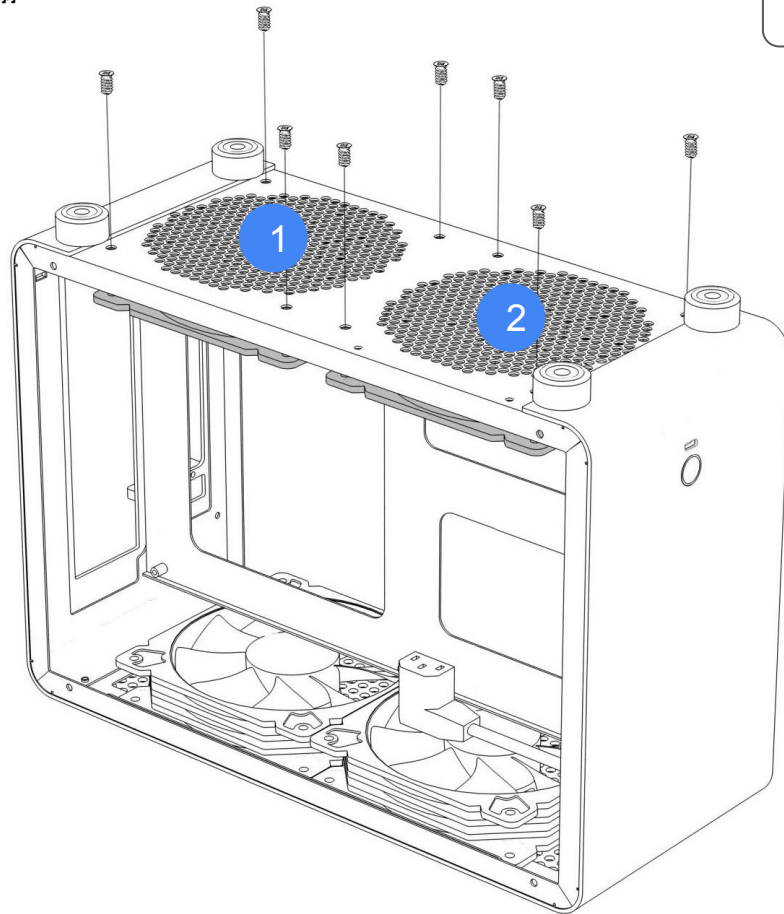
04

Upper Fan Installation / 安裝上方風扇



05

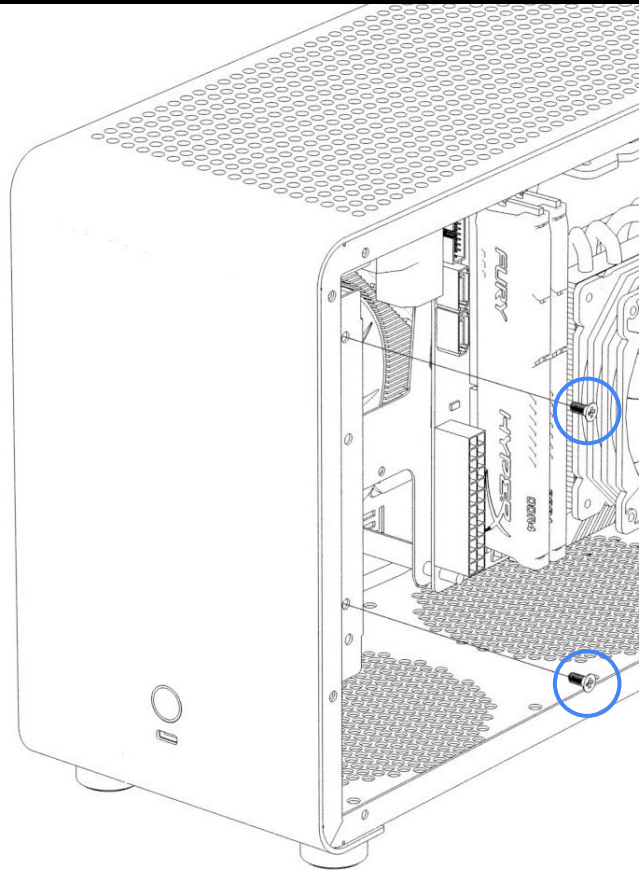
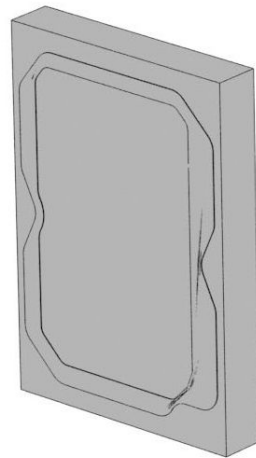
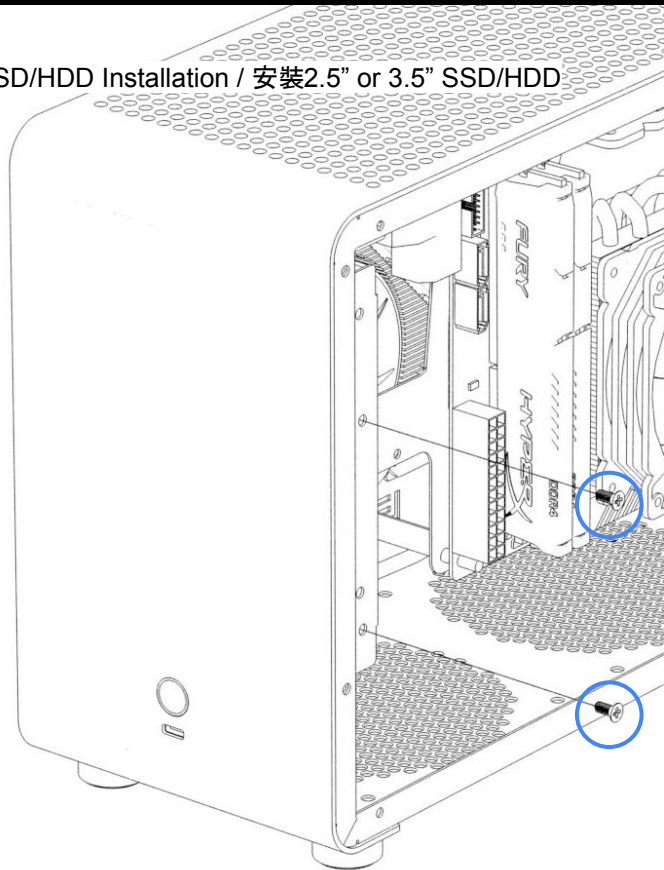
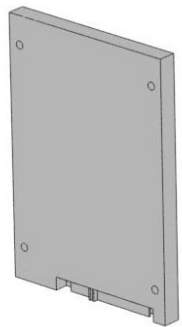
## Bottom Fan Installation / 安裝底部風扇



Please install the fan below the motherboard  
before installing the fan below the power supply.  
請先安裝主板下方的風扇再安裝電源下方的風扇

# G1 SE 2 INSTALLATION GUIDE

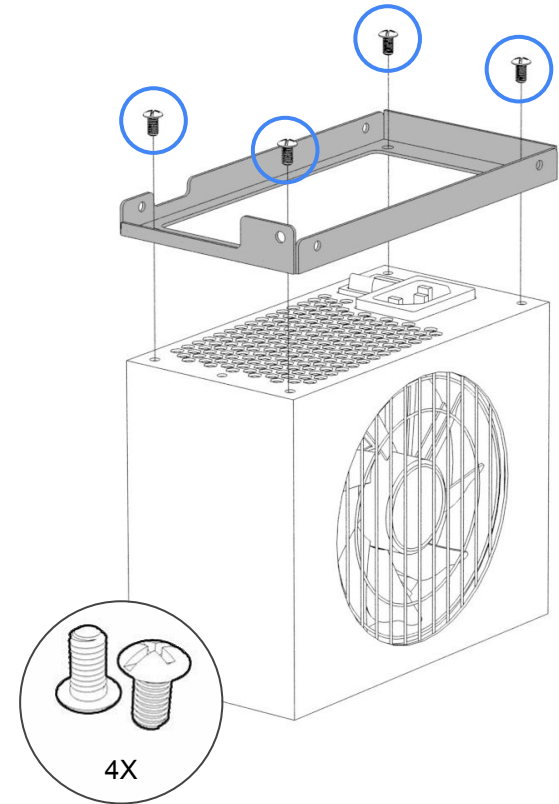
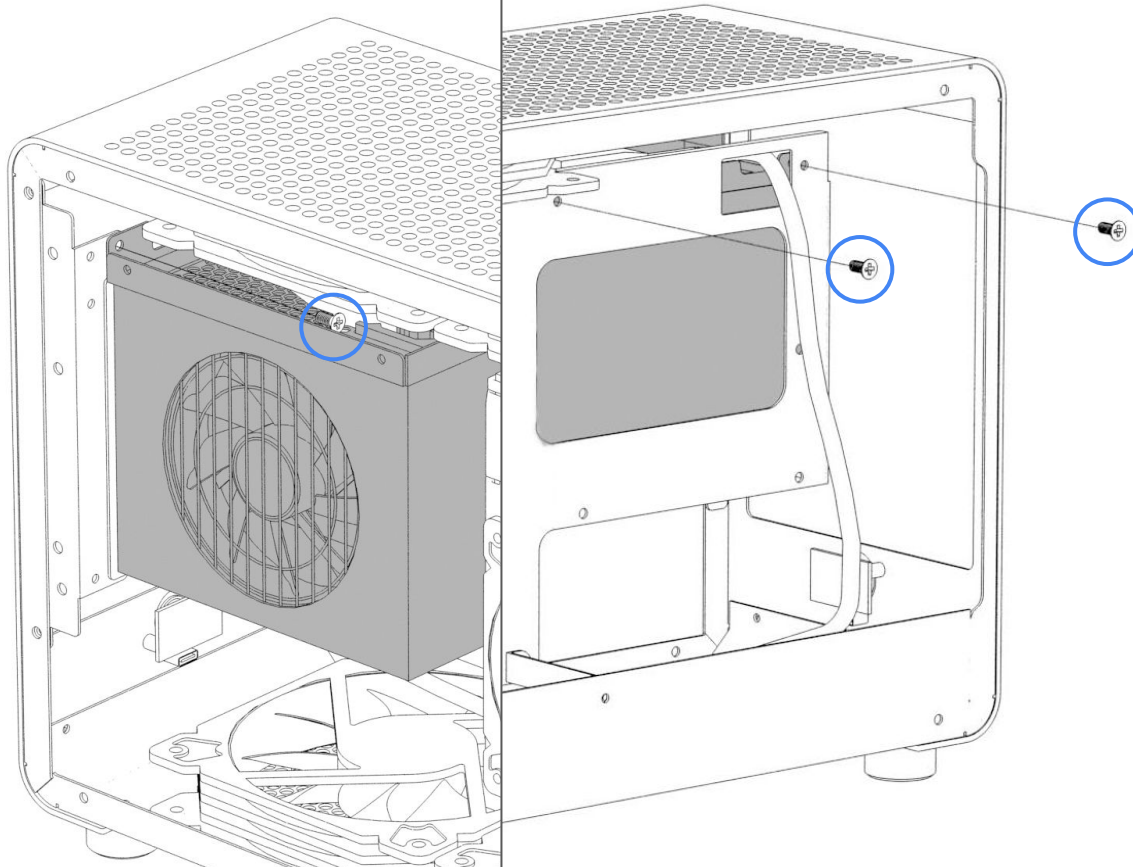
## 06 2.5" or 3.5" SSD/HDD Installation / 安裝2.5" or 3.5" SSD/HDD



# G1 SE 2 INSTALLATION GUIDE

07

PSU Installation / 安裝電源



# G1 SE 2 INSTALLATION GUIDE

08

GPU Installation / 安裝顯示卡

