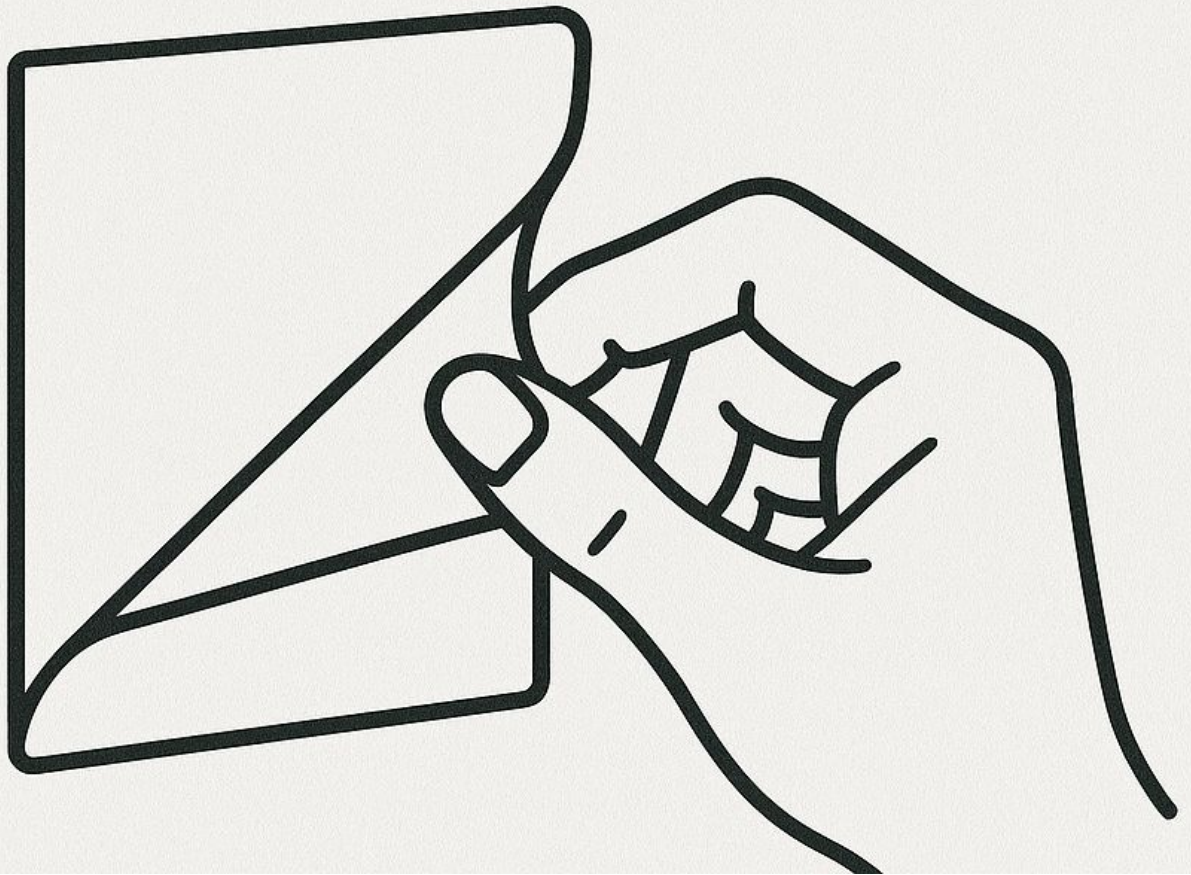
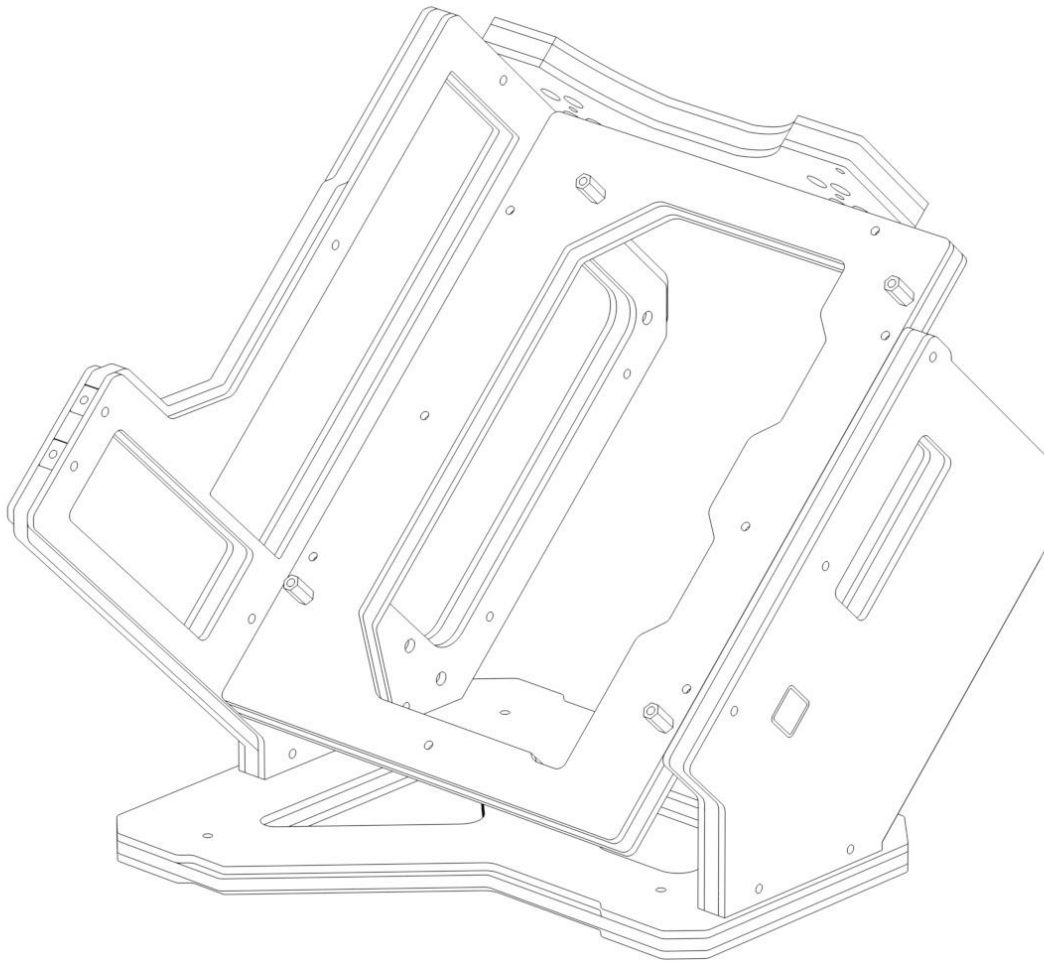







**PLEASE PEEL
OFF PROTECTIVE
FILM**



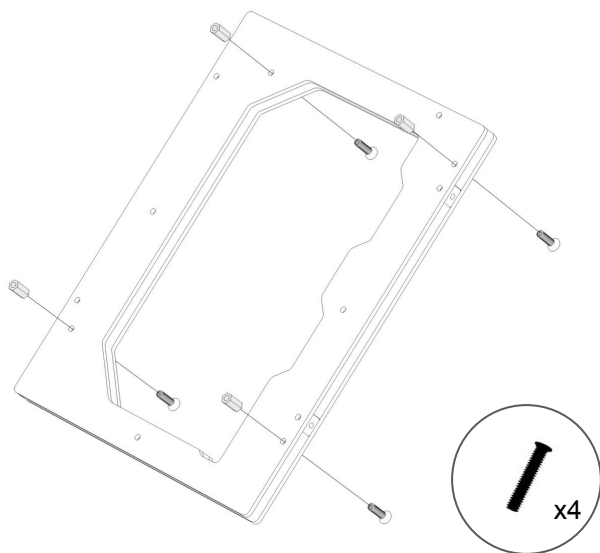
RHINO S | INSTALLATION GUIDE



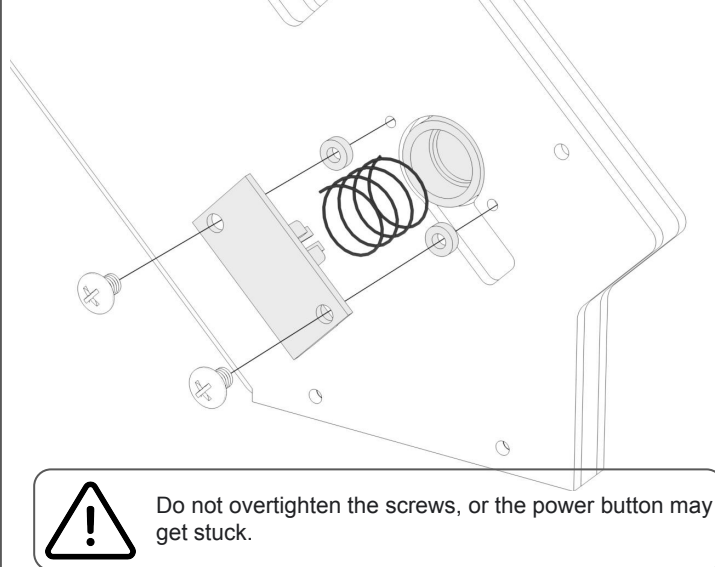
m3x5mm x6		Mount the motherboard and graphics card
m3x14mm x11		Mount the panel
m3x12mm x4		Mount the bottom panel
#6-32x13mm (UNC) x8		Mount the power supply and radiator
10mm Standoffs x4		M/B Standoffs

RHINO S INSTALLATION GUIDE

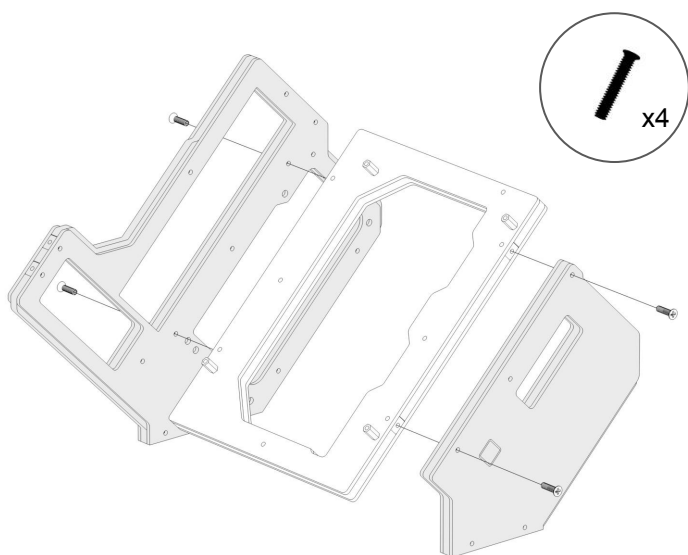
Step 1 : Standoff Installation



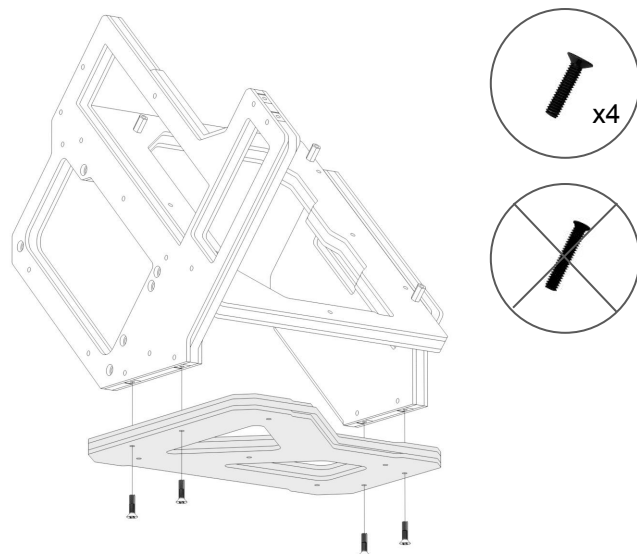
Step 2 : Power Button Installation



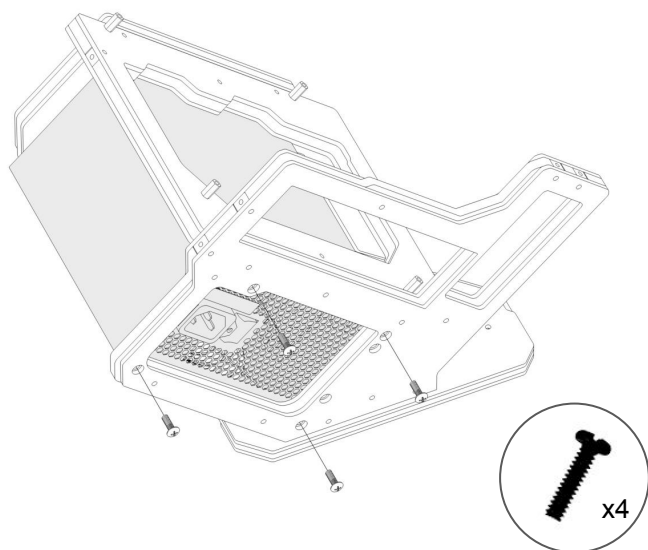
Step 3 : Left and Right Side Panel Installation



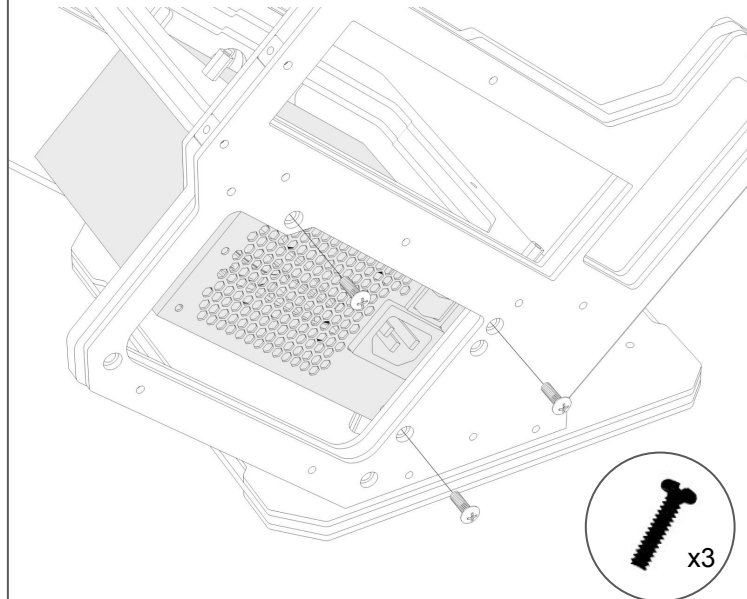
Step 4 : Bottom Panel Installation



Step 5-1 : ATX PSU Installation

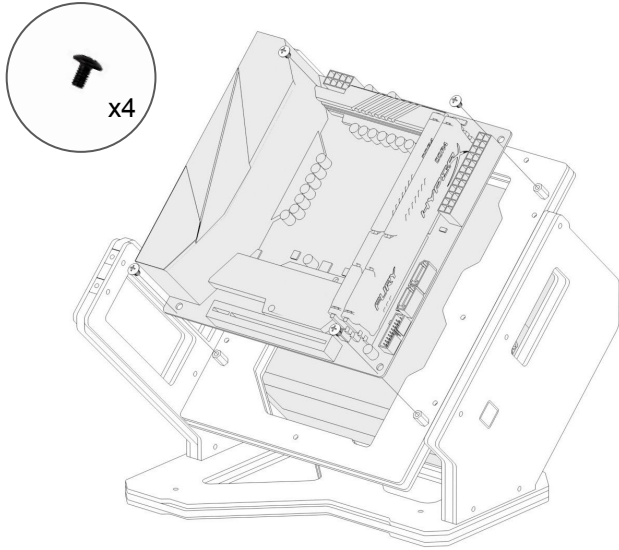


Step 5-2 : SFX, SFX-L PSU Installation

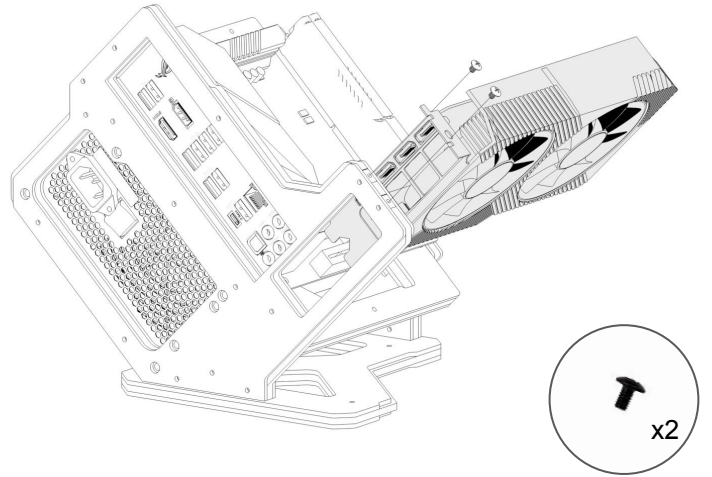


RHINO S INSTALLATION GUIDE

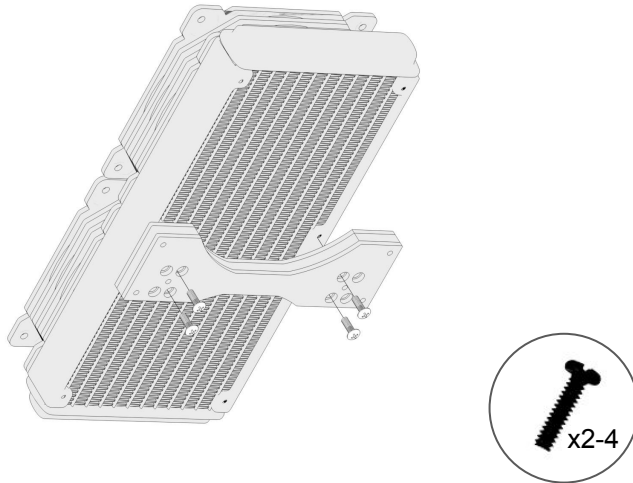
Step 6 : Motherboard Installation



Step 7 : Graphics Card Installation



Step 8-1 : AIO Cooler Installation



Step 8-2 : AIO Cooler Installation

