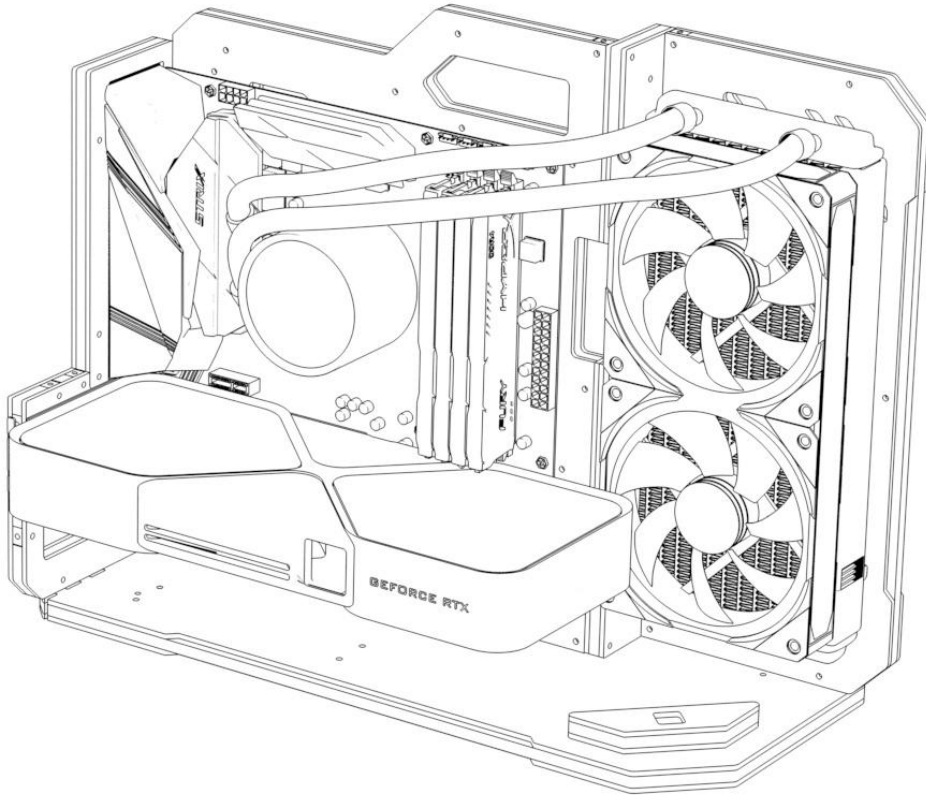







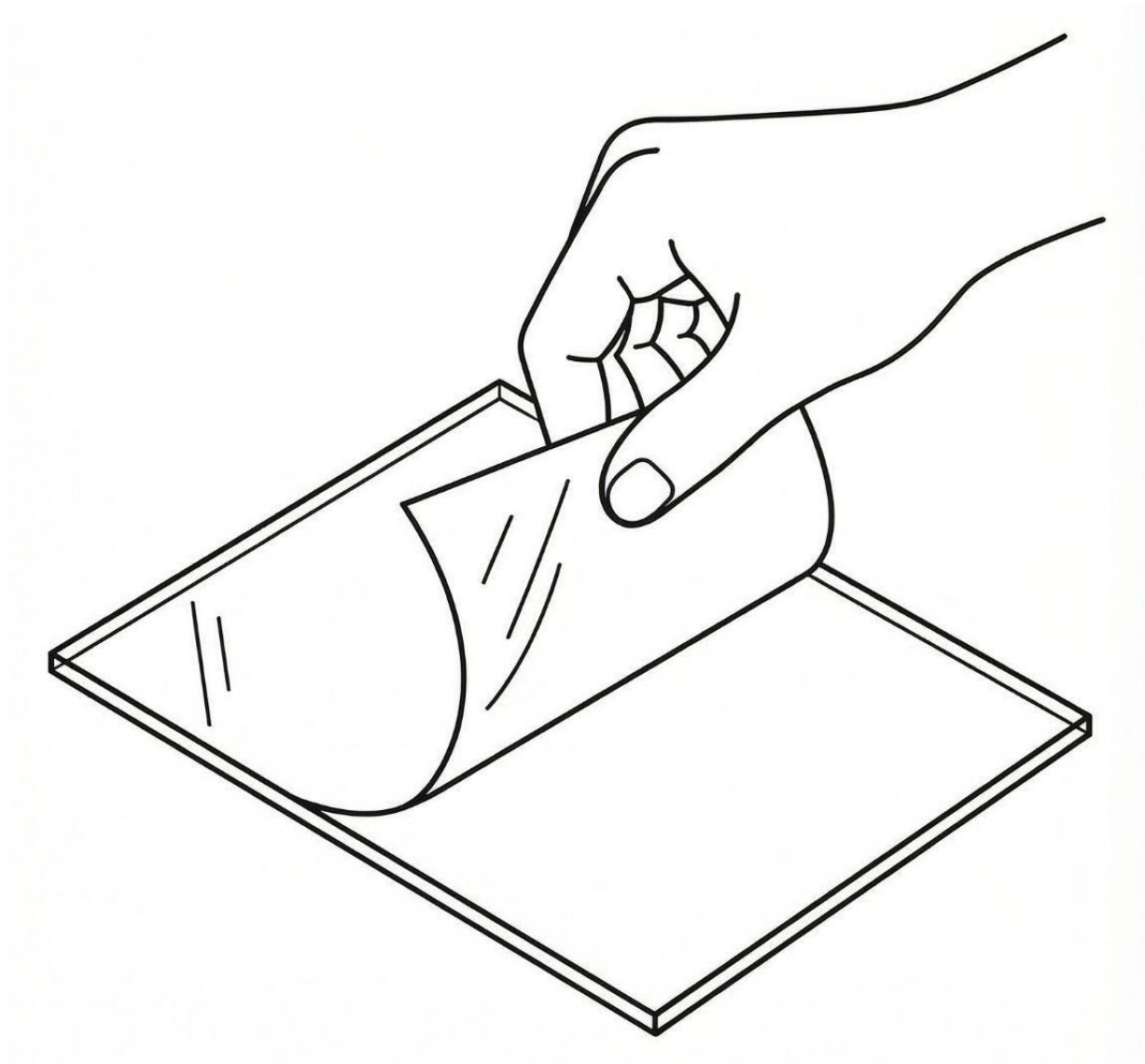


EXO 1 INSTALLATION GUIDE



m3x5mm x12		Mount the motherboard and graphics card
m3x12mm x16		Mount the bottom panel
m3x14mm x4		Mount the panel
#6-32x13mm UNC x8		Mount the power supply and radiator
10mm Standoffs x9		M/B Standoffs
6mm Standoffs x2		
m3x5mm x4		Mount the I/O & GPU Bracket



PLEASE REMOVE THE PROTECTIVE FILM

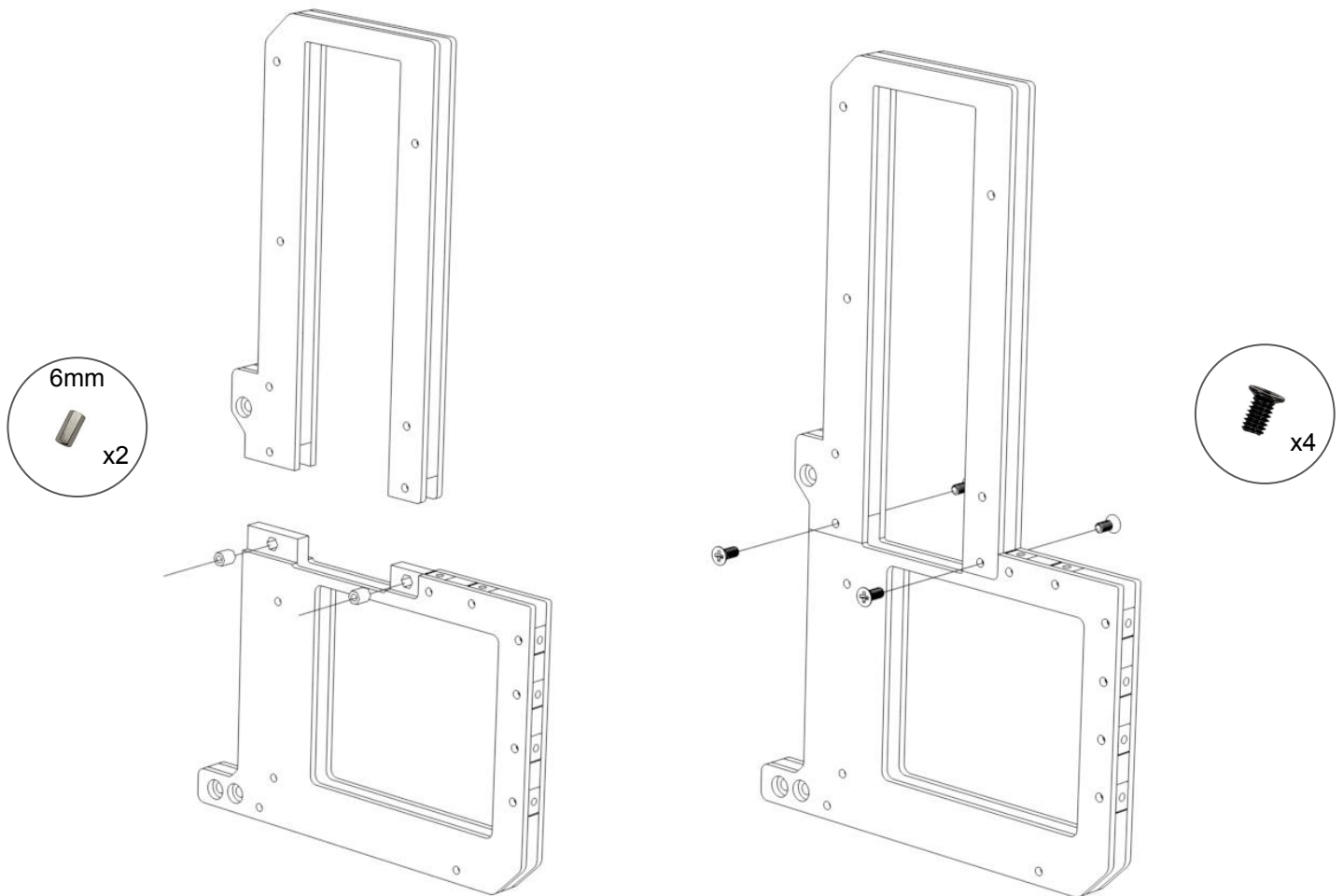
保護フィルムを剥がしてからご使用ください

請移除保護膜

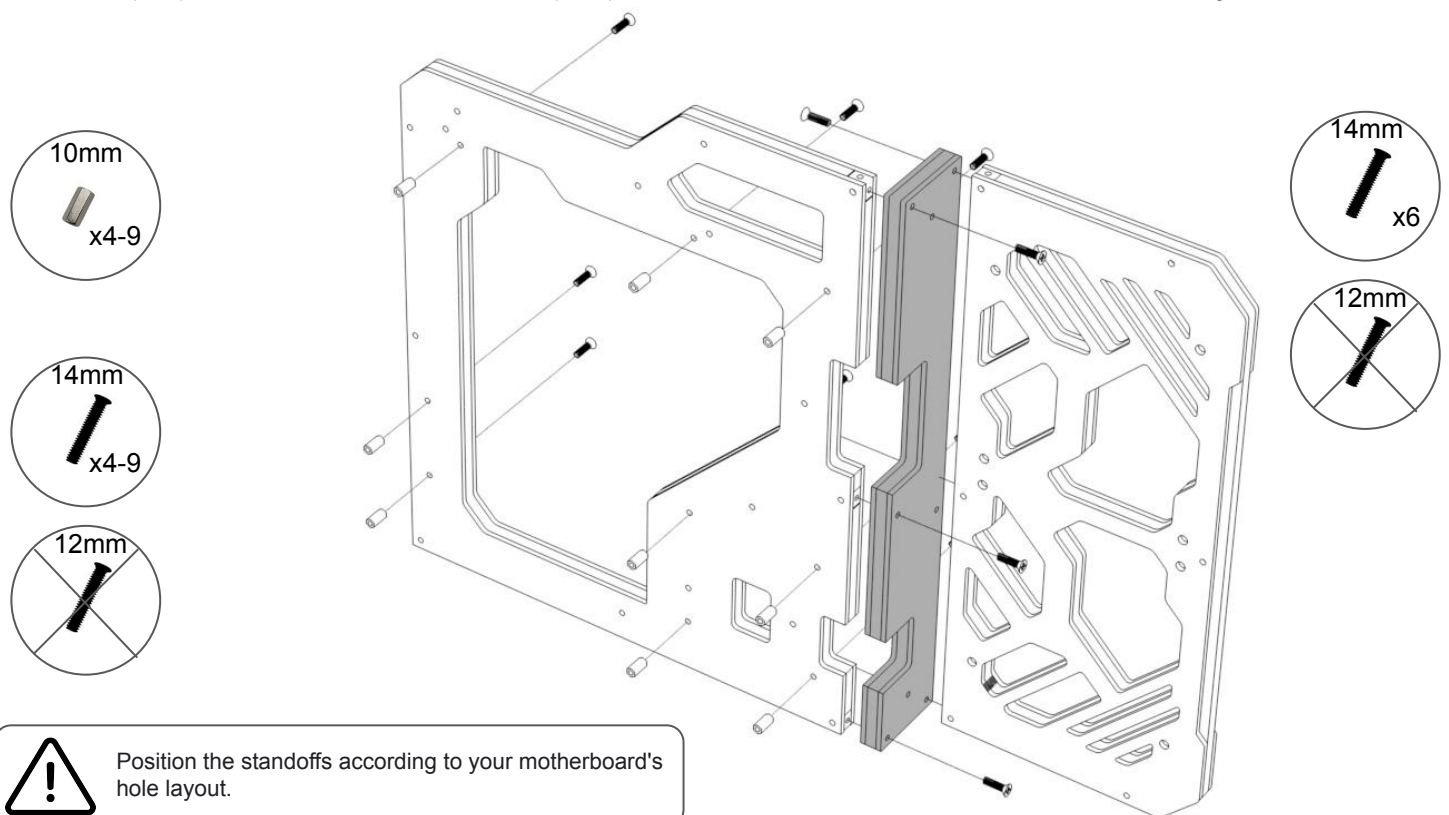
请移除保护膜

EXO 1 INSTALLATION GUIDE

Step 1 : I/O & GPU Bracket Assembly

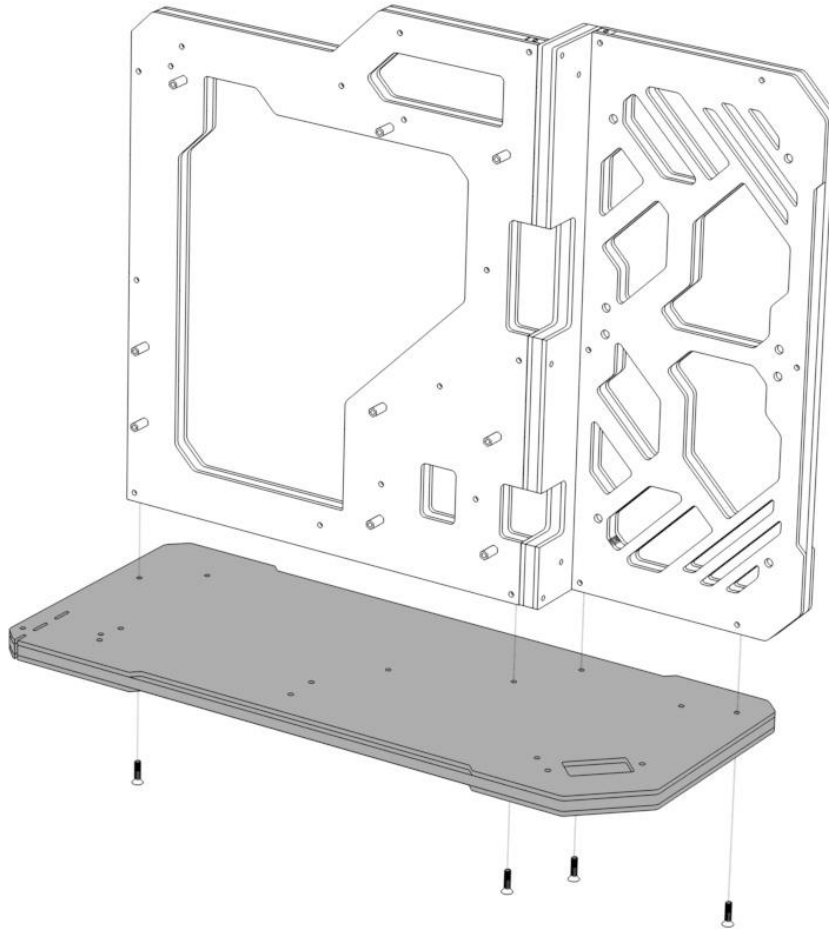


Step 2 : (2-1) Standoff Installation and (2-2) Motherboard & Radiator Bracket Assembly

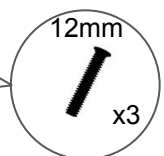
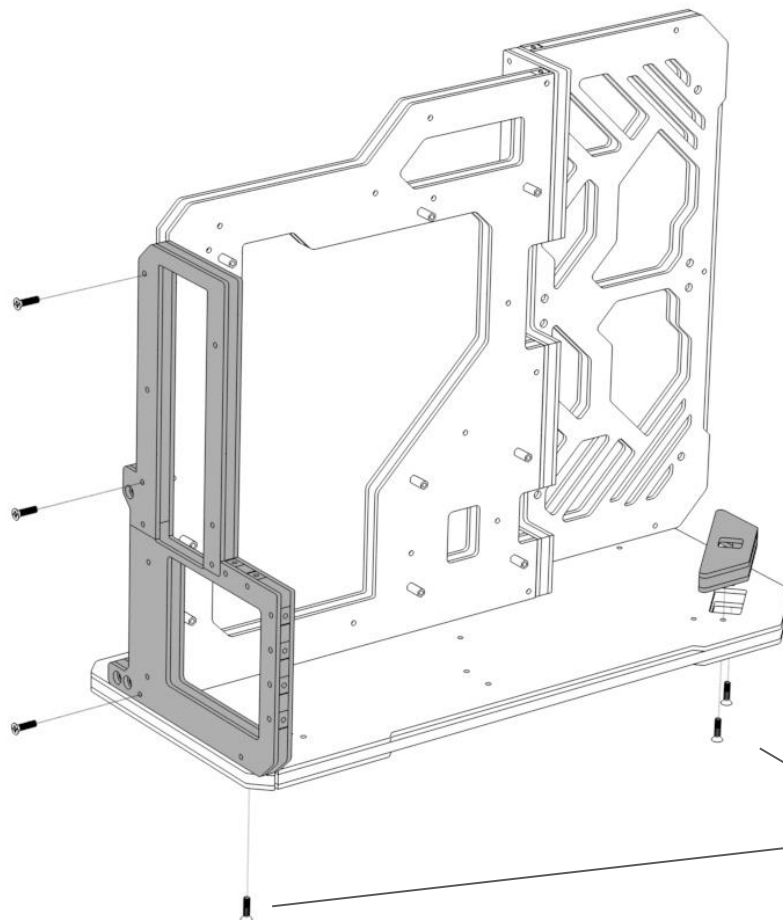


EXO 1 INSTALLATION GUIDE

Step 3 : Bottom Panel Assembly

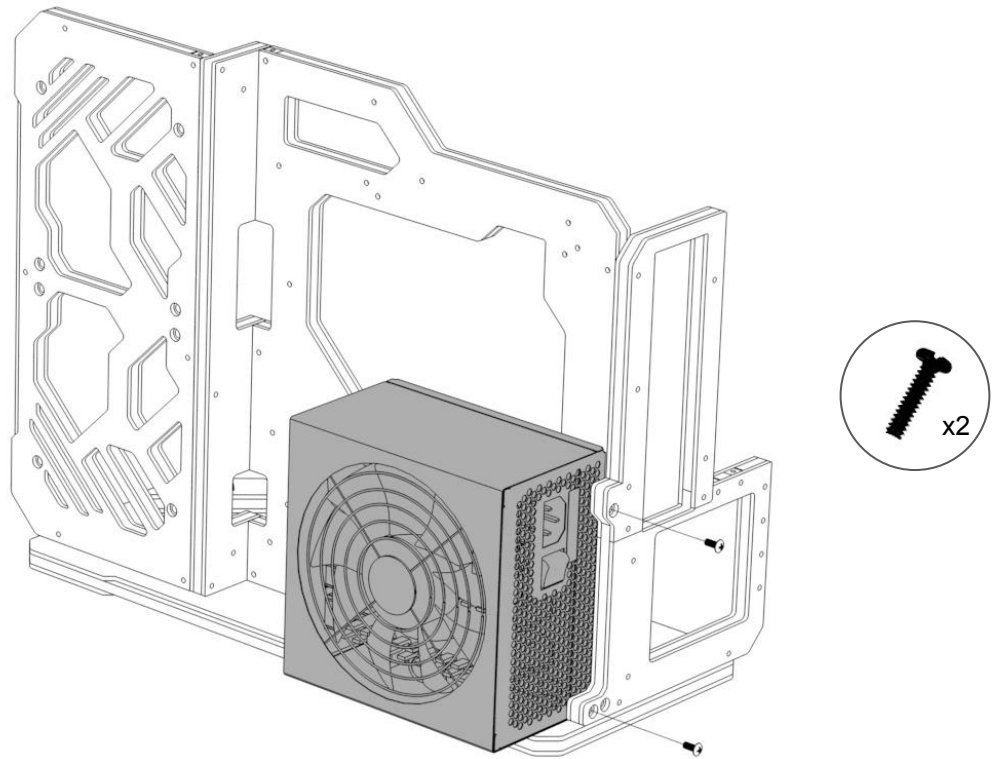


Step 4 : Rear Panel and Power Switch Assembly

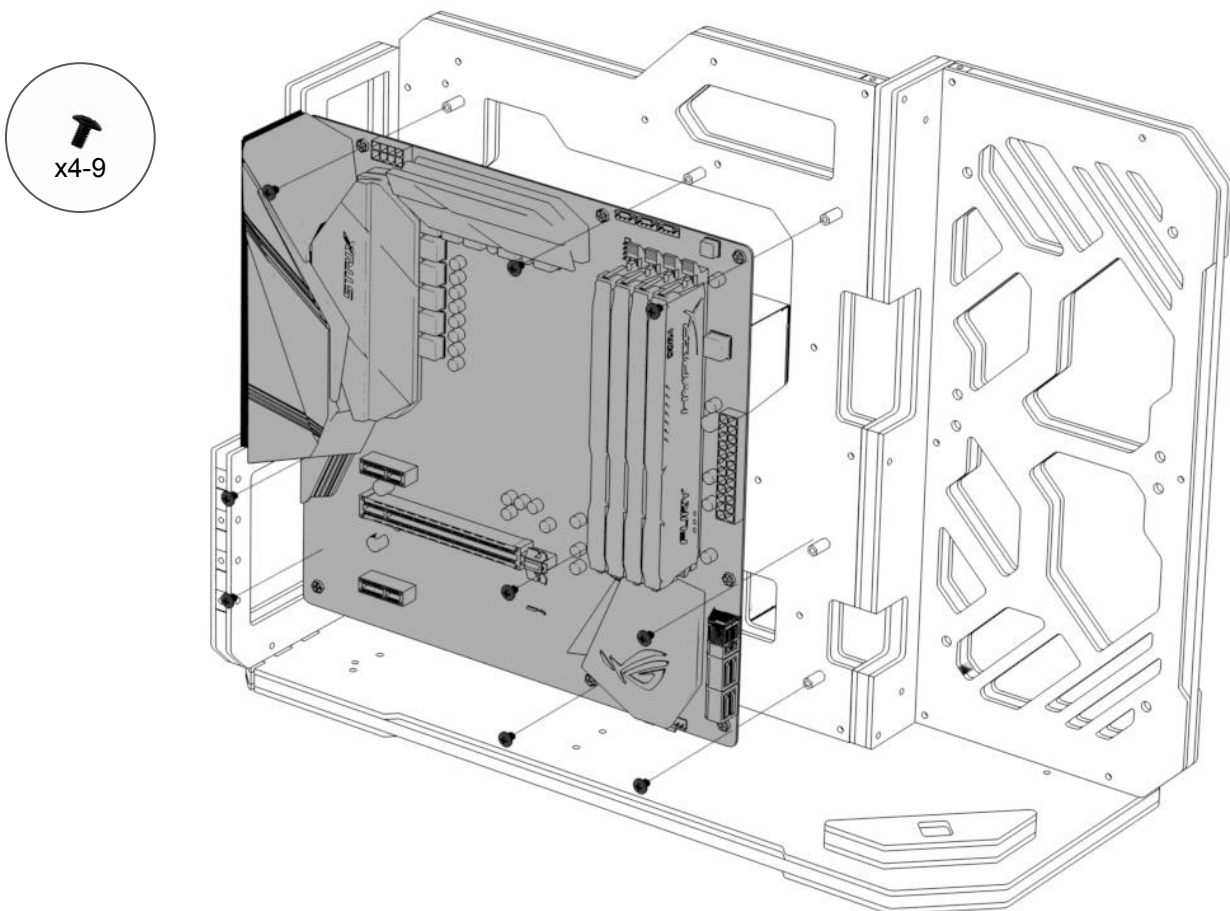


EXO 1 INSTALLATION GUIDE

Step 5 : PSU (Power Supply Unit) Installation

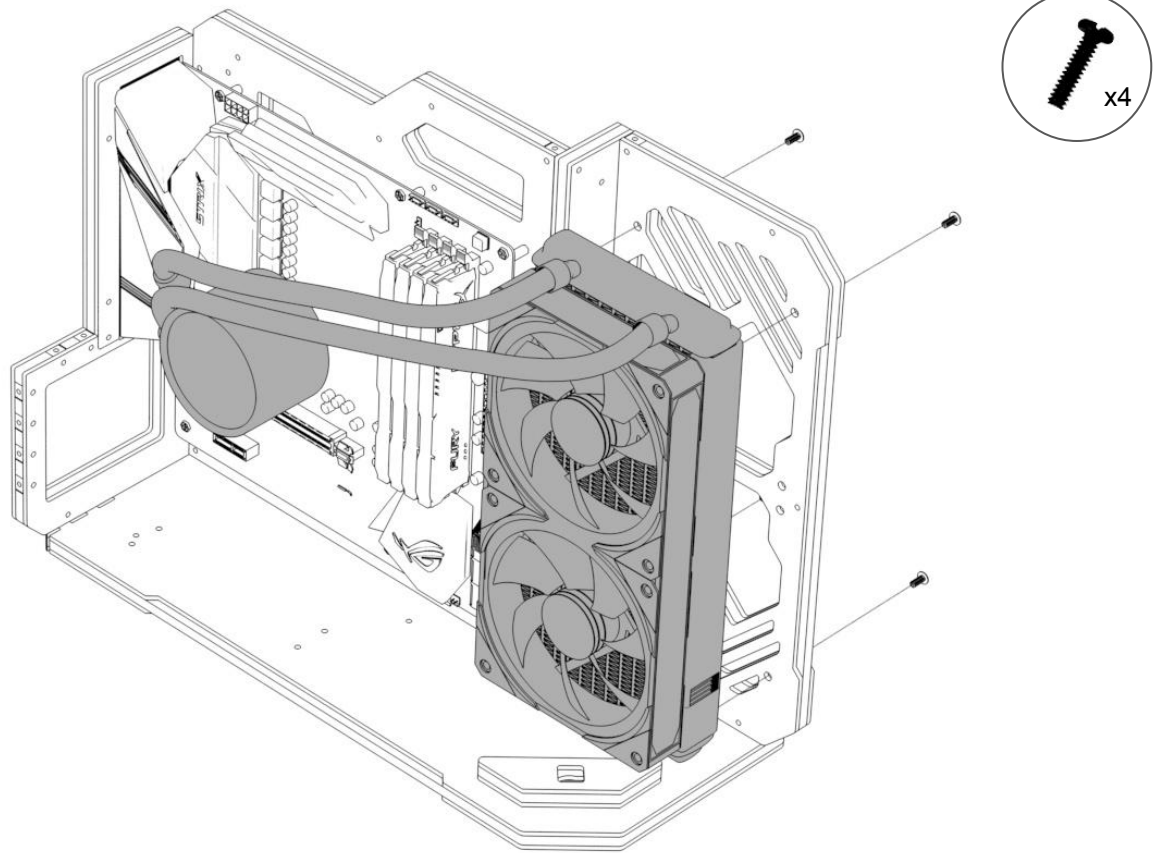


Step 6 : Motherboard Installation



EXO 1 INSTALLATION GUIDE

Step 7 : AIO (All-In-One) Liquid Cooler Installation



Step 8 : Graphics Card (GPU) Installation

