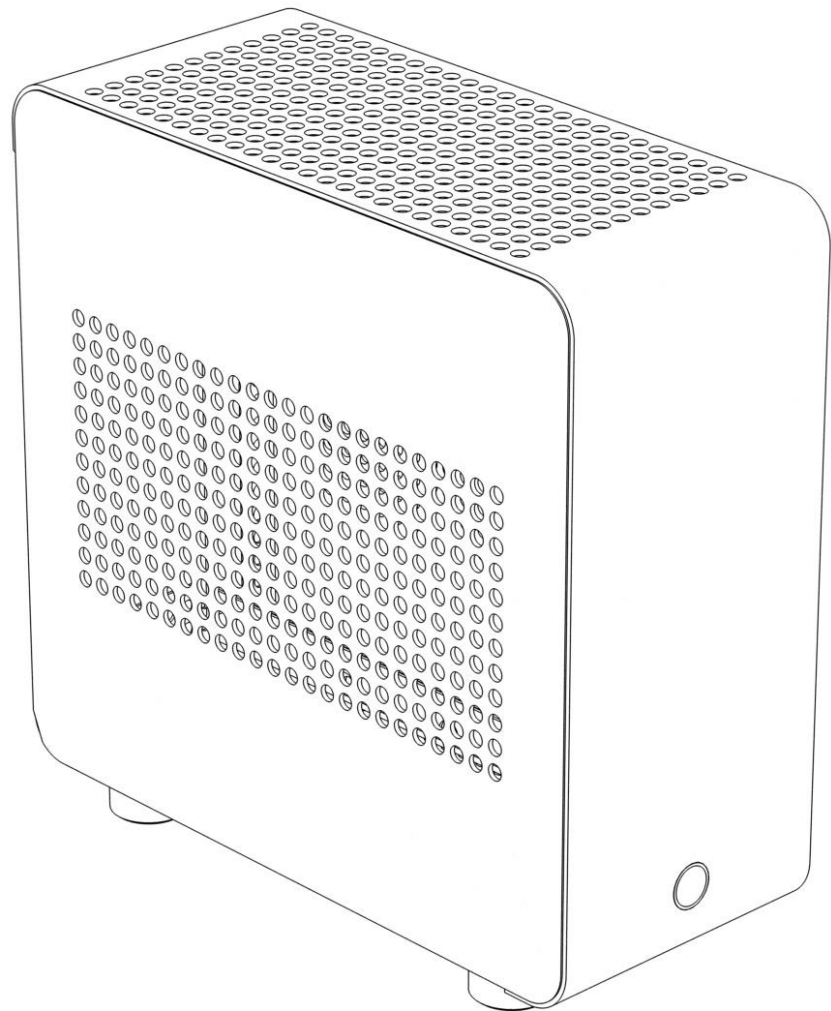


GEEK

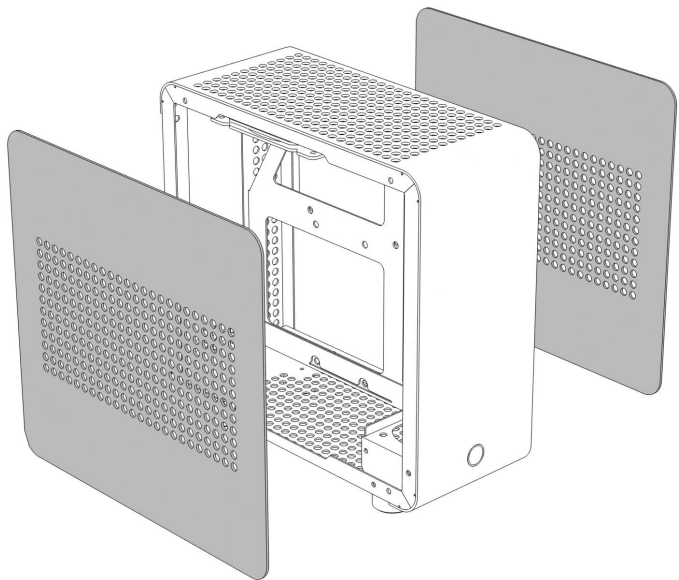
G4

INSTALLATION GUIDE



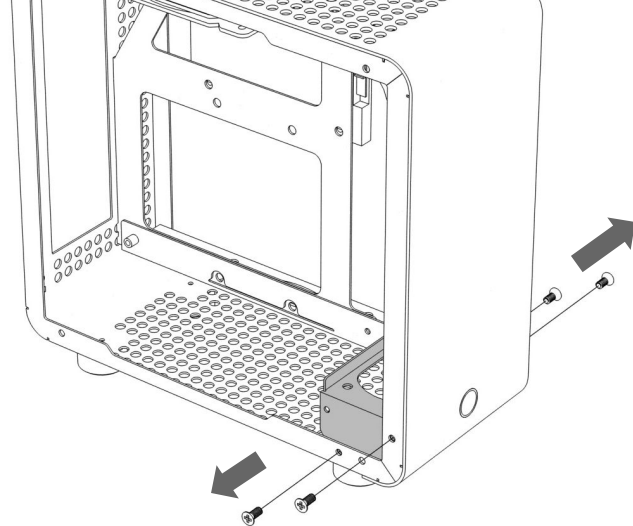
01

- Remove side panels / 移除側板



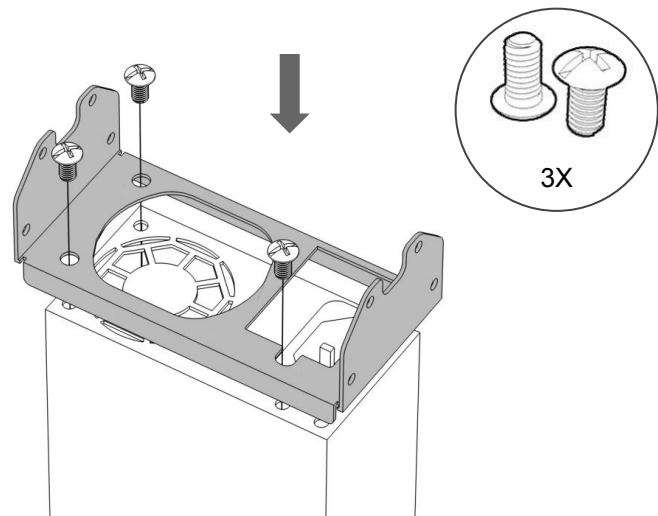
02

- Remove the power supply bracket / 移除電源支架



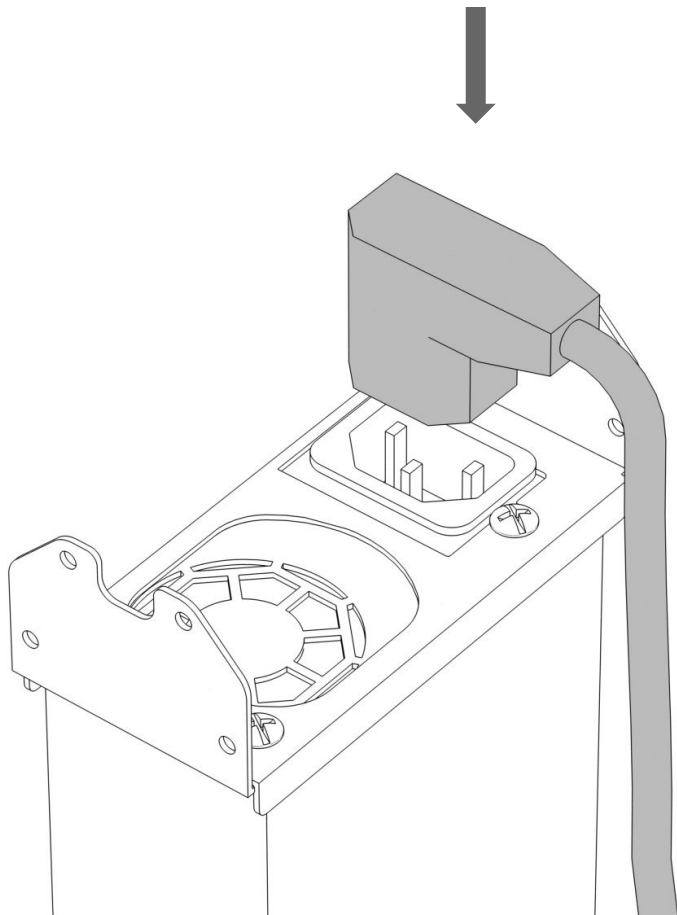
03

- Install the power supply bracket on power supply / 安裝電源支架到電源供應器



04

■ Install the power supply extension cable / 安裝電源延長線

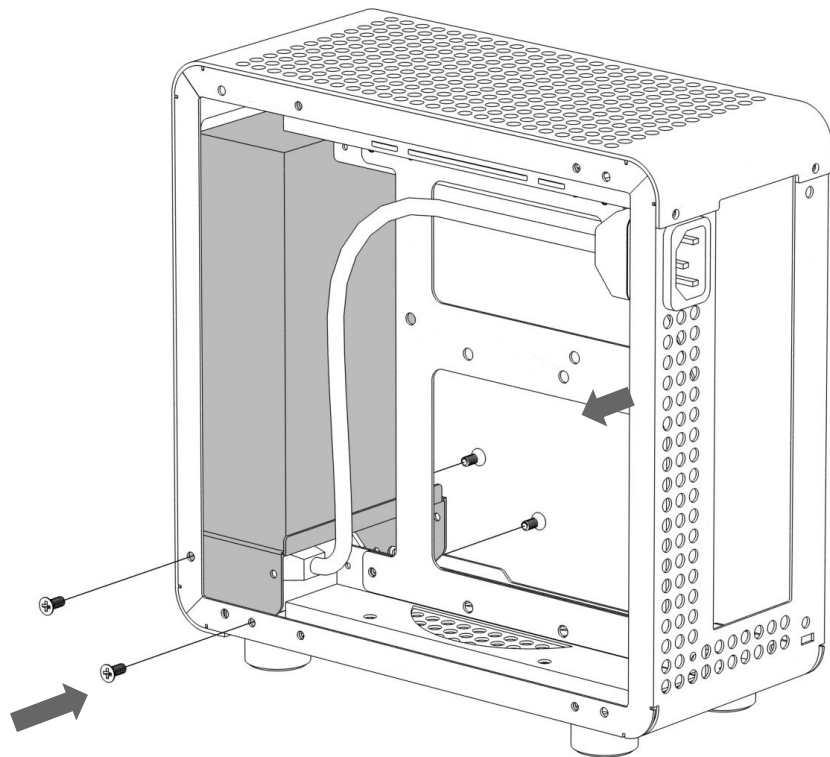


05

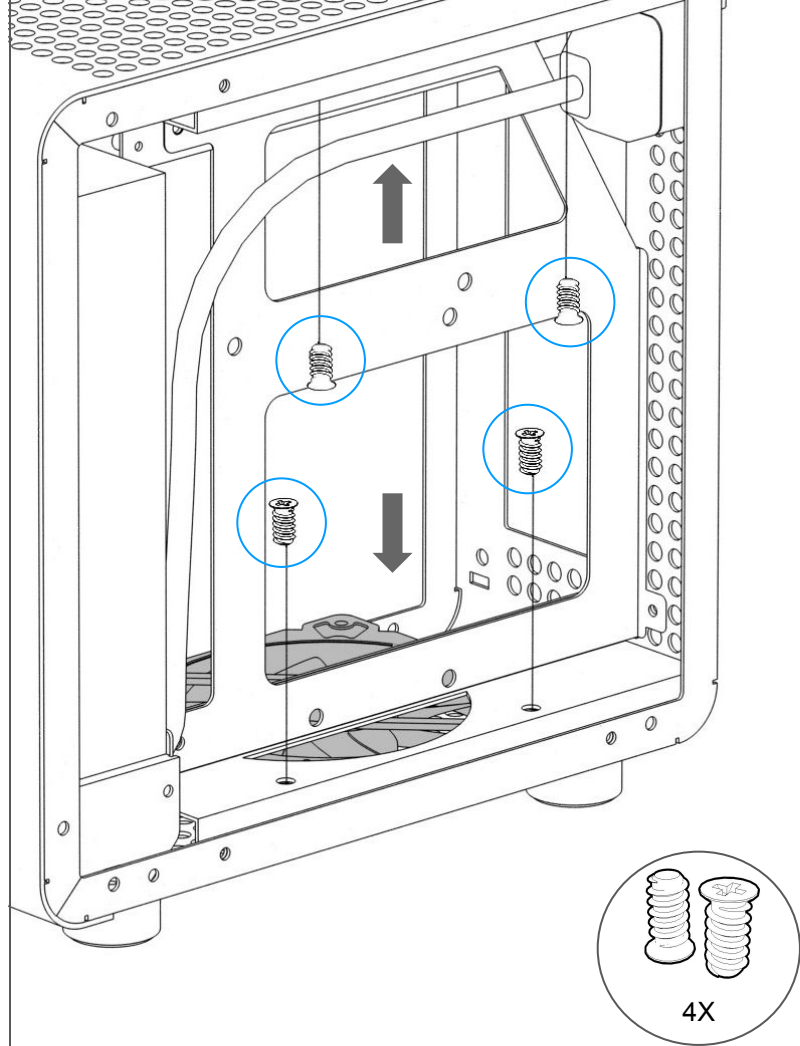
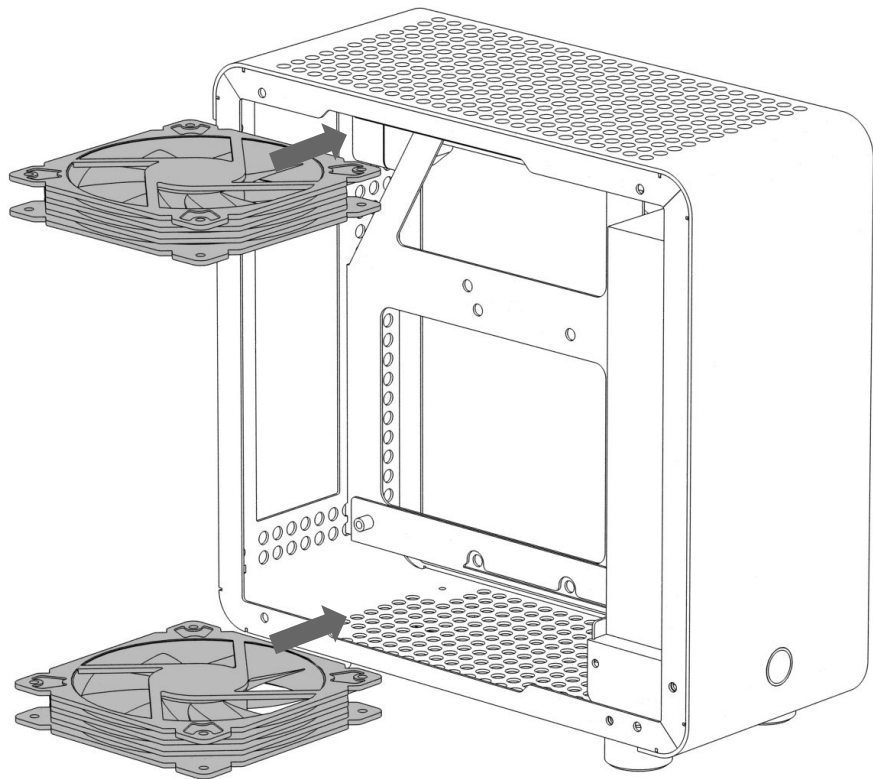
■ Mount the power supply / 安裝電源(含電源支架)到機殼



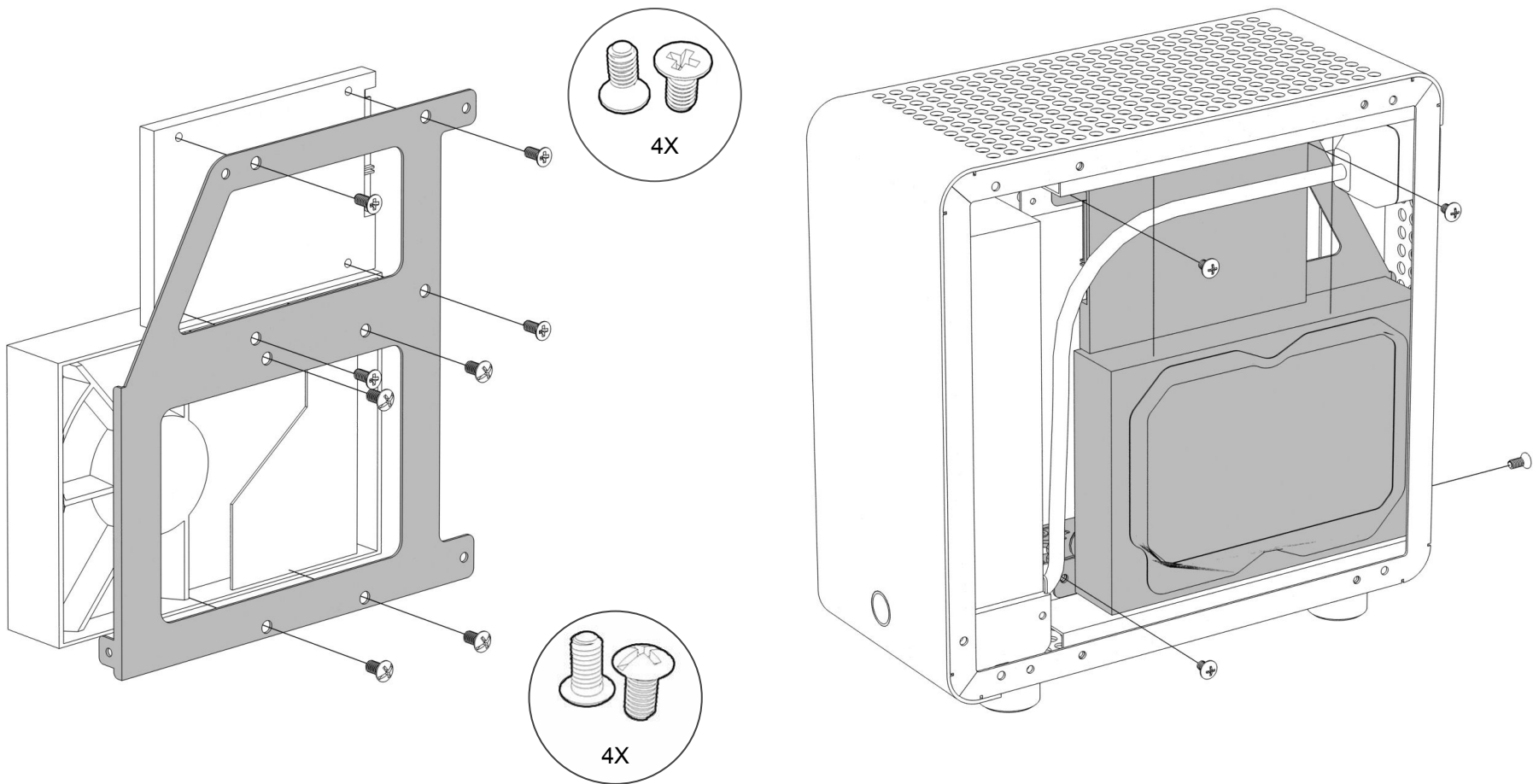
Please remove the fan and motherboard bracket before installing the power supply.
注意：請先移除風扇及主板支架再安裝電源。



■ Install the case fans (*Optional) / 安裝機殼風扇(選擇性安裝)



■ Install 2.5" SSD and 3.5" HDD (*Optional) / 安裝2.5"及3.5"硬碟(選擇性安裝)

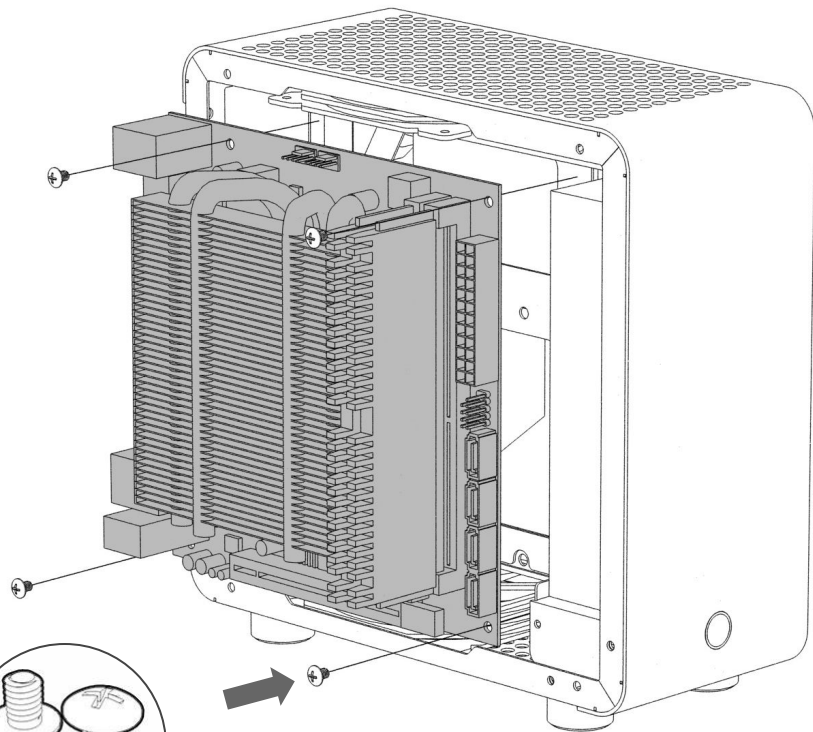


08



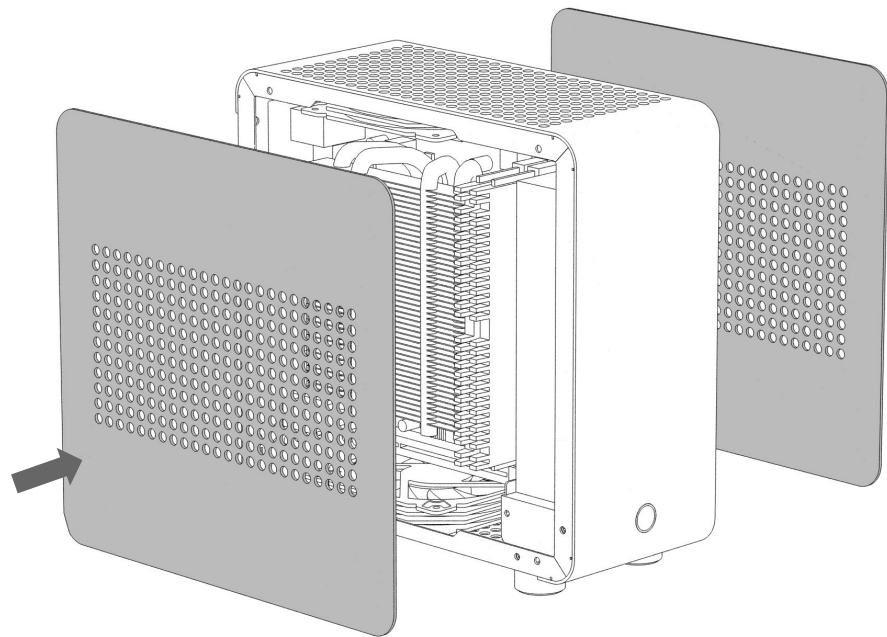
Please install the power switch connector and LED connector to the motherboard before installing the motherboard into the chassis.

■ Install the motherboard / 安裝主機板



09

■ Complete / 完成



4X