

B20

INSTALLATION GUIDE

Table of Contents / 目錄

01

Horizontal Mode Build / 標準模式組裝

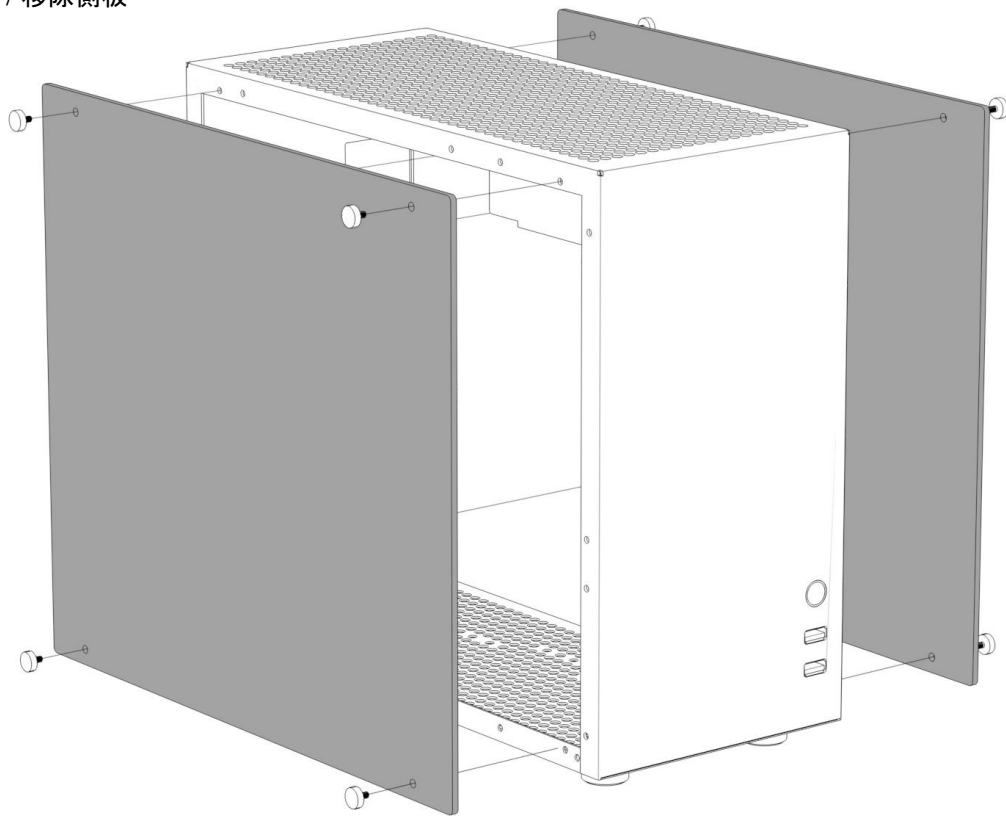
11

Vertical Mode Build / 空冷模式組裝

01

Horizontal Mode

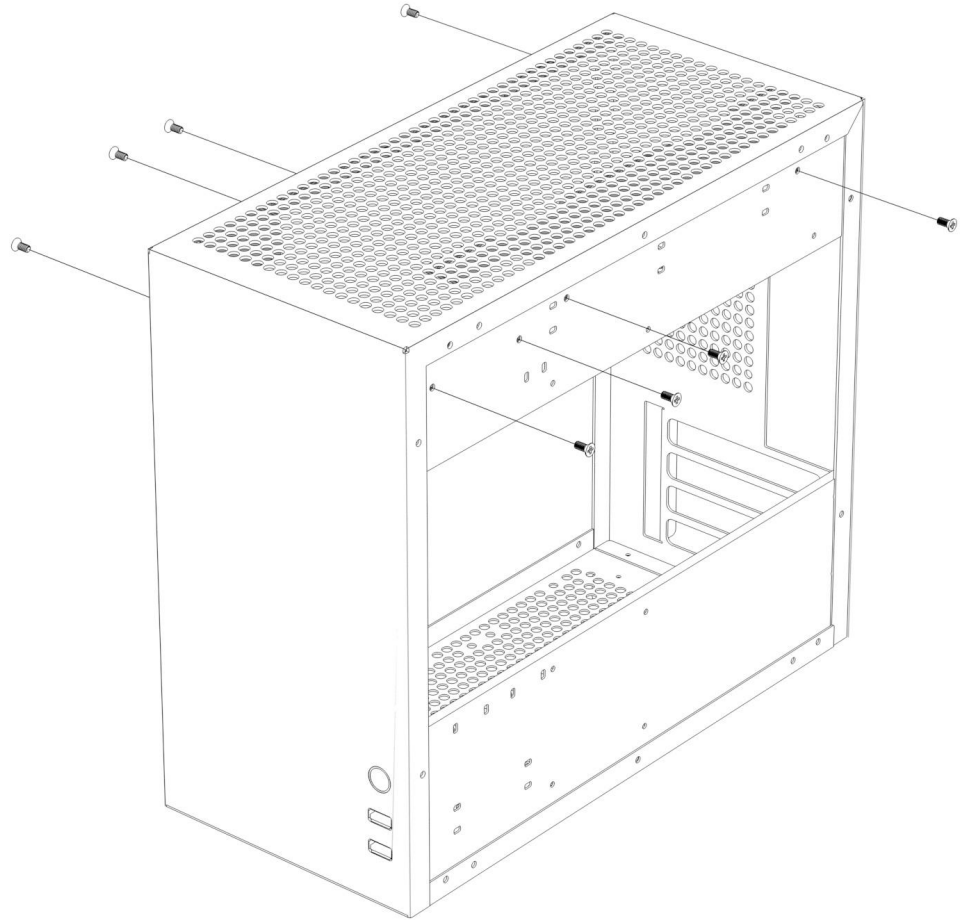
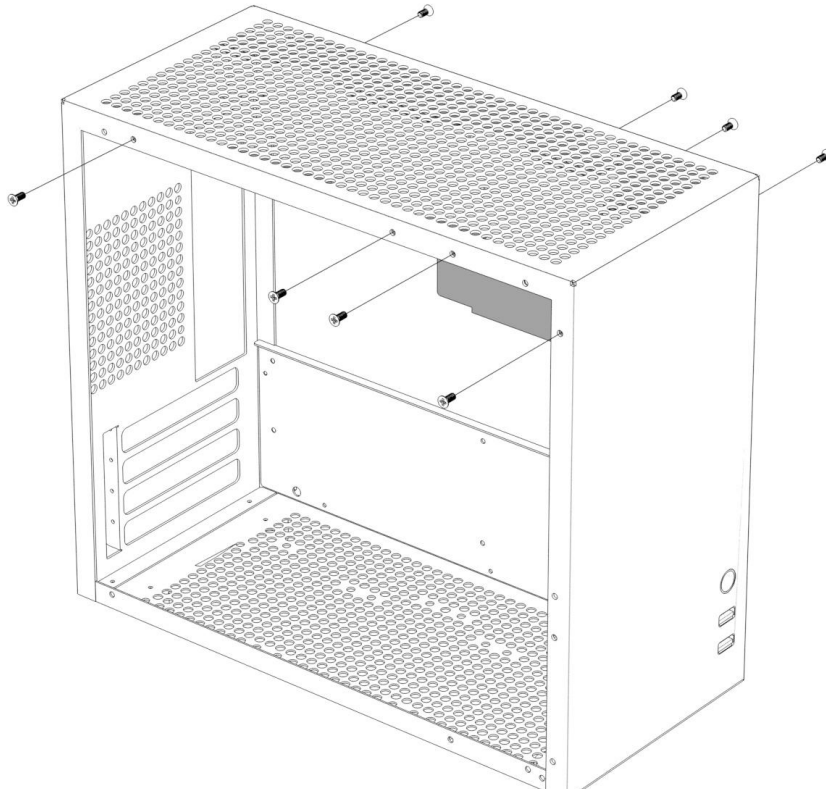
Remove the Side Panel / 移除側板



02

Horizontal Mode

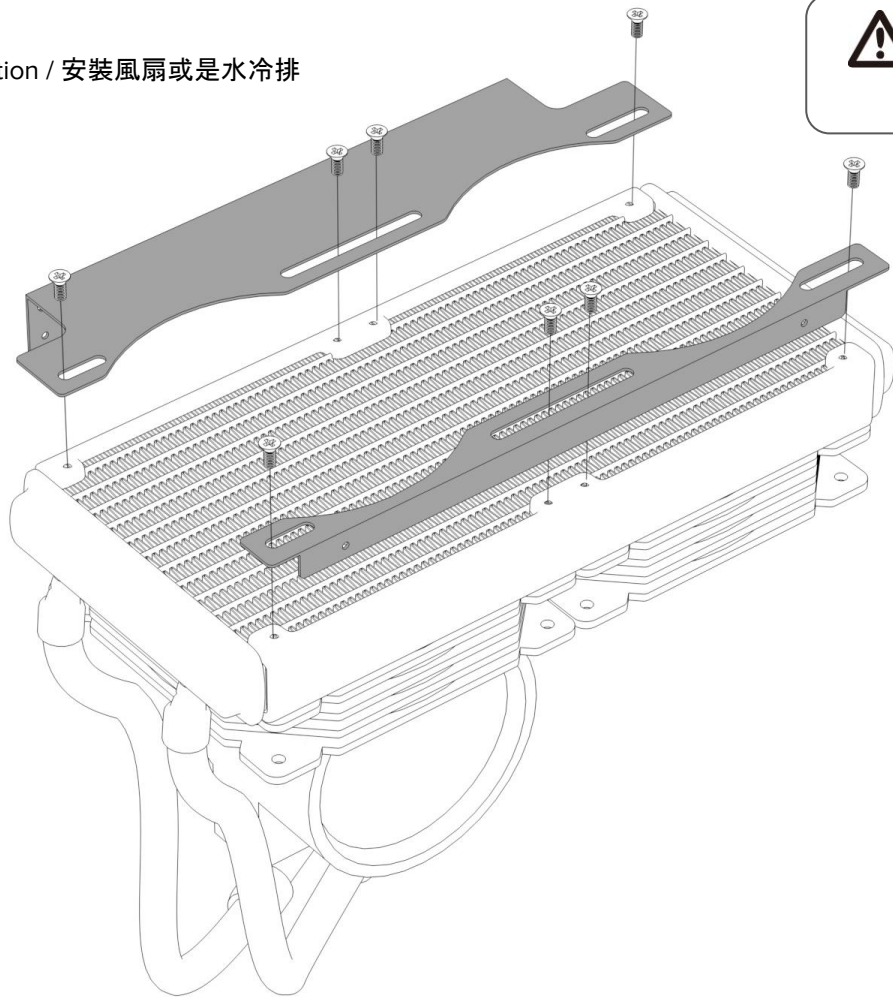
Remove the Top Fan Bracket and PSU Bracket / 移除上方風扇
支架及電源支架



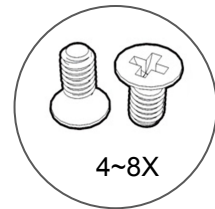
03

Horizontal Mode

Case Fan or Radiator Installation / 安裝風扇或是水冷排



There are two specs. for the water cooling radiator: M3 and #6-32. Please choose the right screw with your water cooling radiator. 水冷排螺絲規格有 M3及#6-32兩種規格, 請依自己冷排需求選擇適合的螺絲。

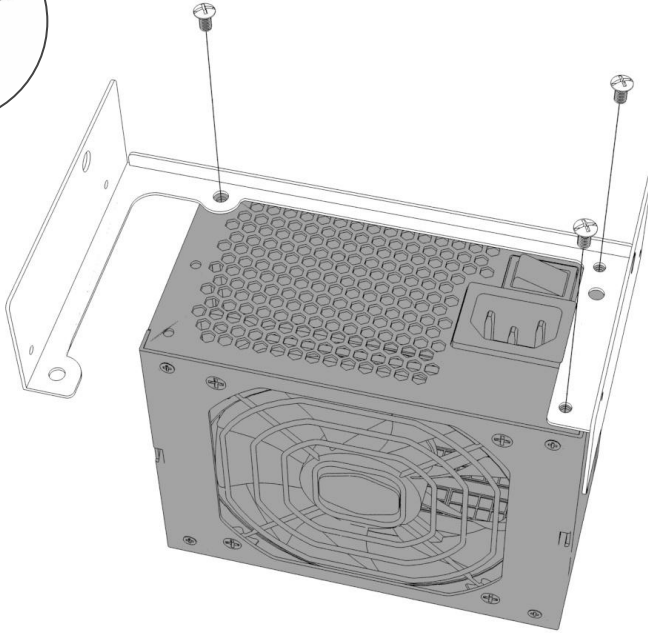
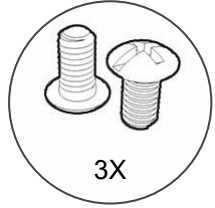


04

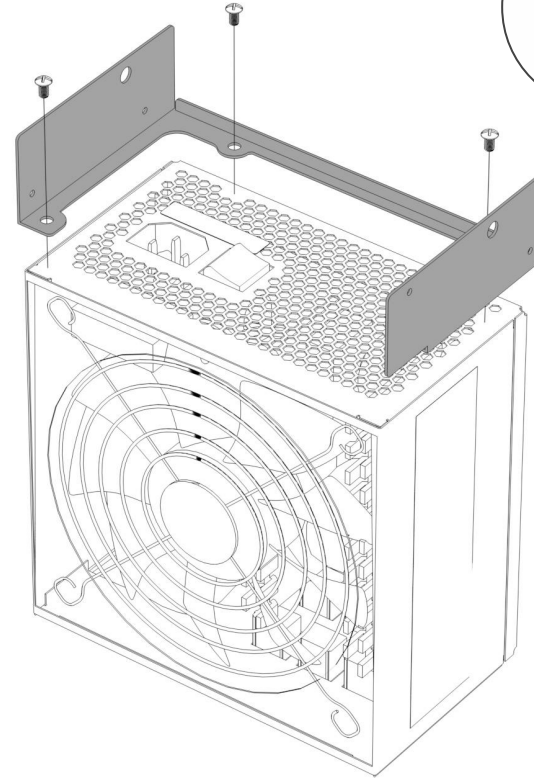
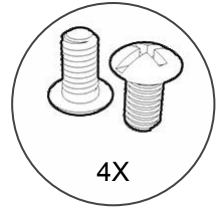
Horizontal Mode

PSU Installation / 安裝電源供應器

SFX / SFX-L PSU



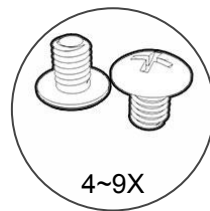
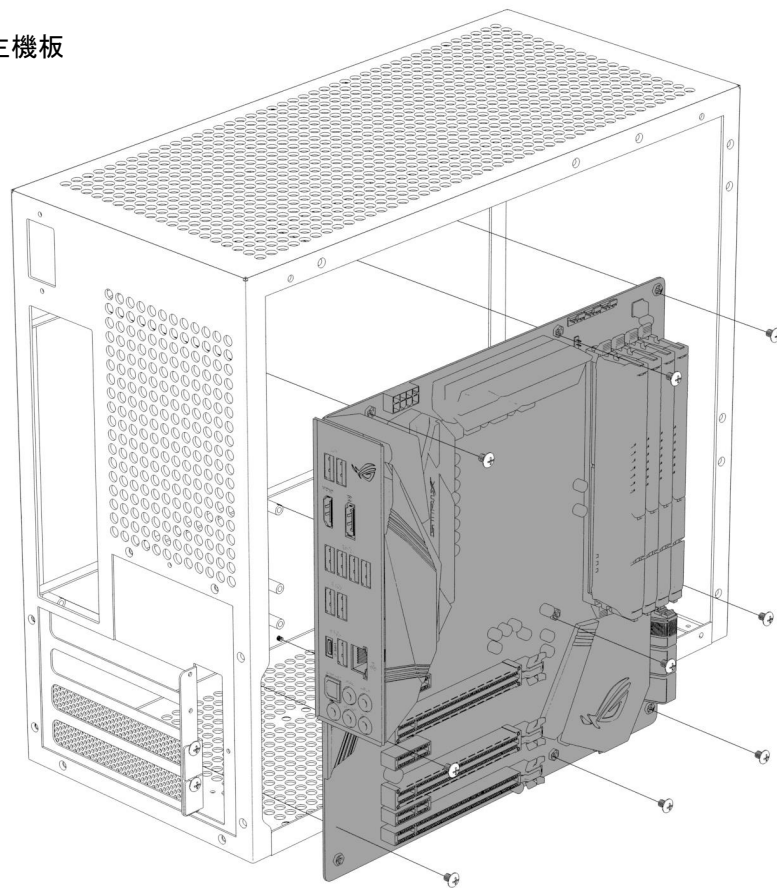
ATX PSU



05

Horizontal Mode

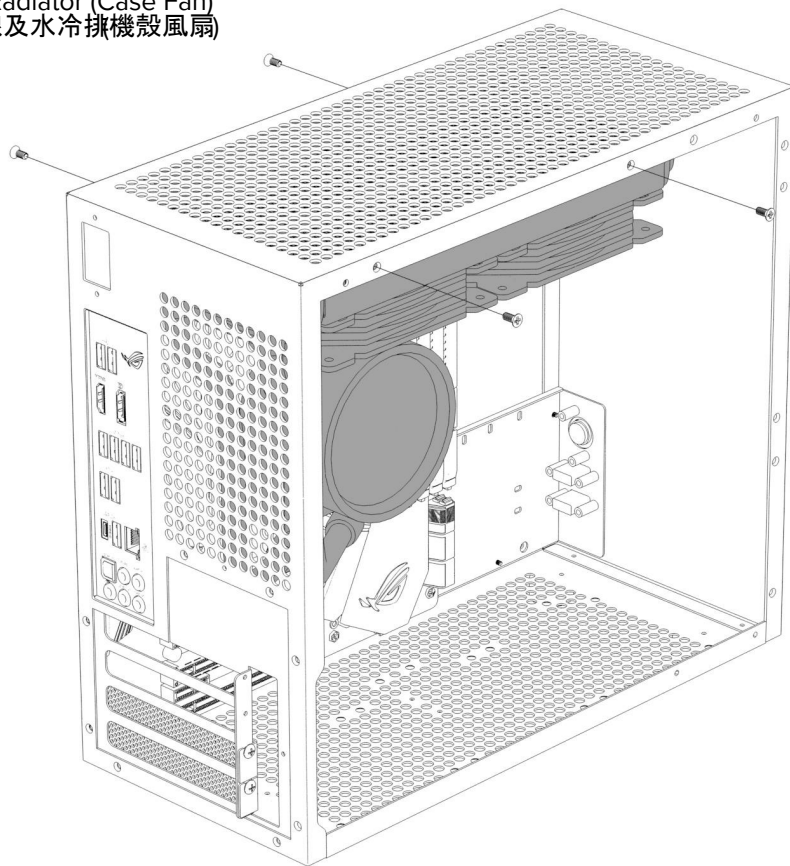
Motherboard Installation / 安裝主機板



06

Horizontal Mode

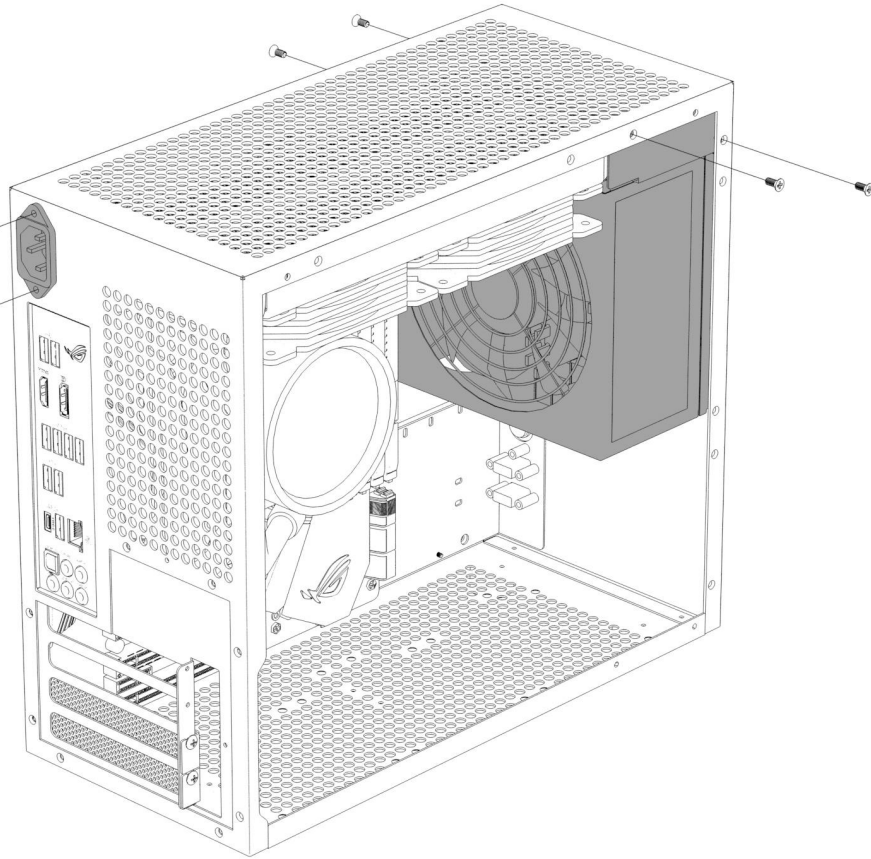
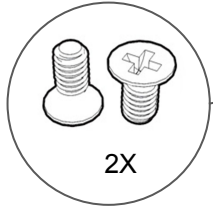
Power Extension Cord and Radiator (Case Fan)
Installation / 安裝電源延長線及水冷排機殼風扇



07

Horizontal Mode

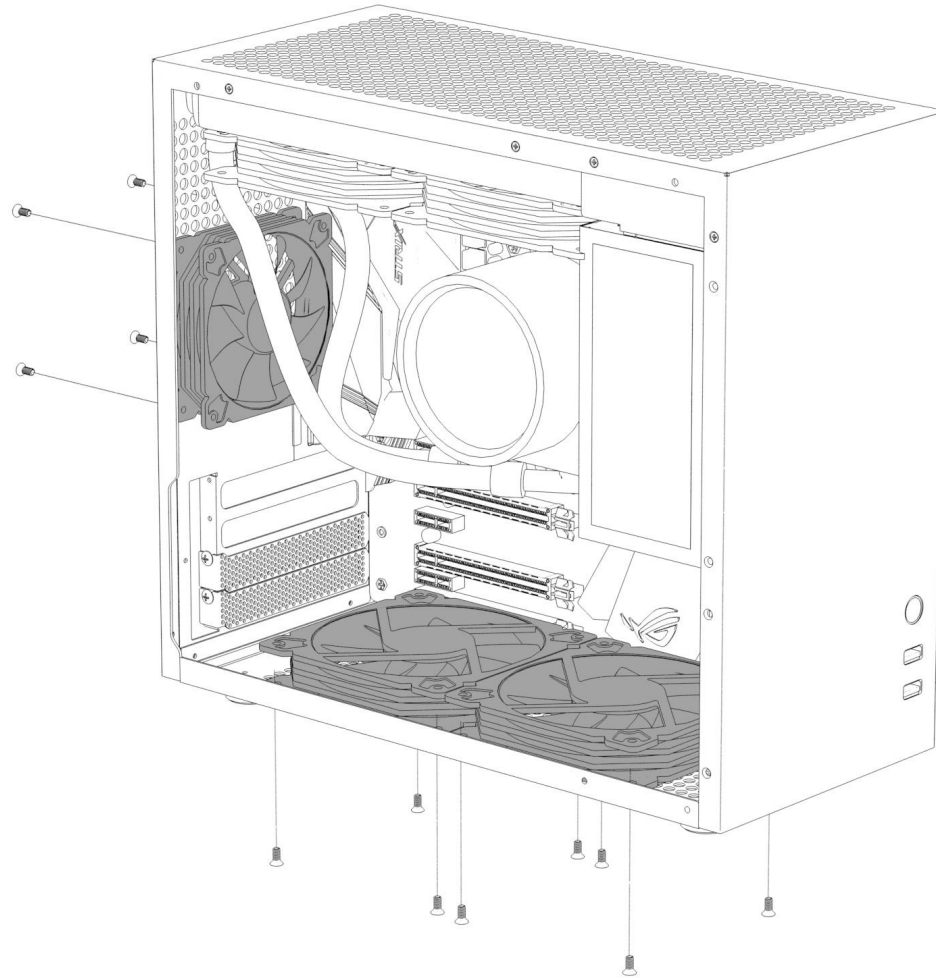
PSU Installation / 安裝電源供應器



08

Horizontal Mode

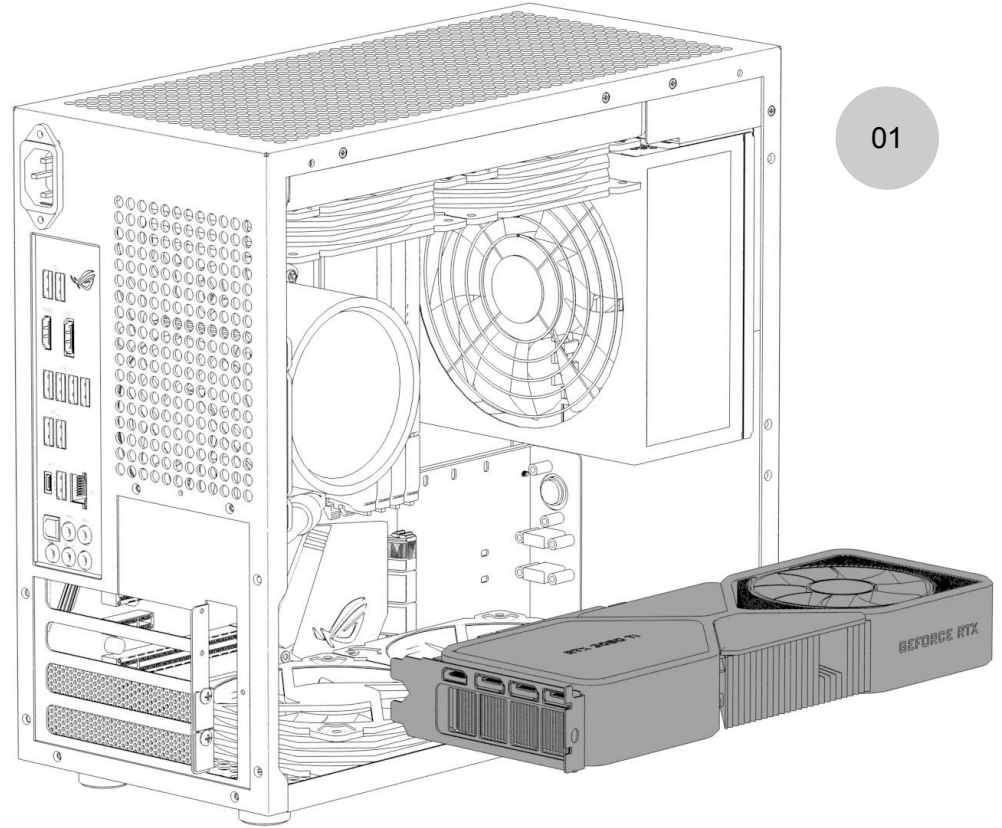
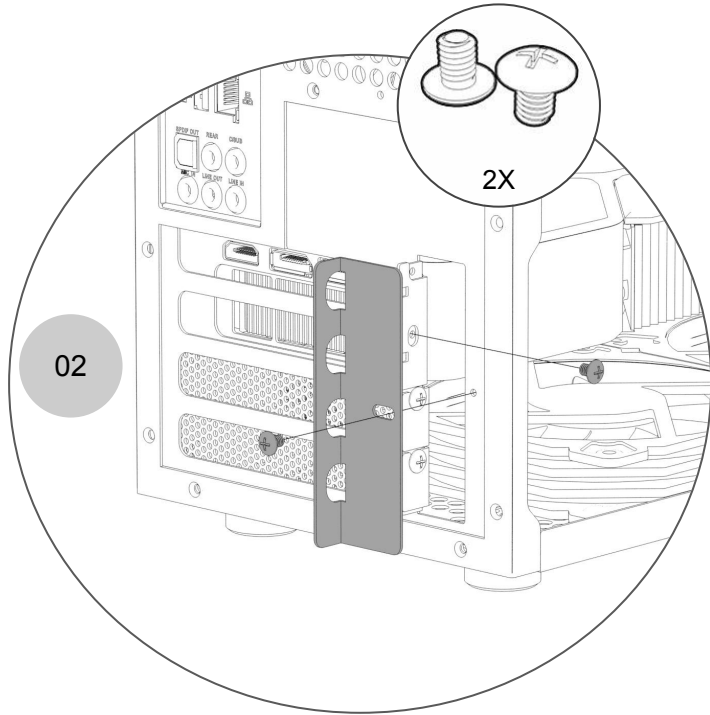
Case Fan Installation / 安裝風扇



09

Horizontal Mode

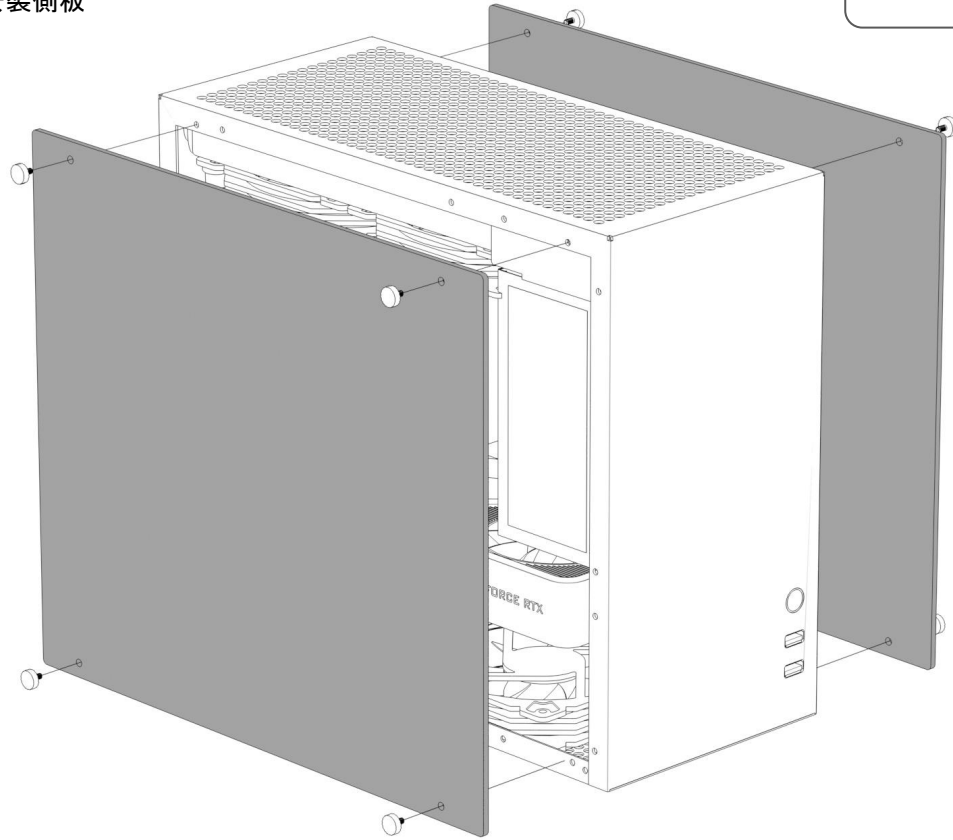
GPU installation / 安裝顯示卡



10

Vertical Mode

Side Panel Installation / 安裝側板

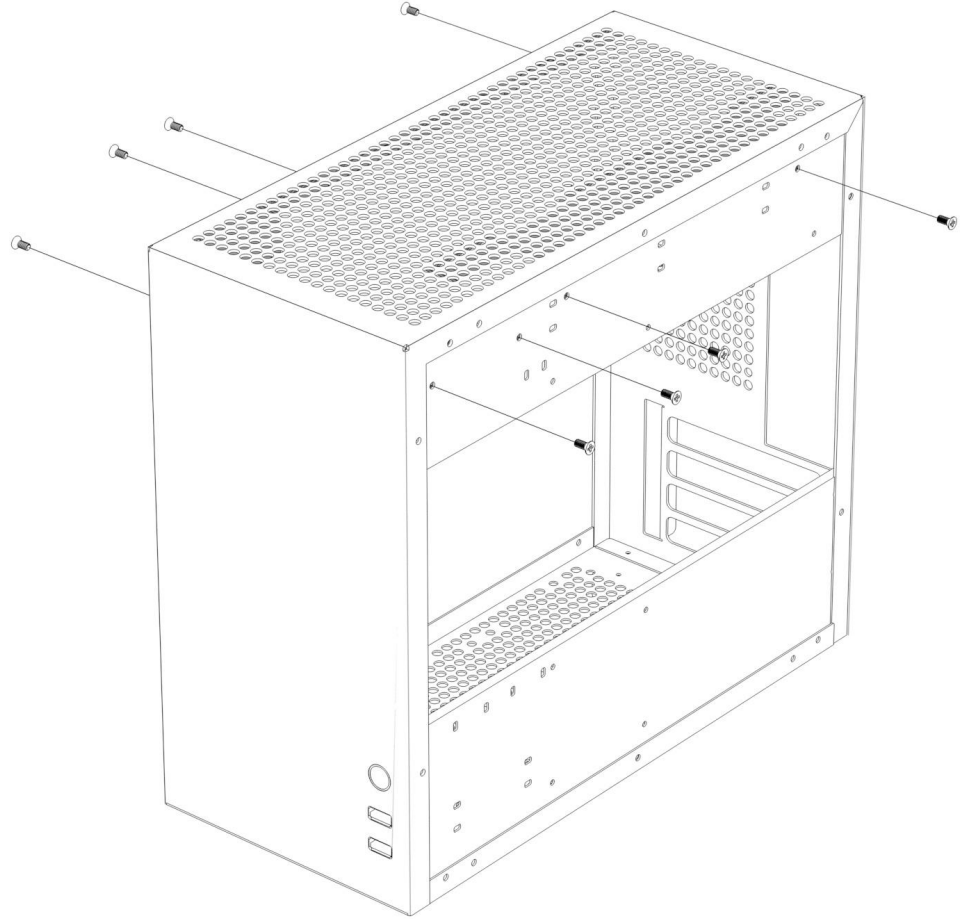
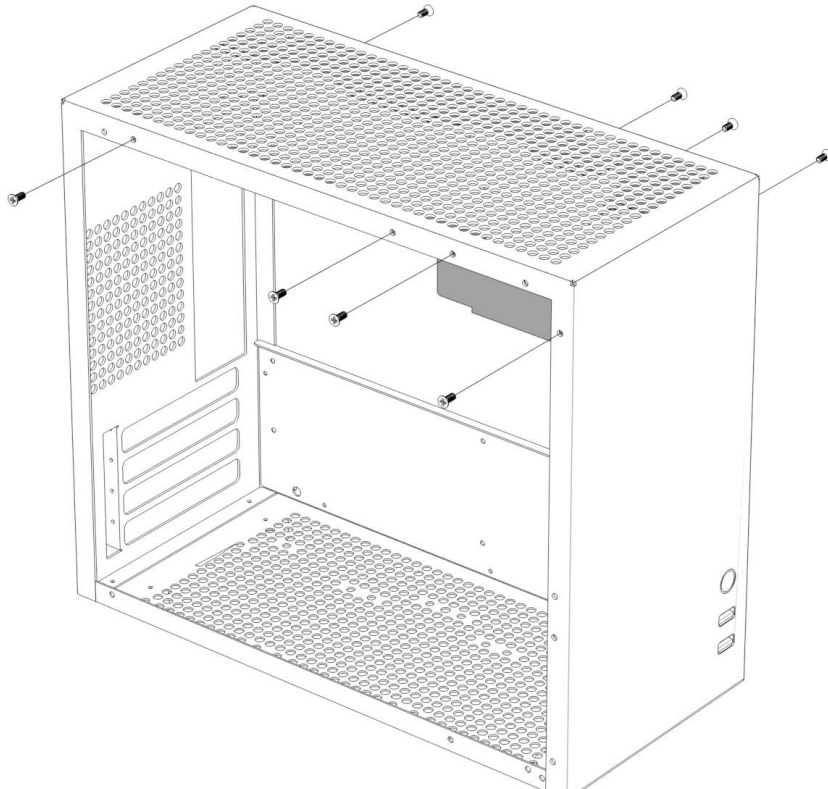


There are protective films on the both sides of side panels, please remove them before use. / 側板雙面都有保護膜, 請移除後再安裝

11

Vertical Mode

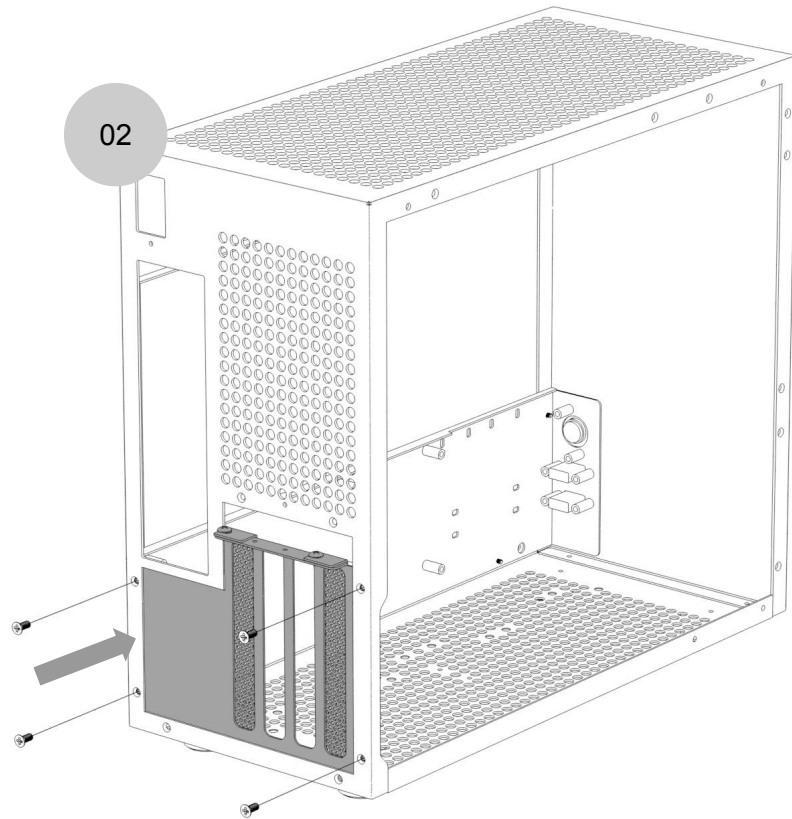
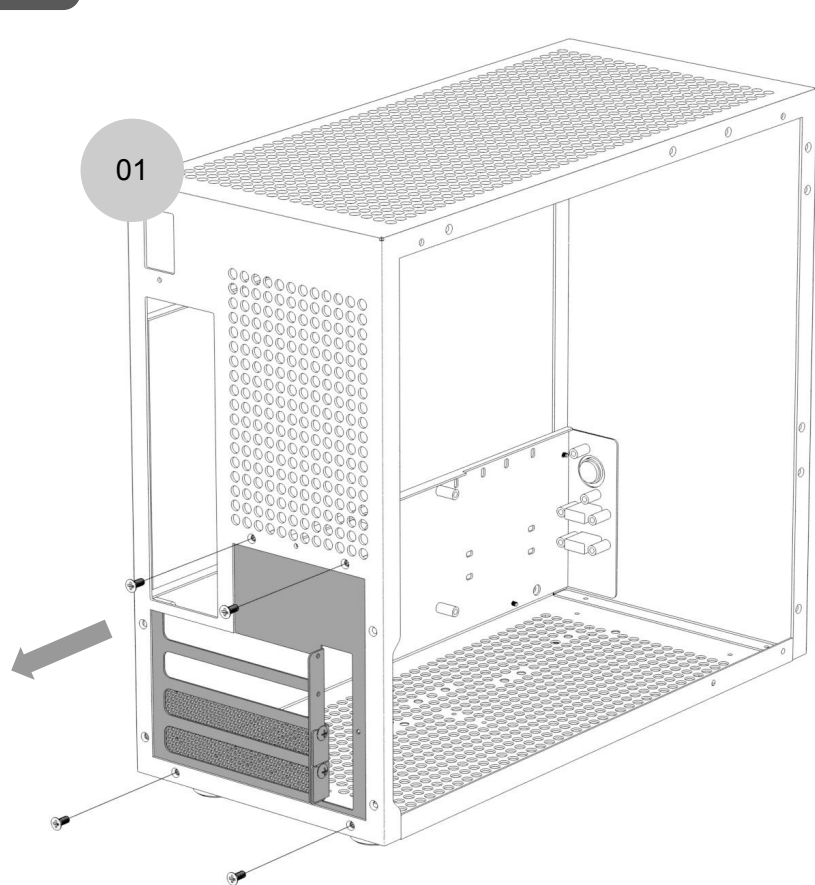
Remove the Top Fan Bracket and PSU Bracket / 移除上方風扇
支架及電源支架



12

Vertical Mode

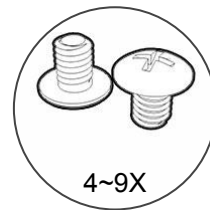
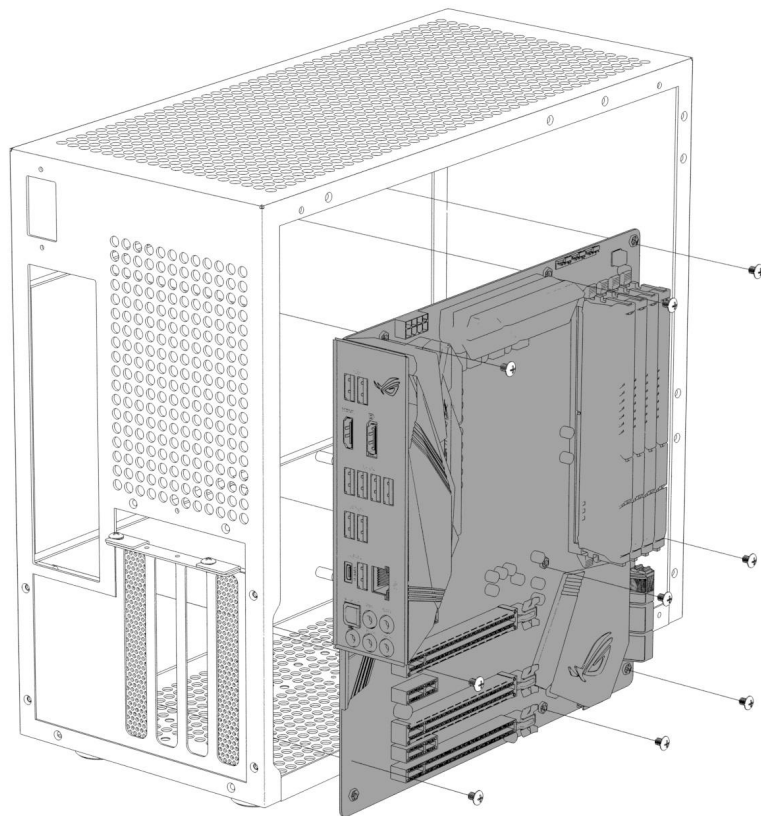
Adjust the GPU to vertical mode / 調整至顯卡直立模式



13

Vertical Mode

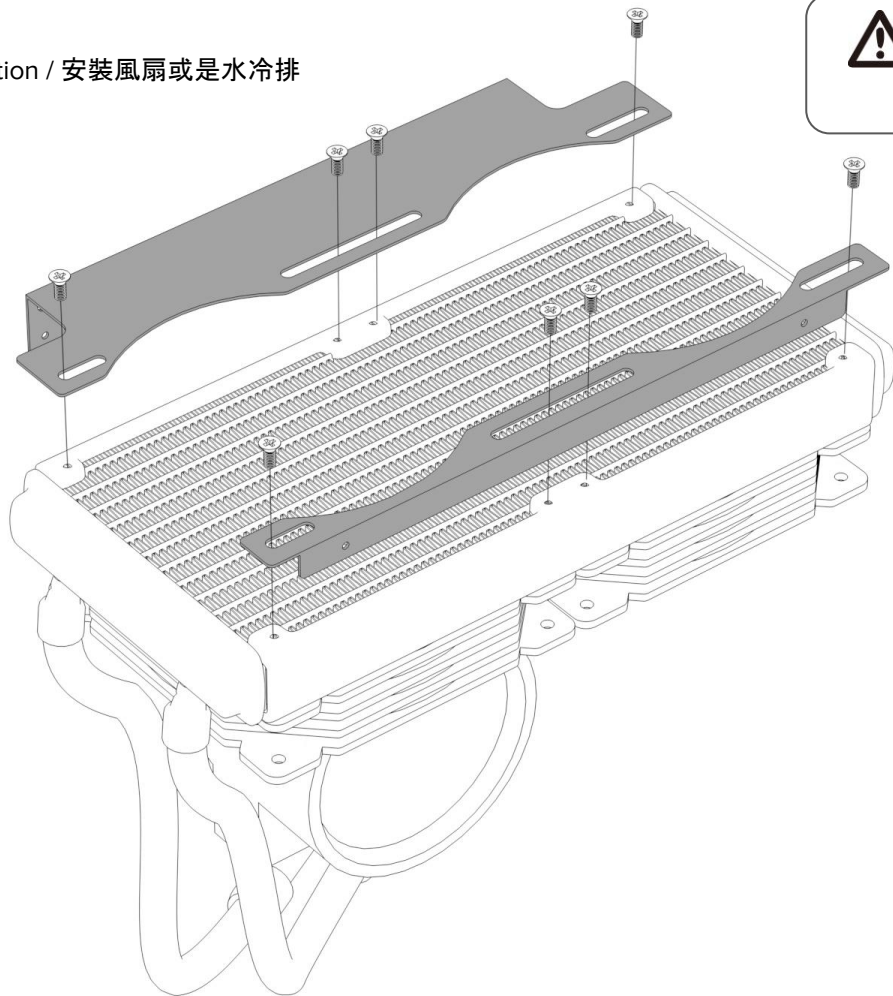
Motherboard Installation / 安裝主機板



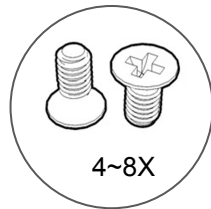
14

Vertical Mode

Case Fan or Radiator Installation / 安裝風扇或是水冷排



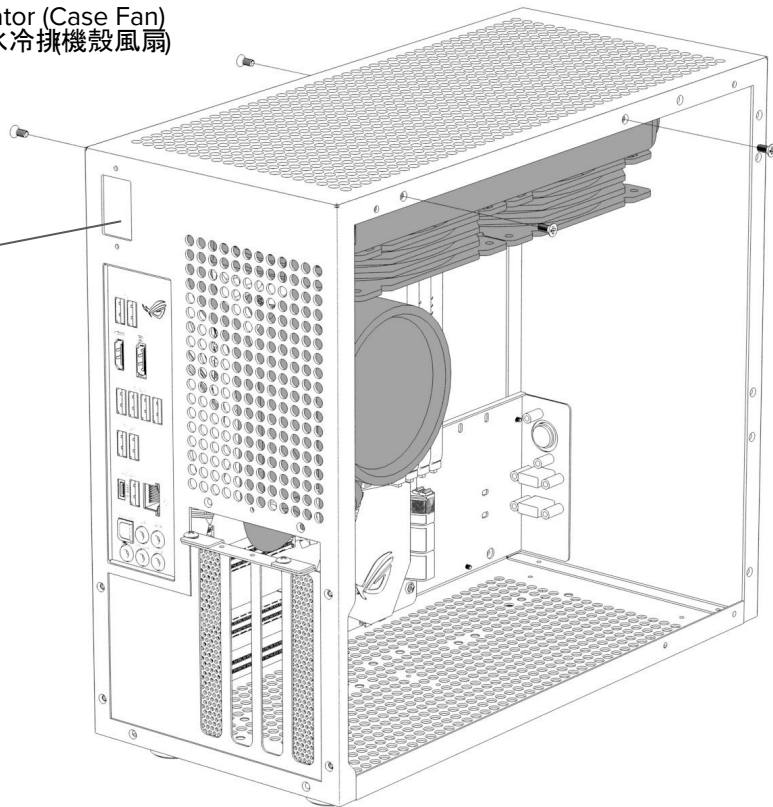
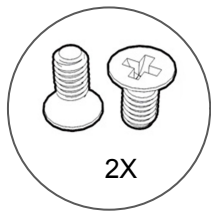
There are two specs. for the water cooling radiator: M3 and #6-32. Please choose the right screw with your water cooling radiator. 水冷排螺絲規格有 M3及#6-32兩種規格, 請依自己冷排需求選擇適合的螺絲。



15

Vertical Mode

Power Extension Cord and Radiator (Case Fan)
Installation / 安裝電源延長線及水冷排機殼風扇

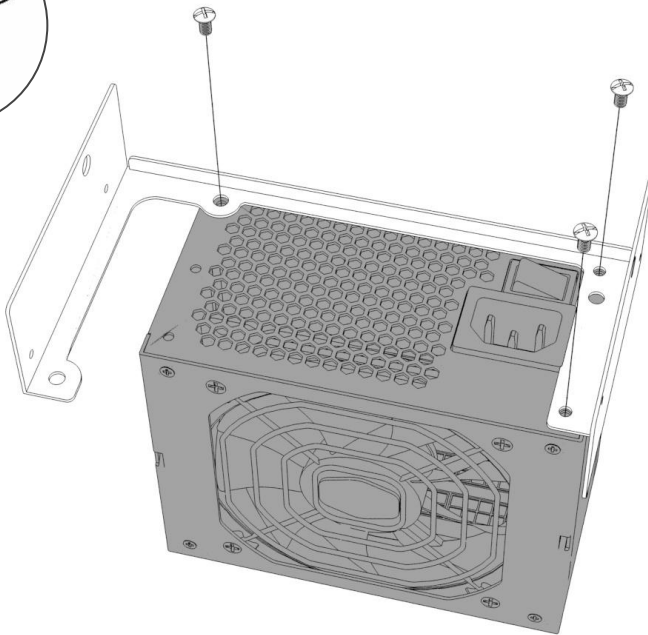


16

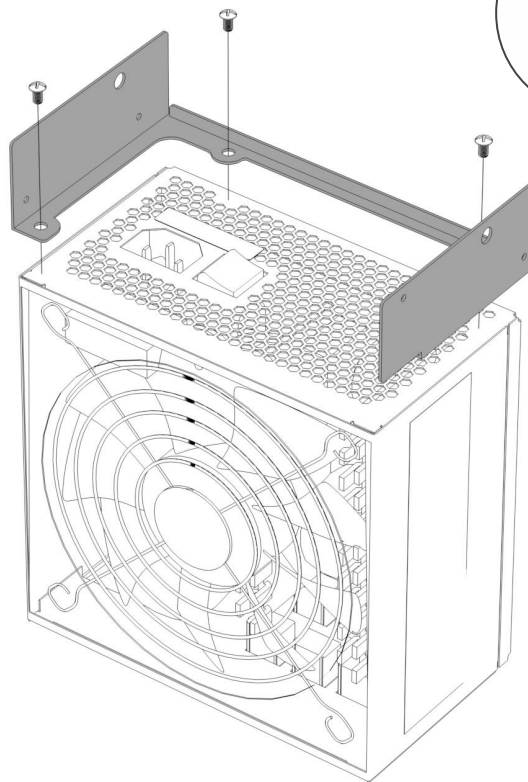
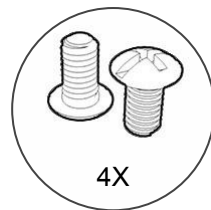
Vertical Mode

PSU Installation / 安裝電源供應器

SFX / SFX-L PSU

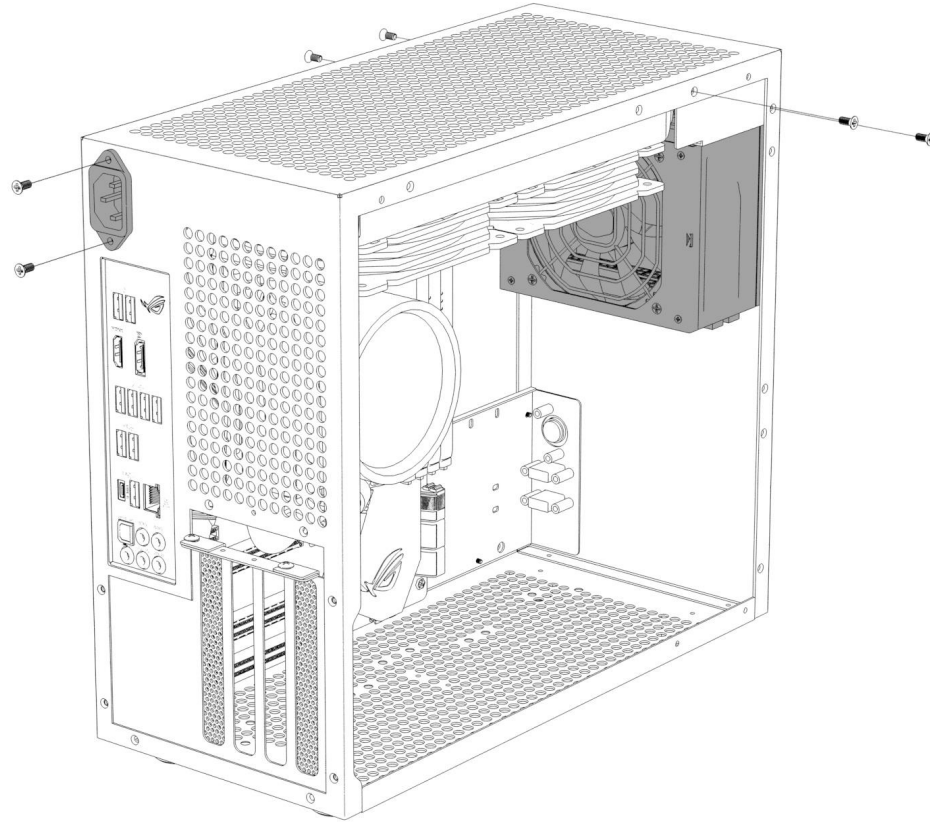


ATX PSU



Vertical Mode

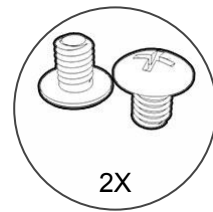
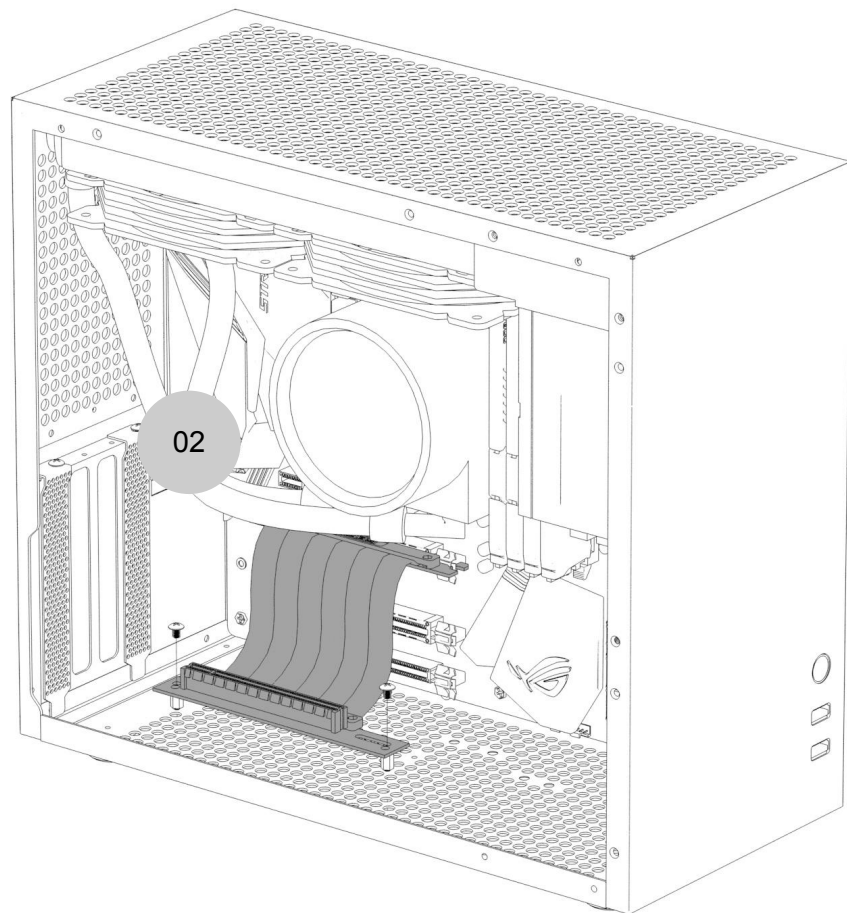
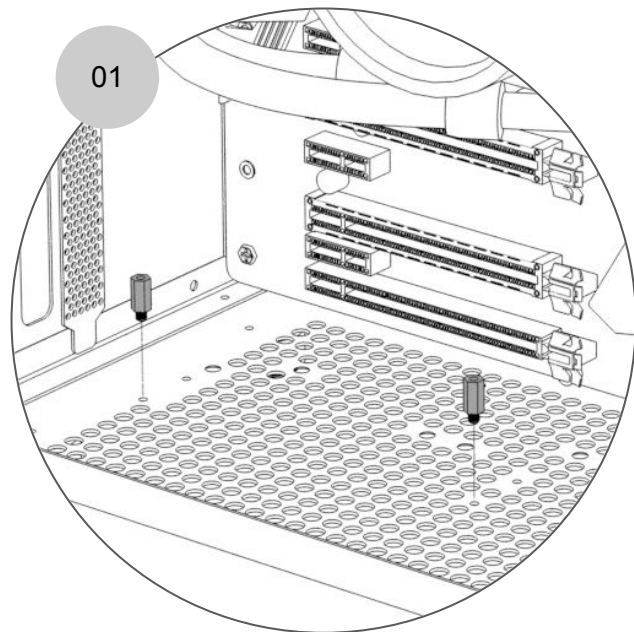
PSU Installation / 安裝電源供應器



18

Vertical Mode

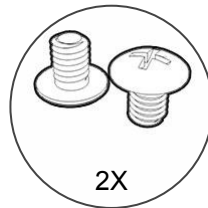
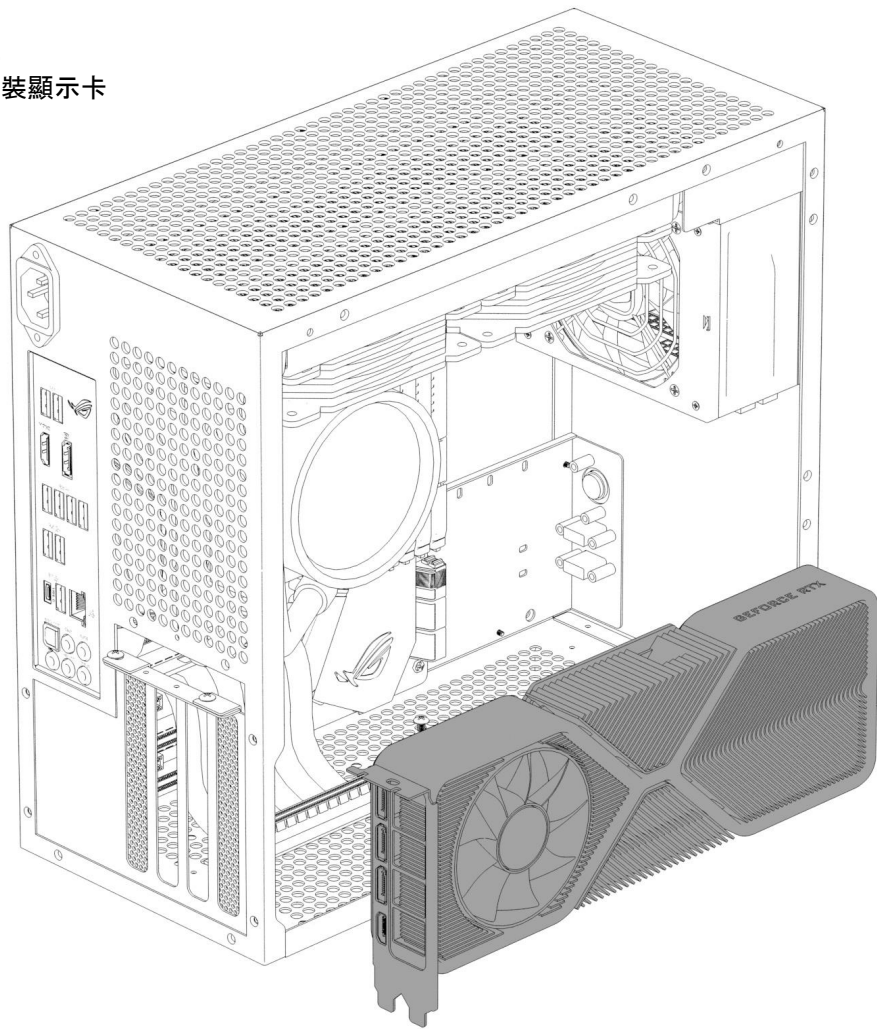
PCI-e Riser Installation / 安裝PCI-E顯示卡延長線



20

Vertical Mode

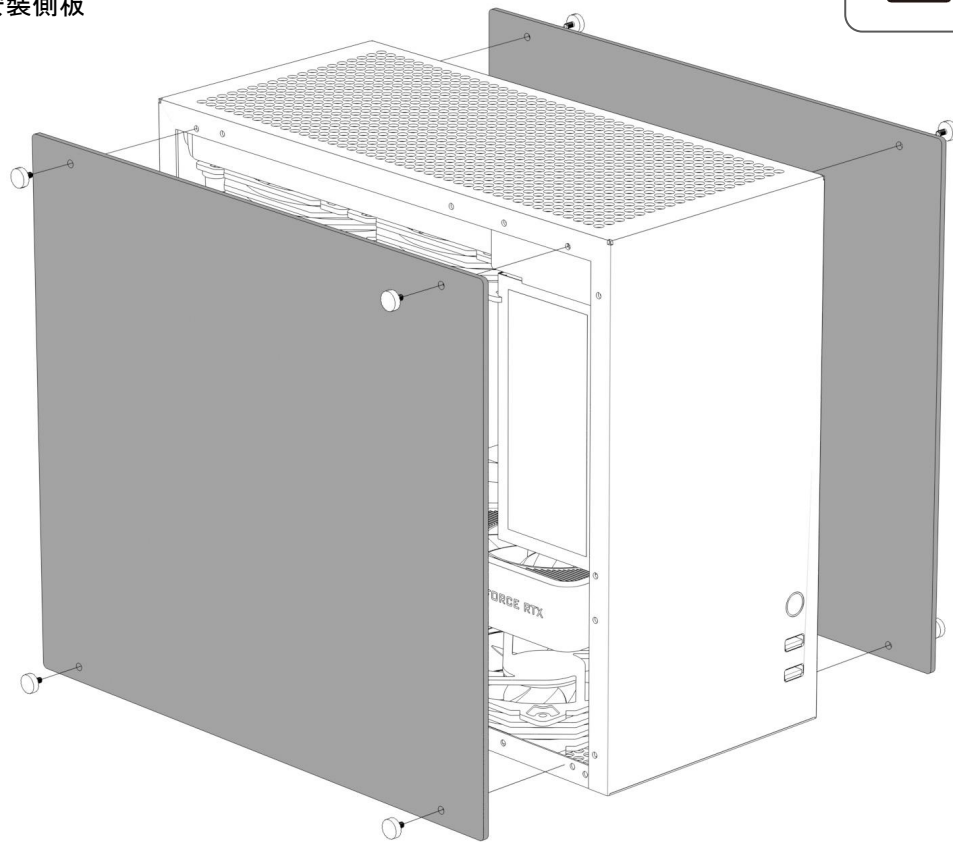
GPU installation / 安裝顯示卡



20

Vertical Mode

Side Panel Installation / 安裝側板



There are protective films on the both sides of side panels, please remove them before use. / 側板雙面都有保護膜, 請移除後再安裝