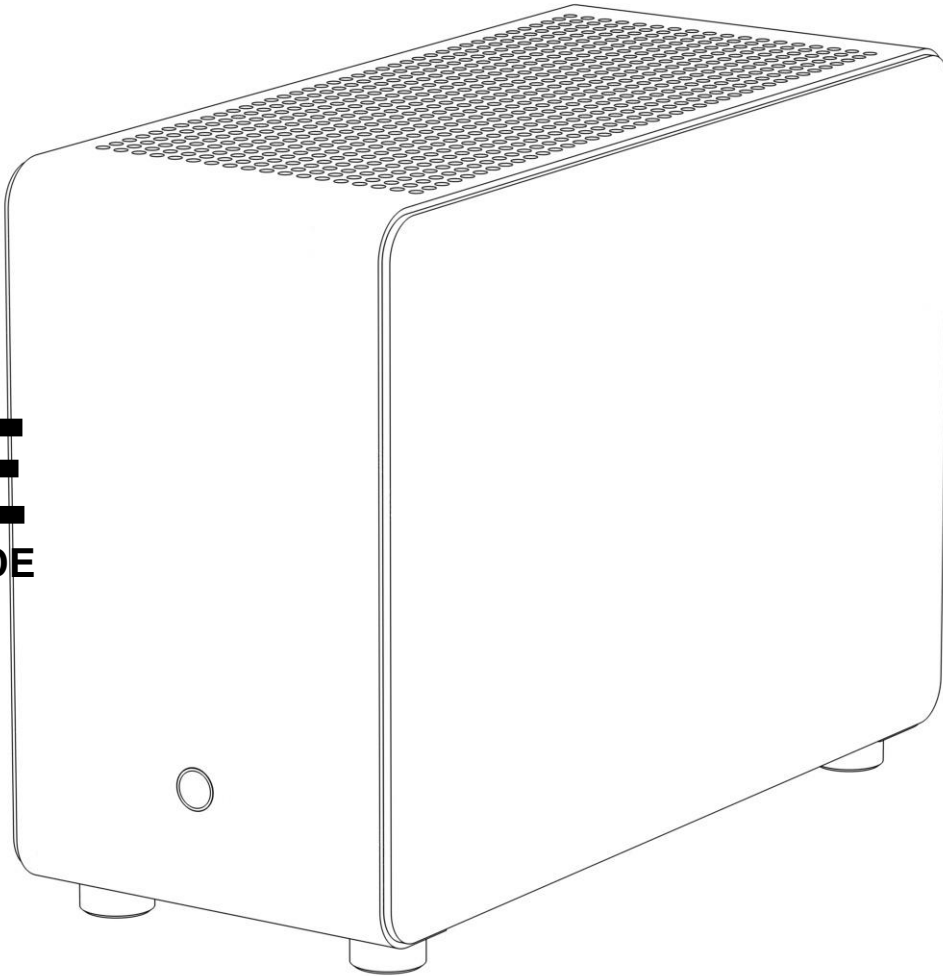


GEEK

G1 SE

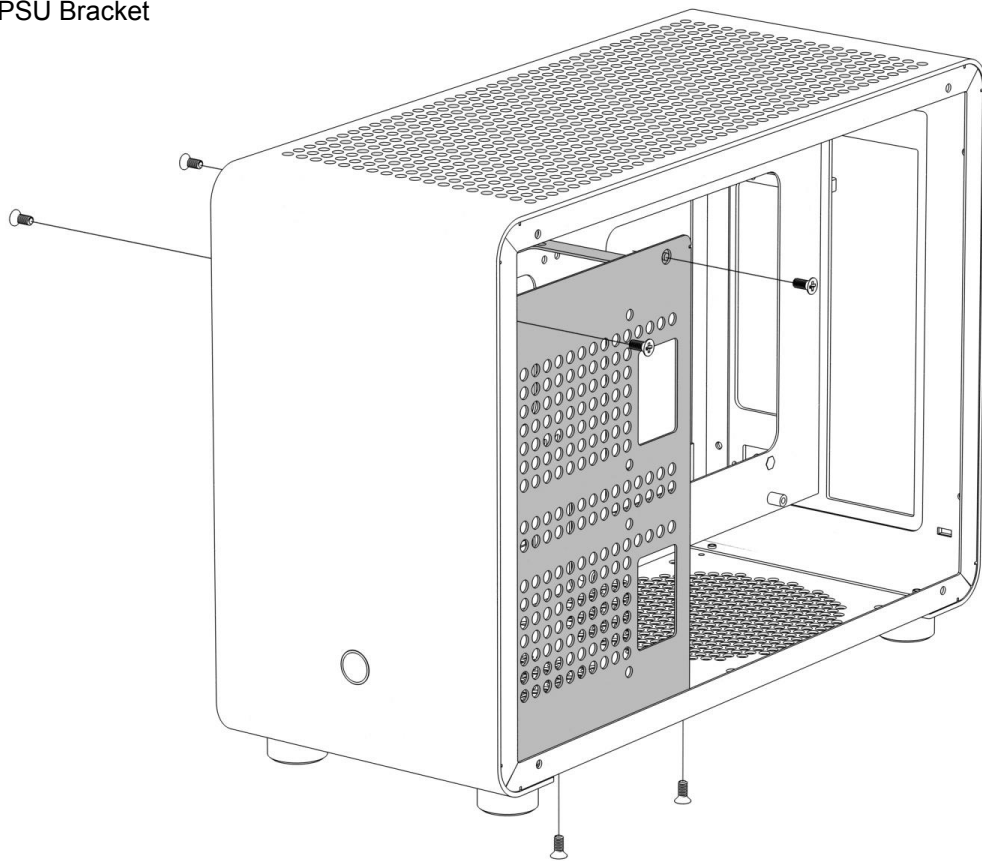
INSTALLATION GUIDE



STEP 01

Remove the SSD/HDD and PSU Bracket

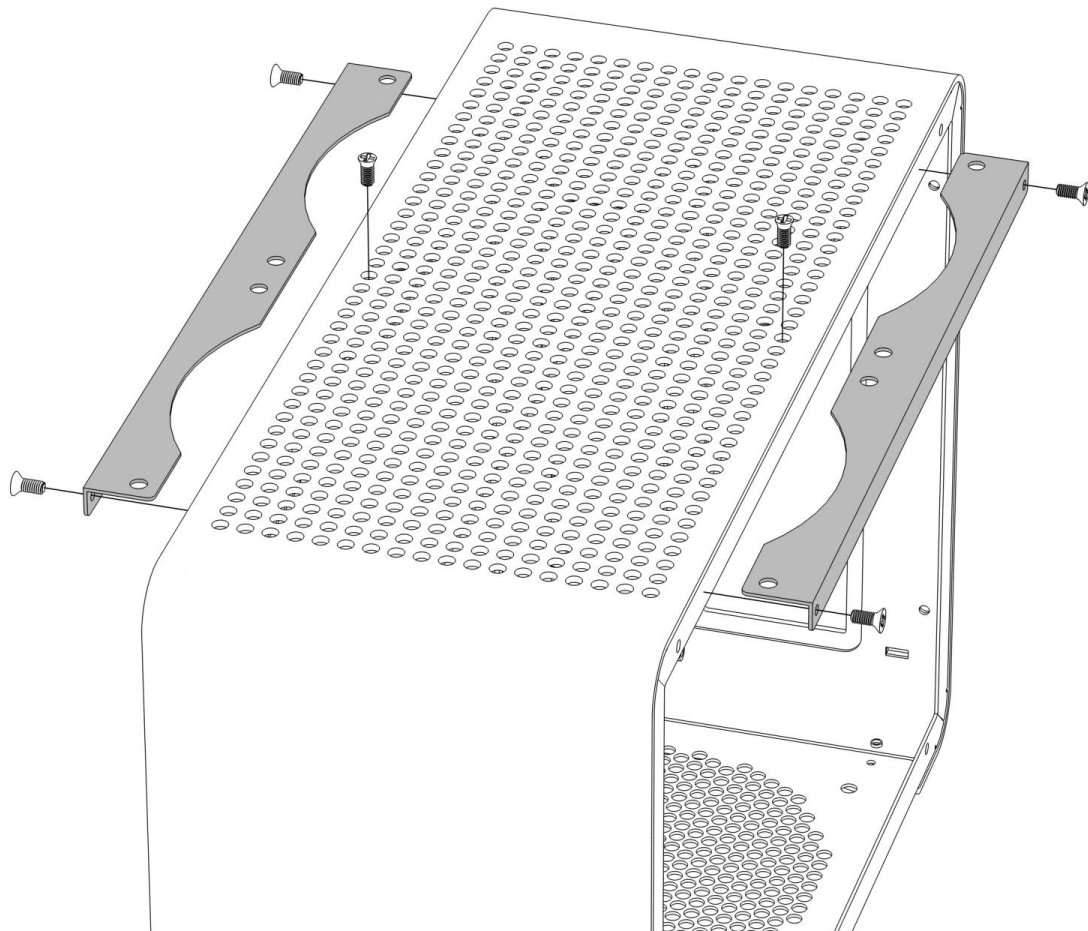
移除硬碟及電源支架



STEP 02

Remove the Fan Bracket

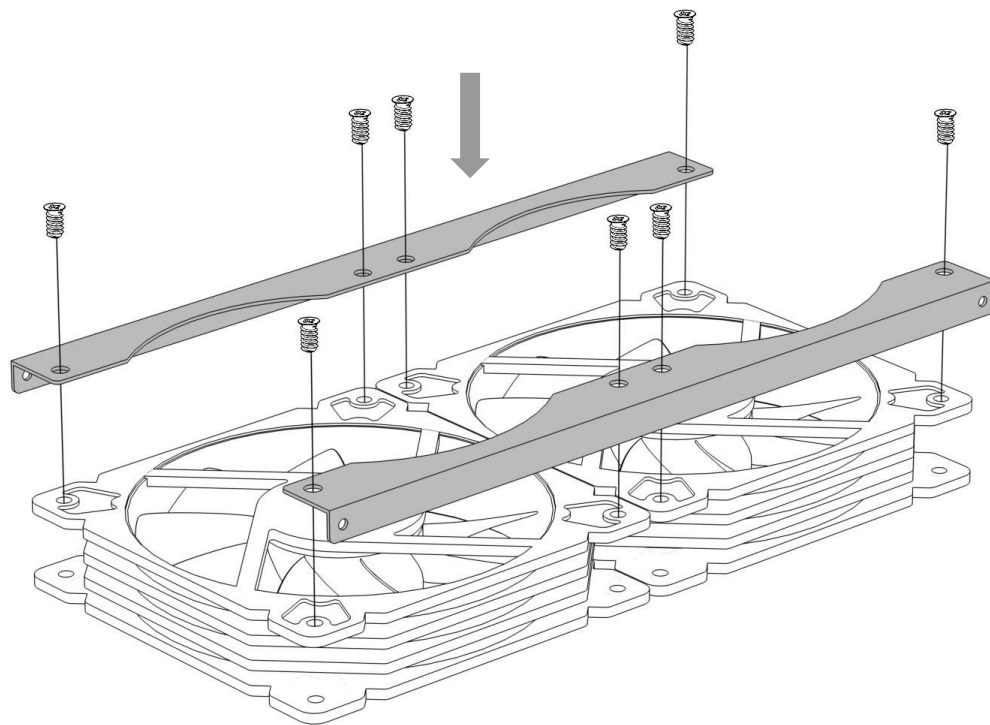
移除風扇支架



STEP 03

Upper Fan Installation

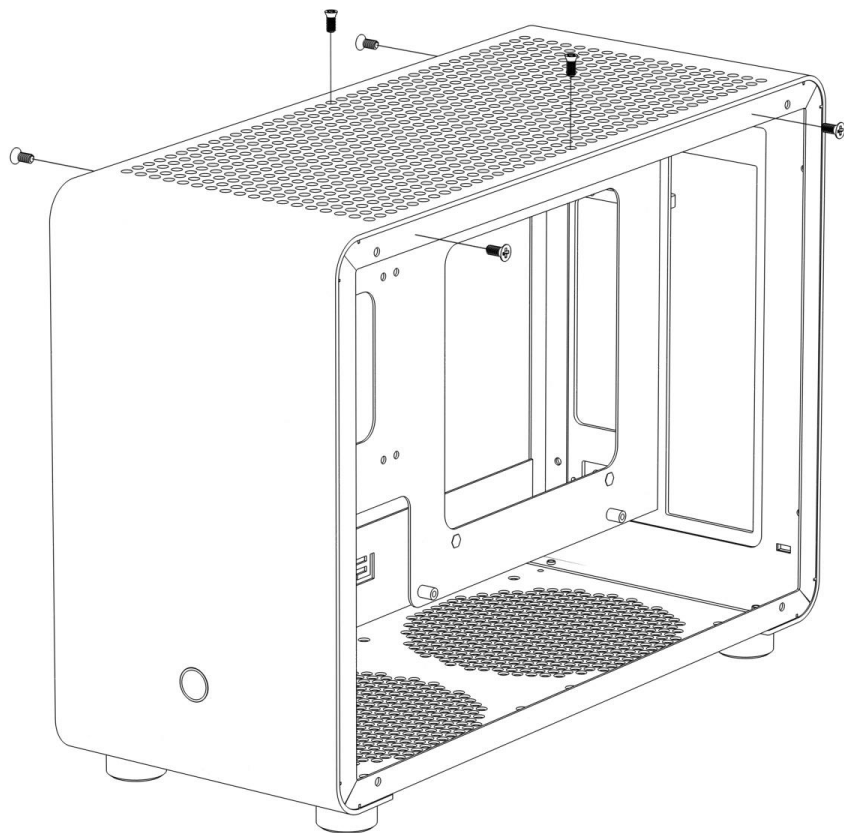
安裝上方風扇



STEP 04

Upper Fan Bracket Installation

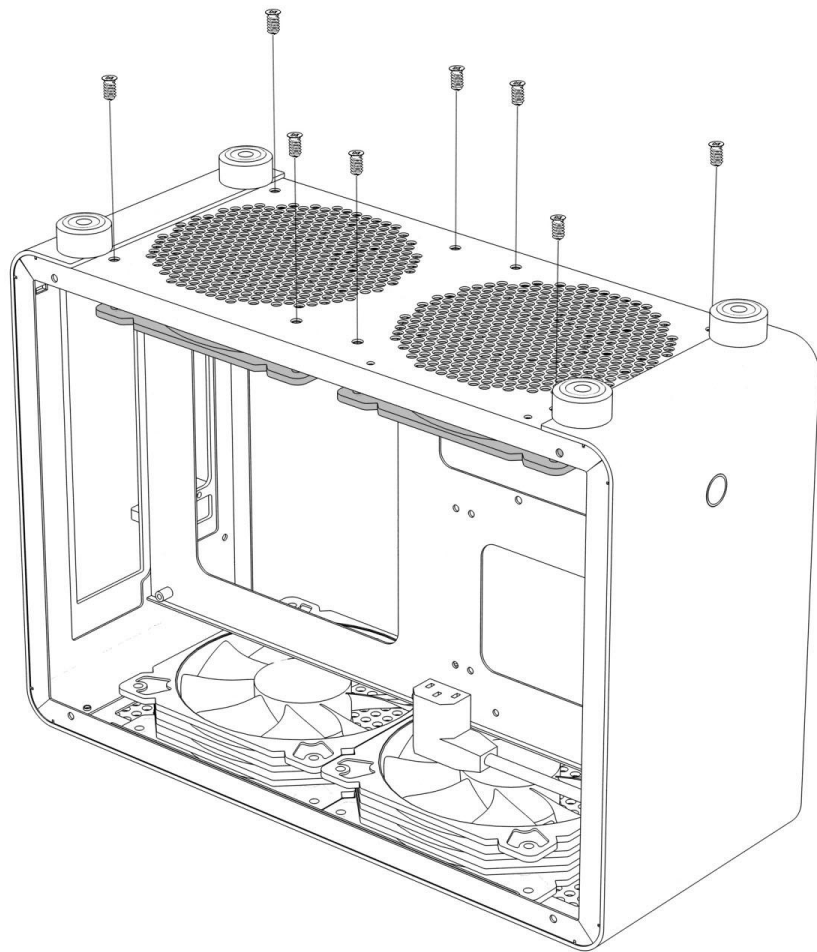
安裝上方風扇支架



STEP 05

Bottom Fan Installation

安裝底部風扇



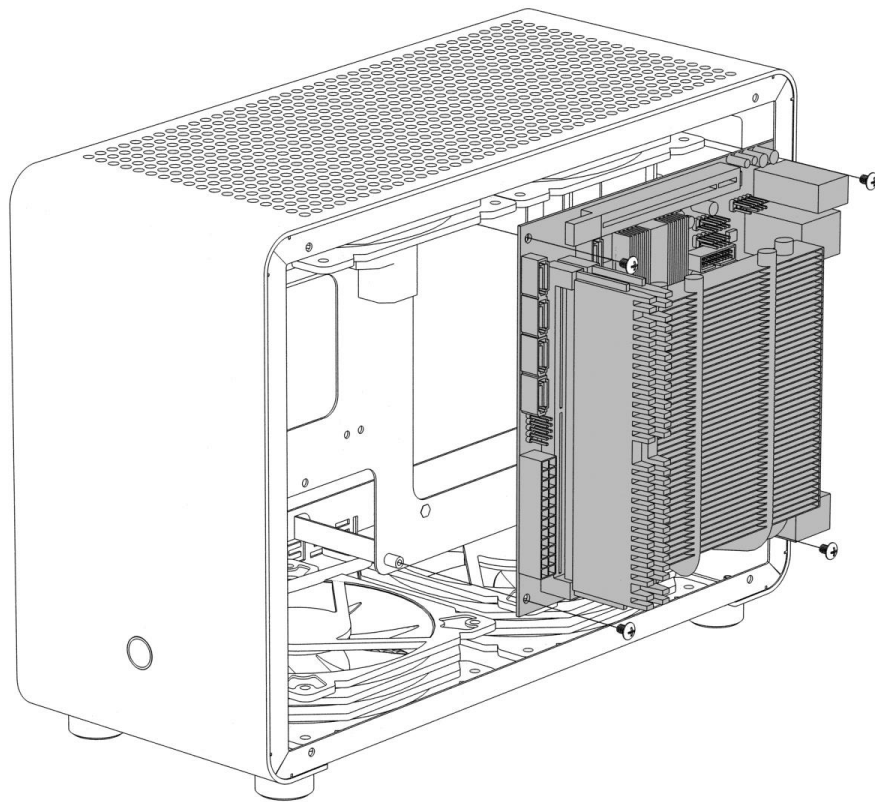
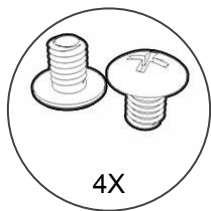
STEP 06

Motherboard Installation

安裝主機板



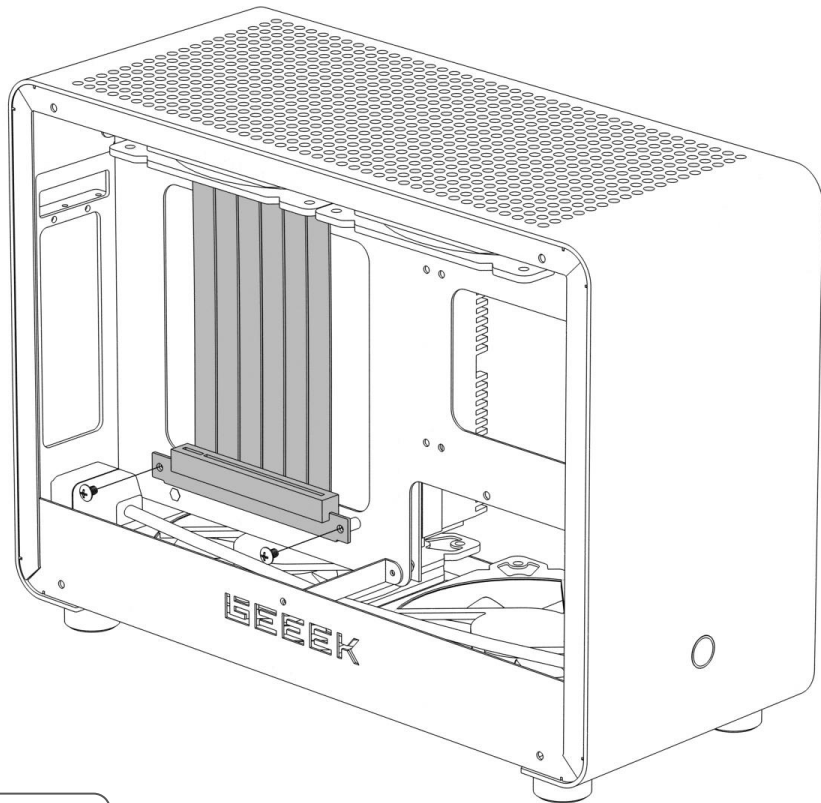
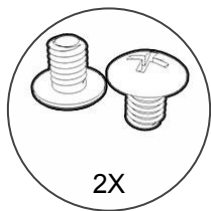
Please install the power switch connector and LED connector to the motherboard before installing the motherboard into the chassis.



STEP 07

PCIe Riser Cable Installation

安裝PCI-E顯示卡延長線



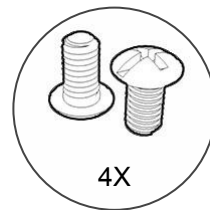
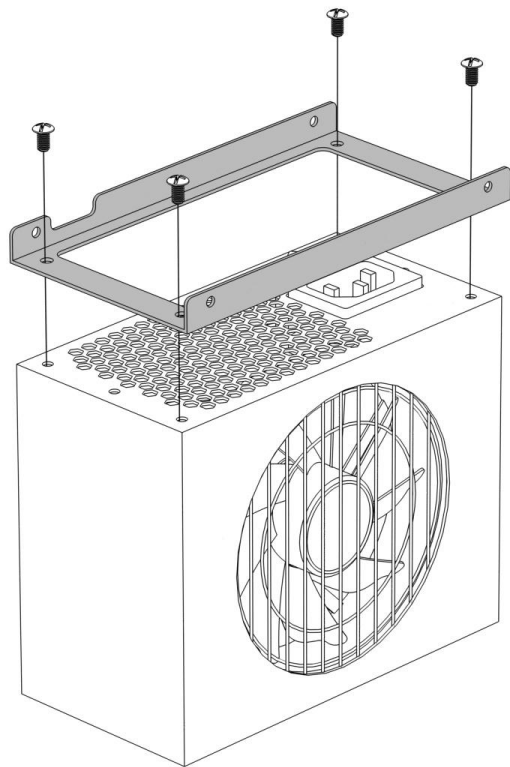
Tip: Install the PCIe Riser Cable on the motherboard first, then screw into the case

PCI-E延長線請先安裝到主機板再固定到機殼。

STEP 08

PSU Bracket Installation

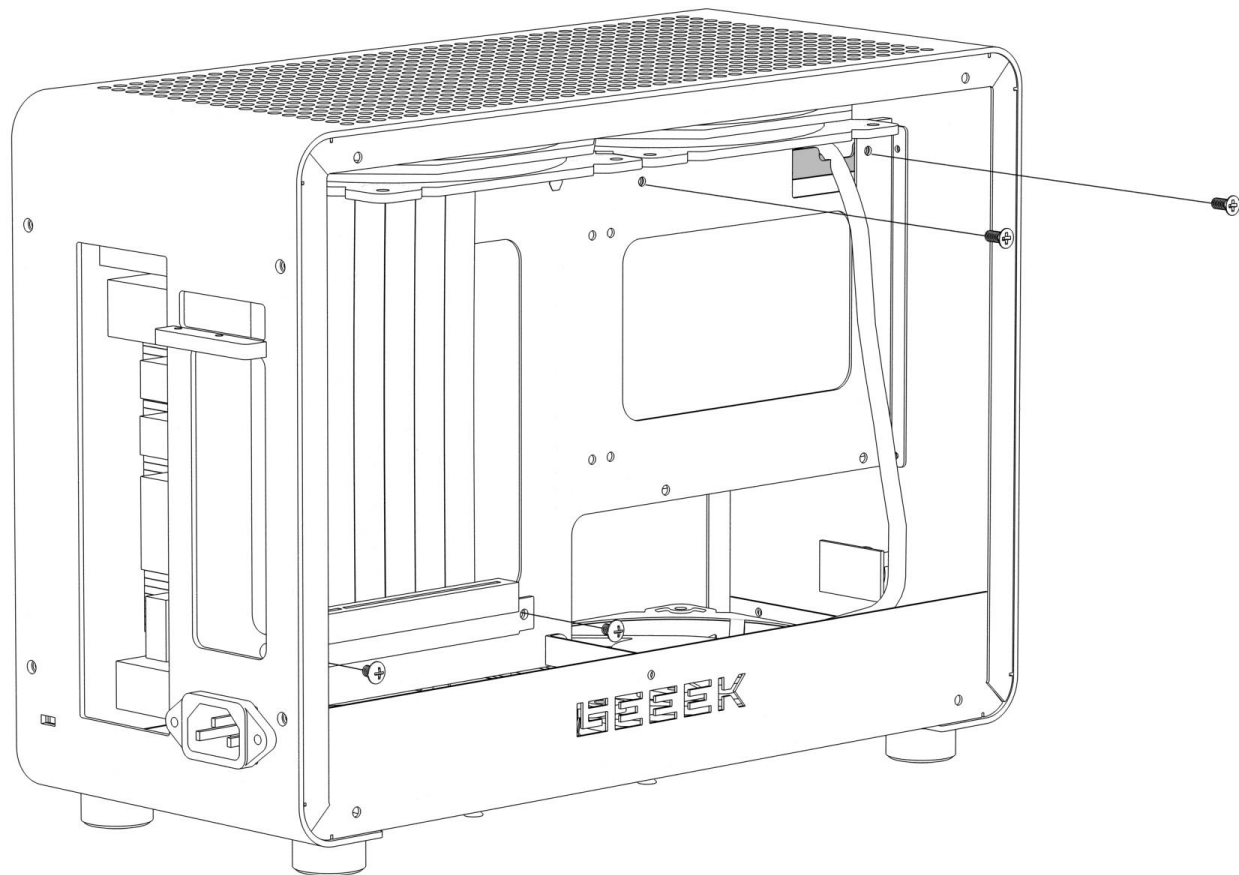
安裝電源支架



STEP 09

PSU Installation

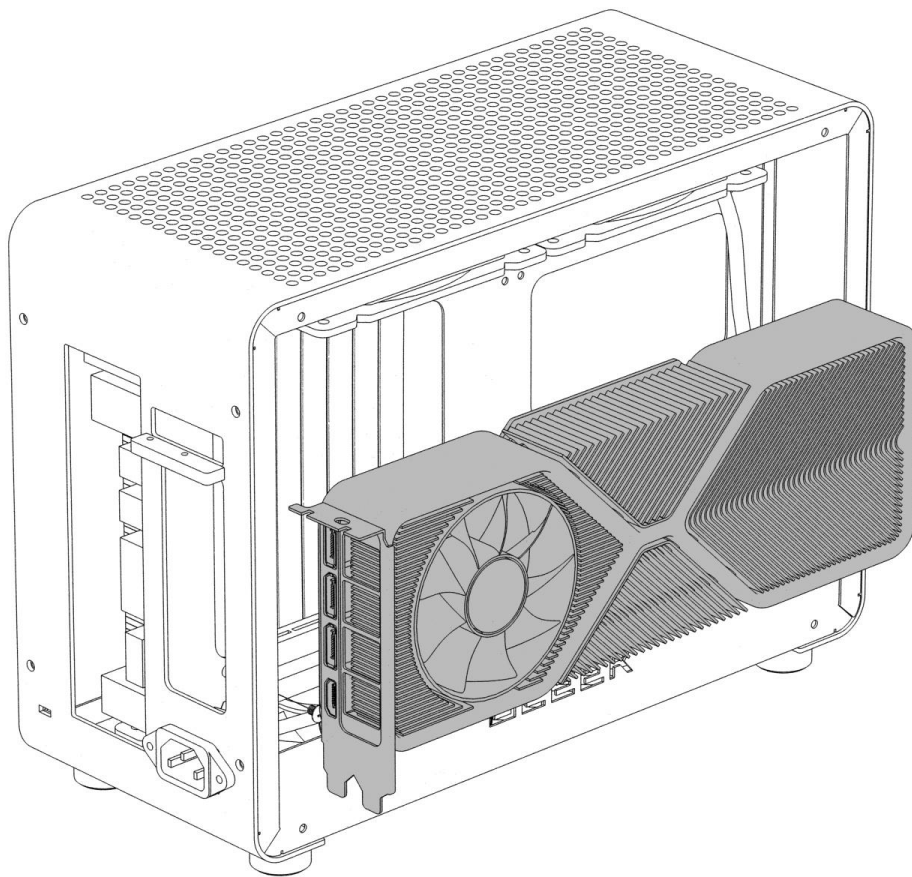
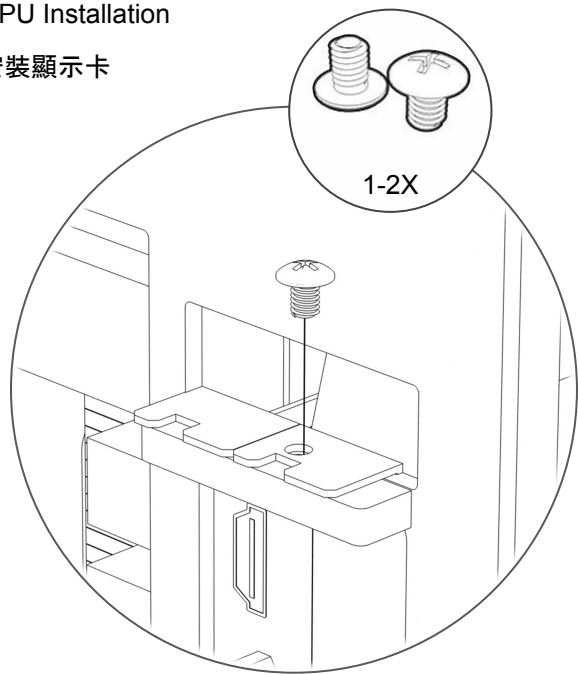
安裝電源



STEP 10

GPU Installation

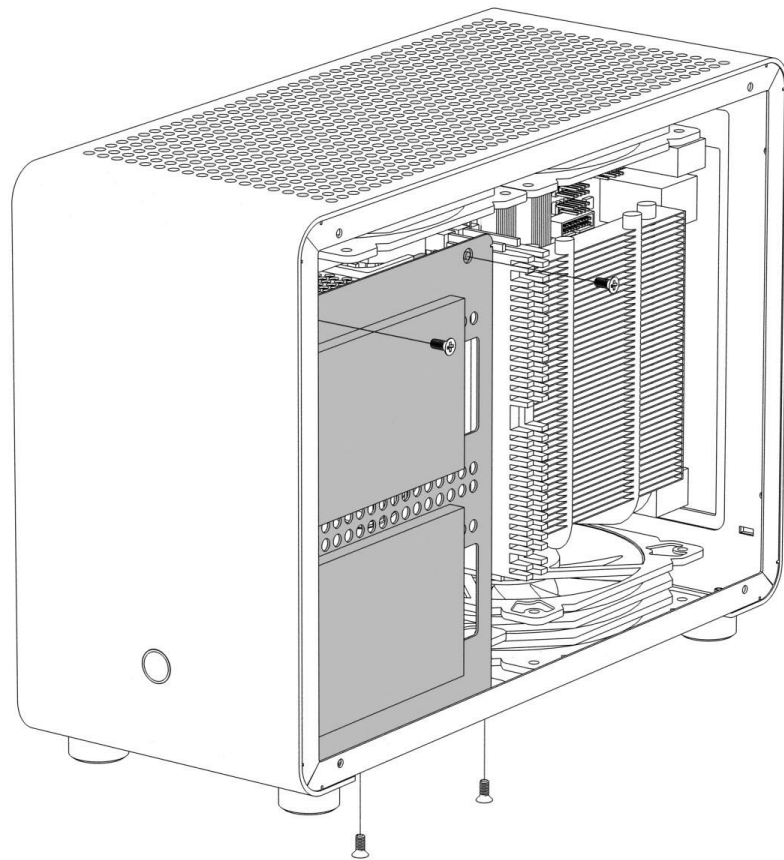
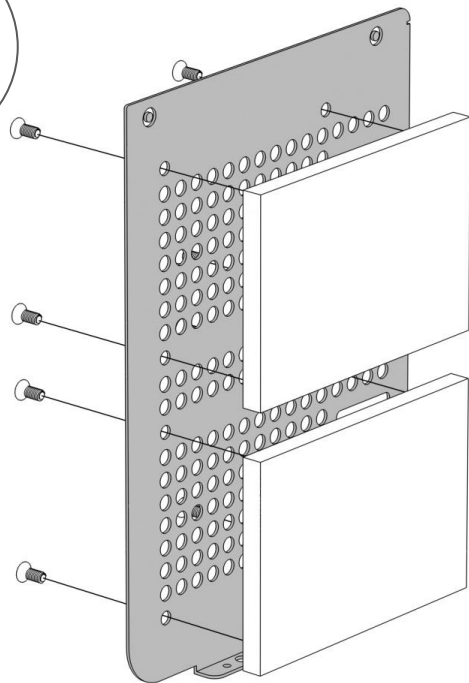
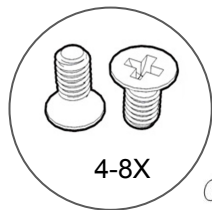
安裝顯示卡



STEP 11

2.5" SSD/HDD Installation

安裝2.5" SSD/硬碟



STEP 12

Side Panel Installation

安裝側板

