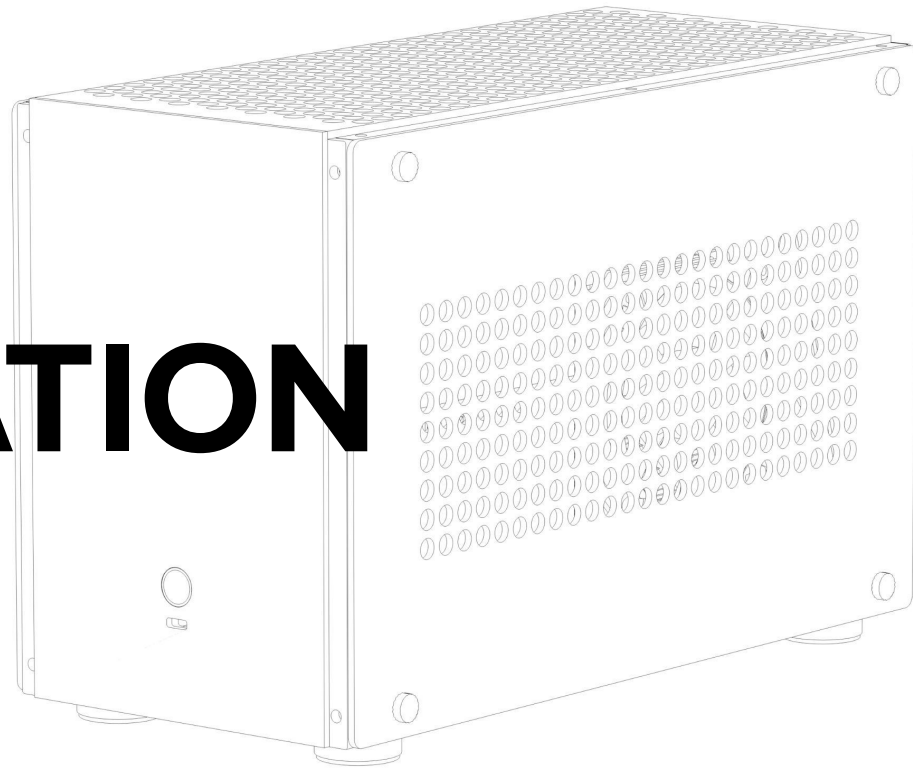


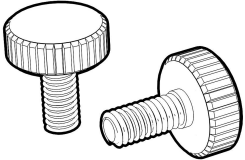
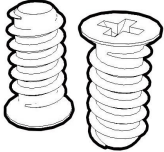
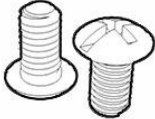
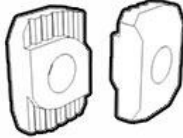
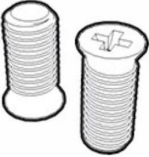
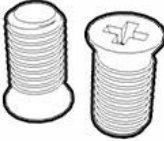
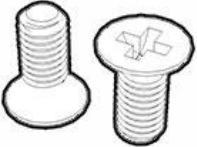

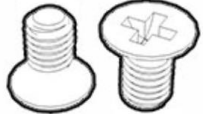
**GEEK**

# **A50 MAX INSTALLATION GUIDE**

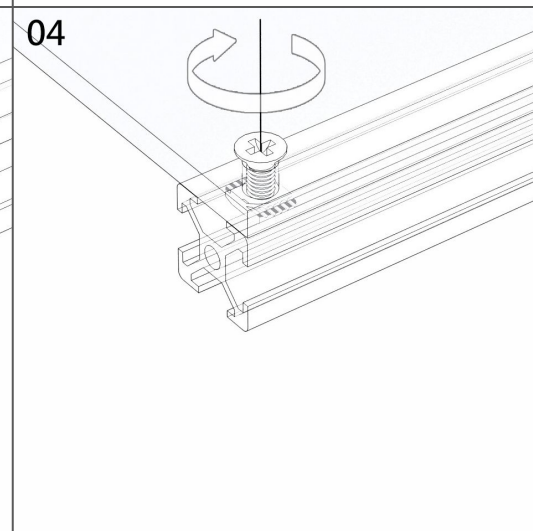
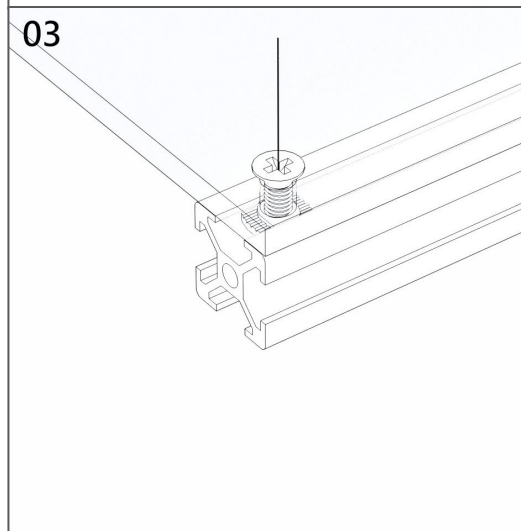
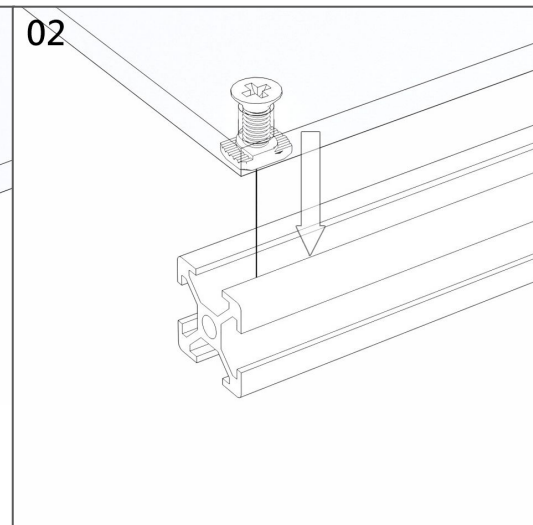
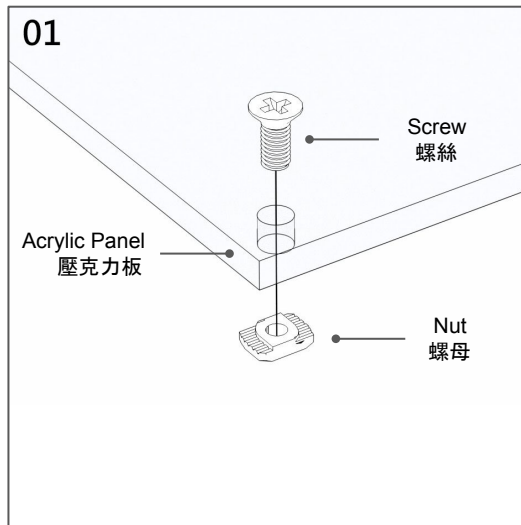


v1.0

# SCREWS LIST 螺絲列表

<p><b>A</b></p>  <p>M4 Thumb Screw</p>	<p><b>B</b></p>  <p>Case Fan Screw</p>	<p><b>C</b></p>  <p>#6-32 Power Supply Screw</p>	<p><b>D</b></p>  <p>M3 Nut</p>	
<p><b>E</b></p>  <p>M4x16</p>	<p><b>F</b></p>  <p>M4x8</p>	<p><b>G</b></p>  <p>M3x8</p>	<p><b>H</b></p>  <p>M3x5</p>	<p><b>I</b></p>  <p>M3x5</p>

# Aluminum Frame Installation 鋁框架安裝說明

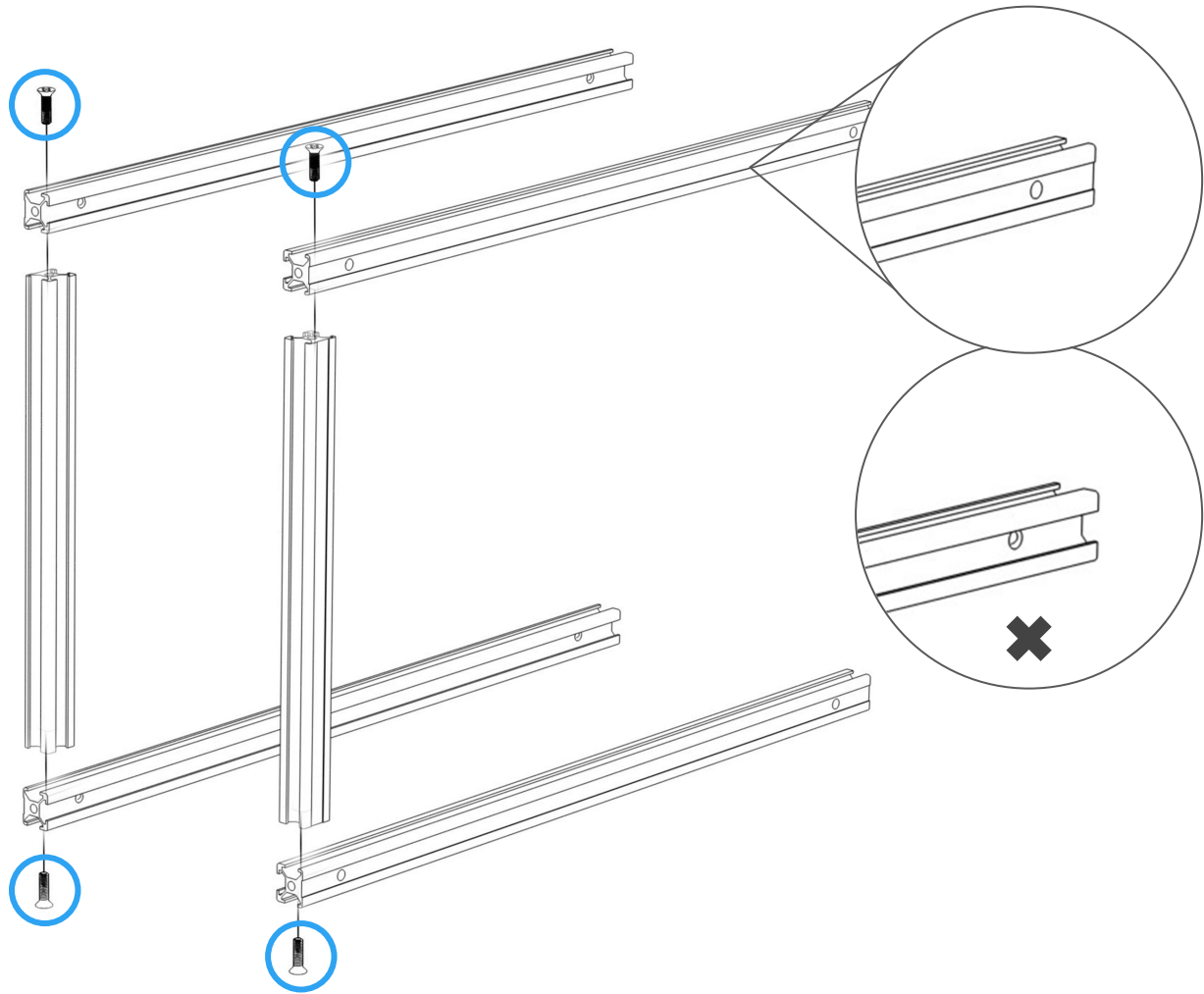
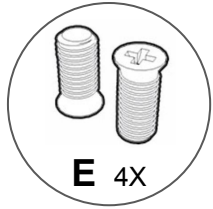


Please read the "Aluminum Frame installation" before assembling this case  
安裝前請務必先理解鋁框架如何安裝

# STEP 01

Aluminum Frame Installation

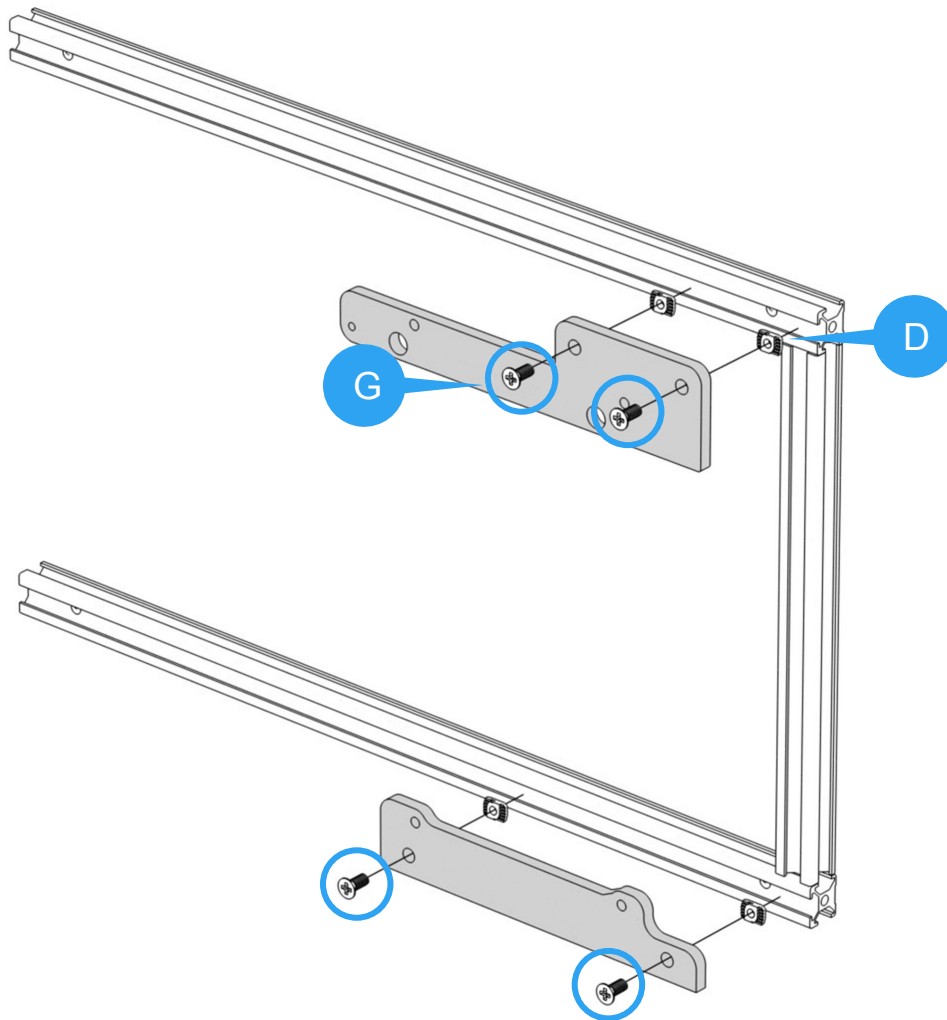
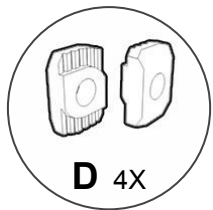
安裝機身鋁框架



# STEP 02

HDD Bracket Installation

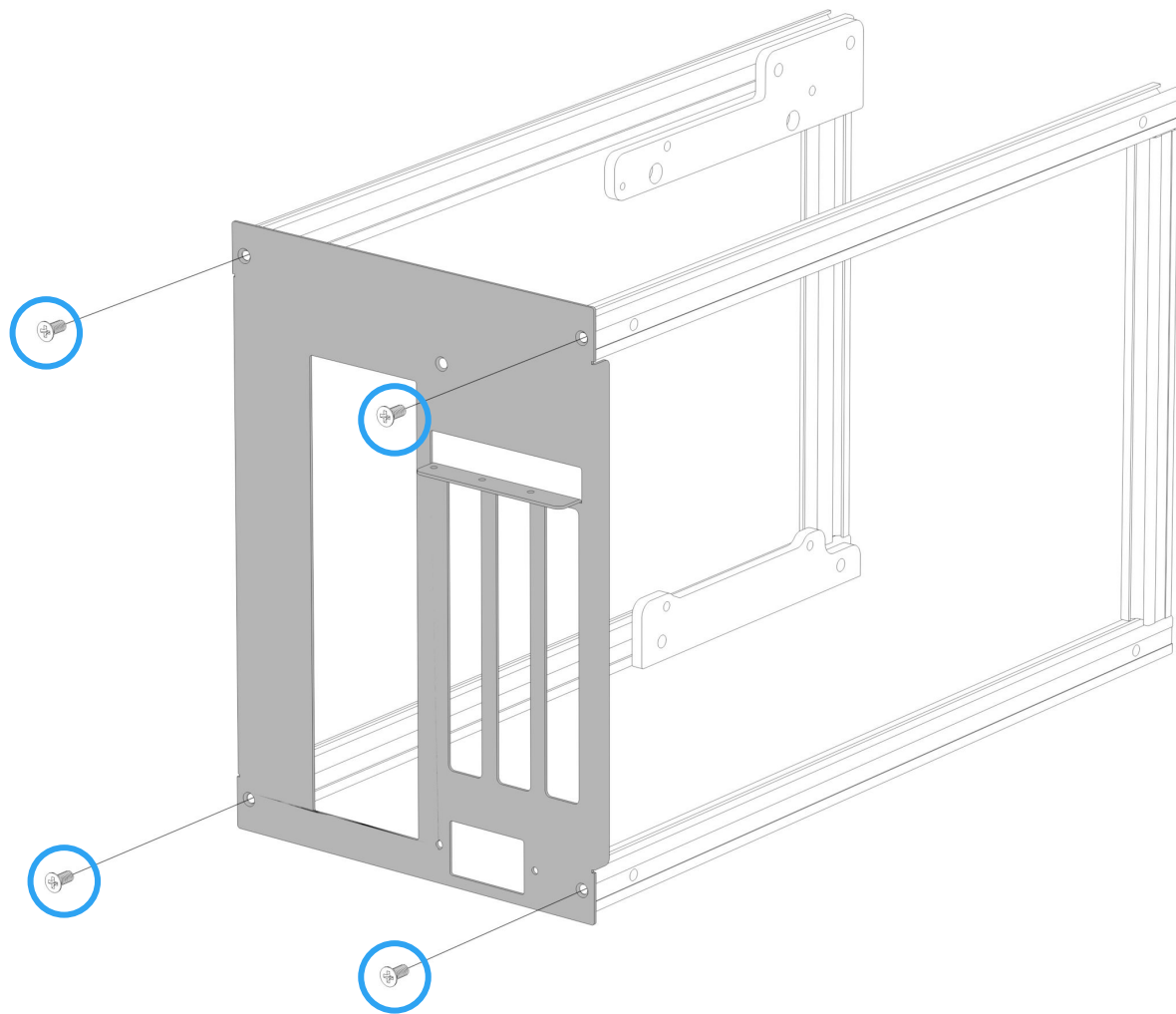
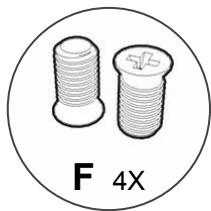
安裝硬碟支架到右側鋁框架



# STEP 03

Back Panel Installation

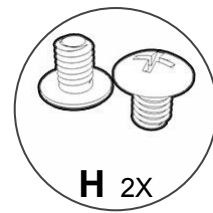
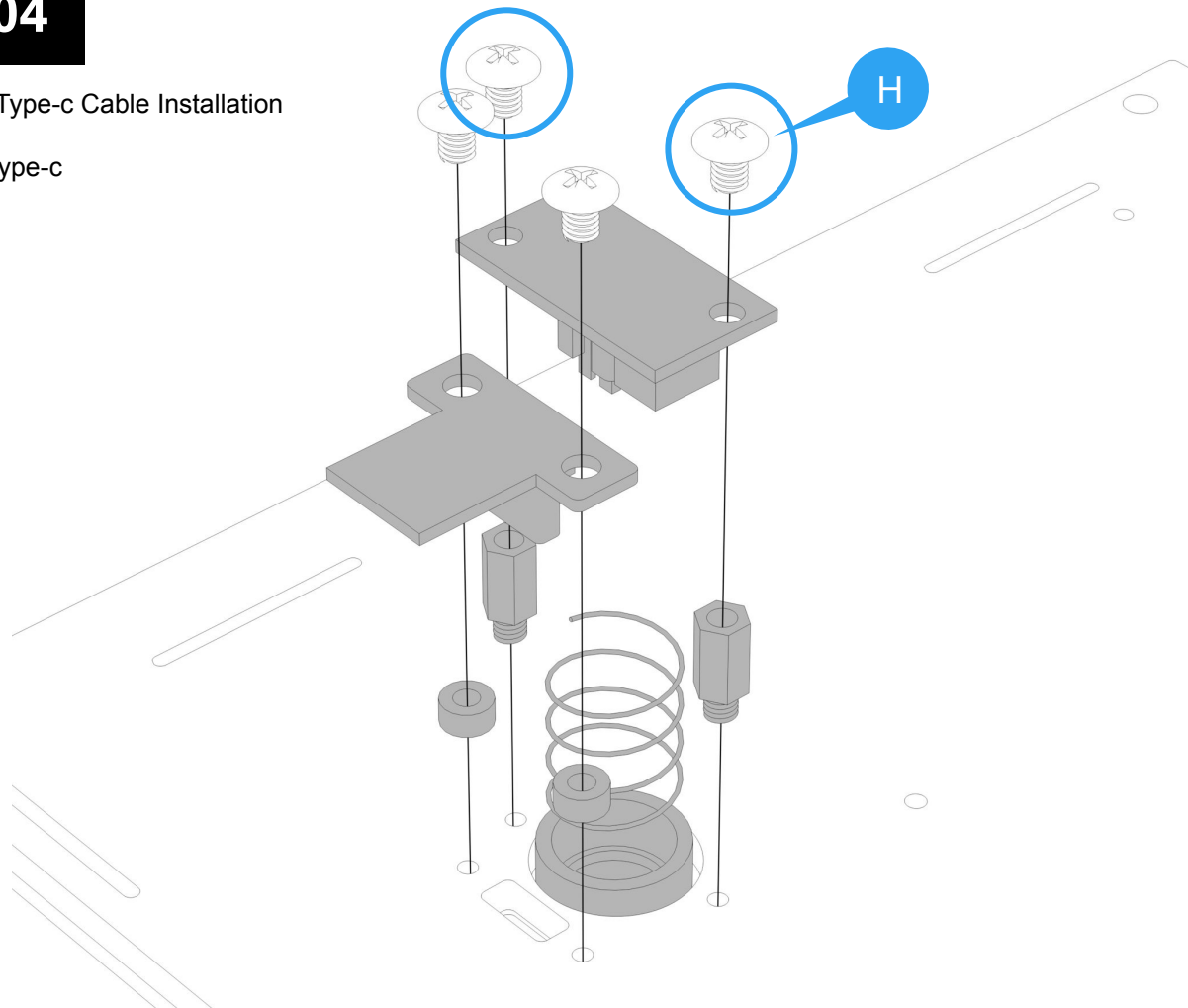
安裝後面板



# STEP 04

Power Switch & Type-c Cable Installation

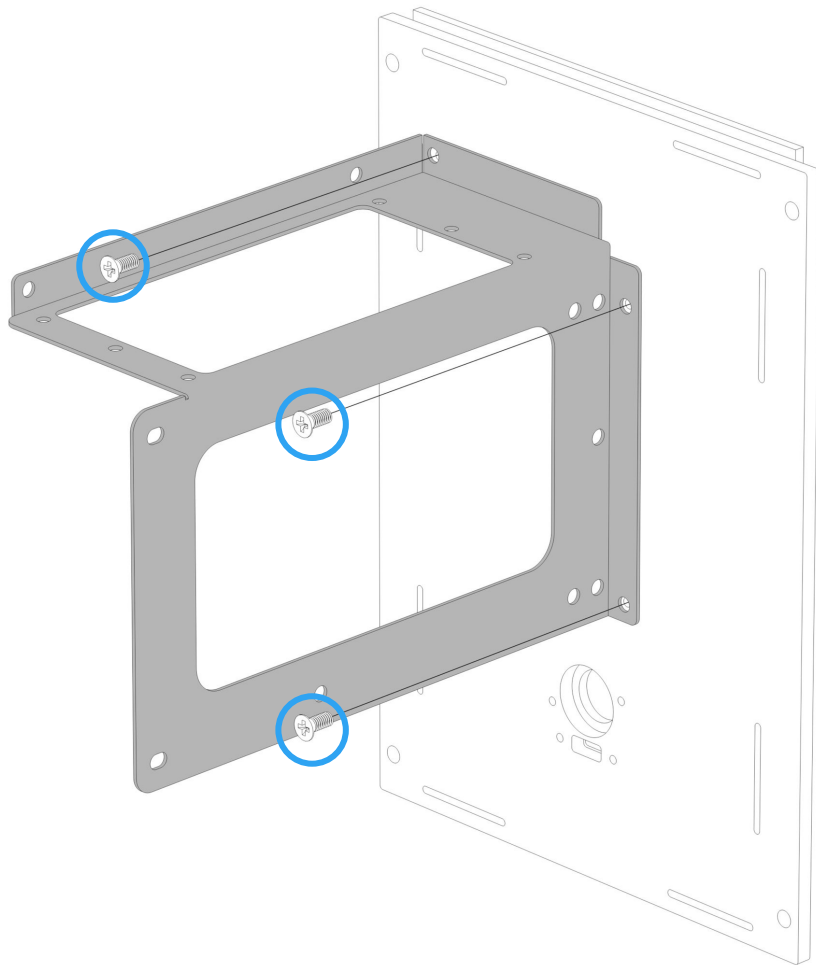
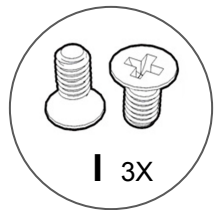
安裝電源開關及Type-c



# STEP 05

PSU Bracket Installation

安裝電源支架

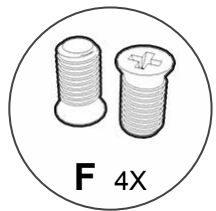
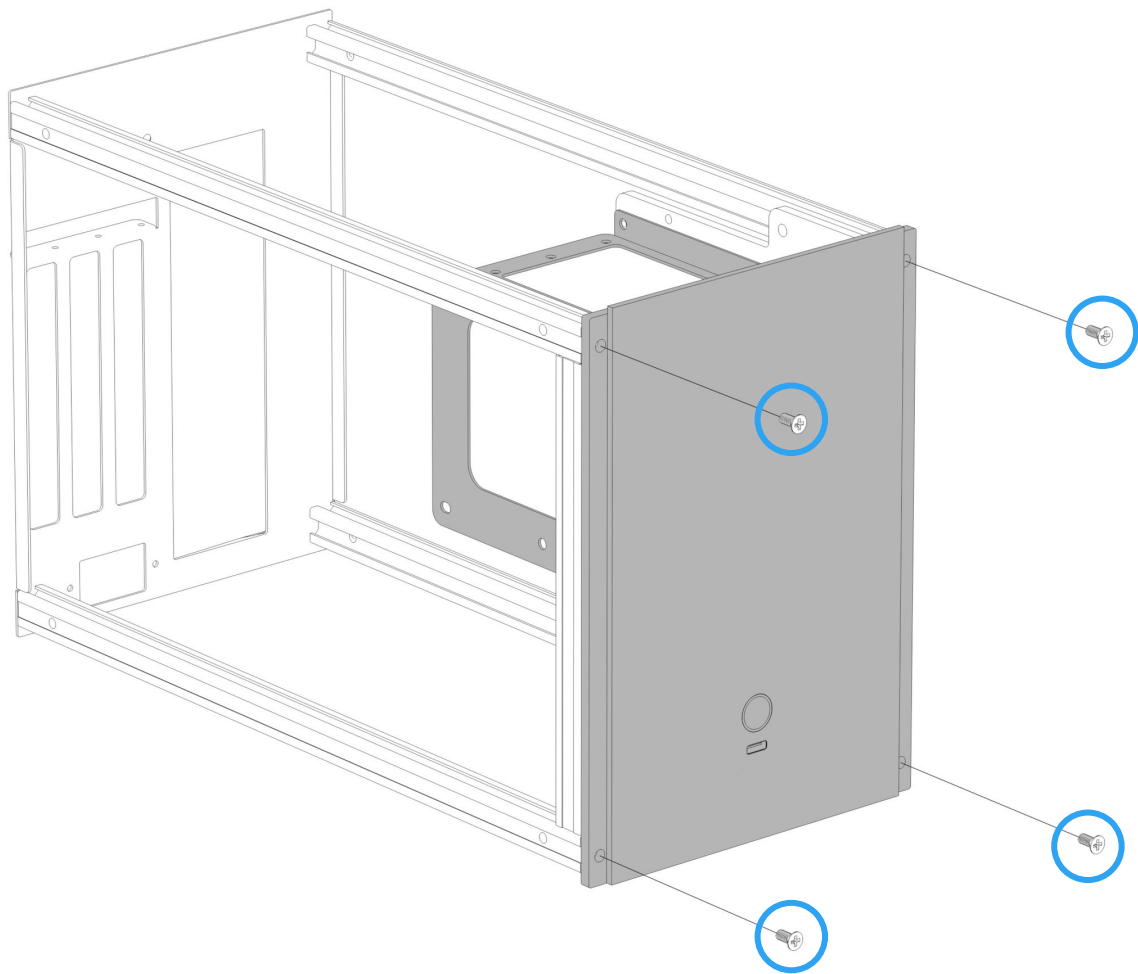




# STEP 06

Front Panel Installation

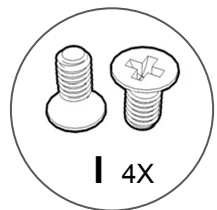
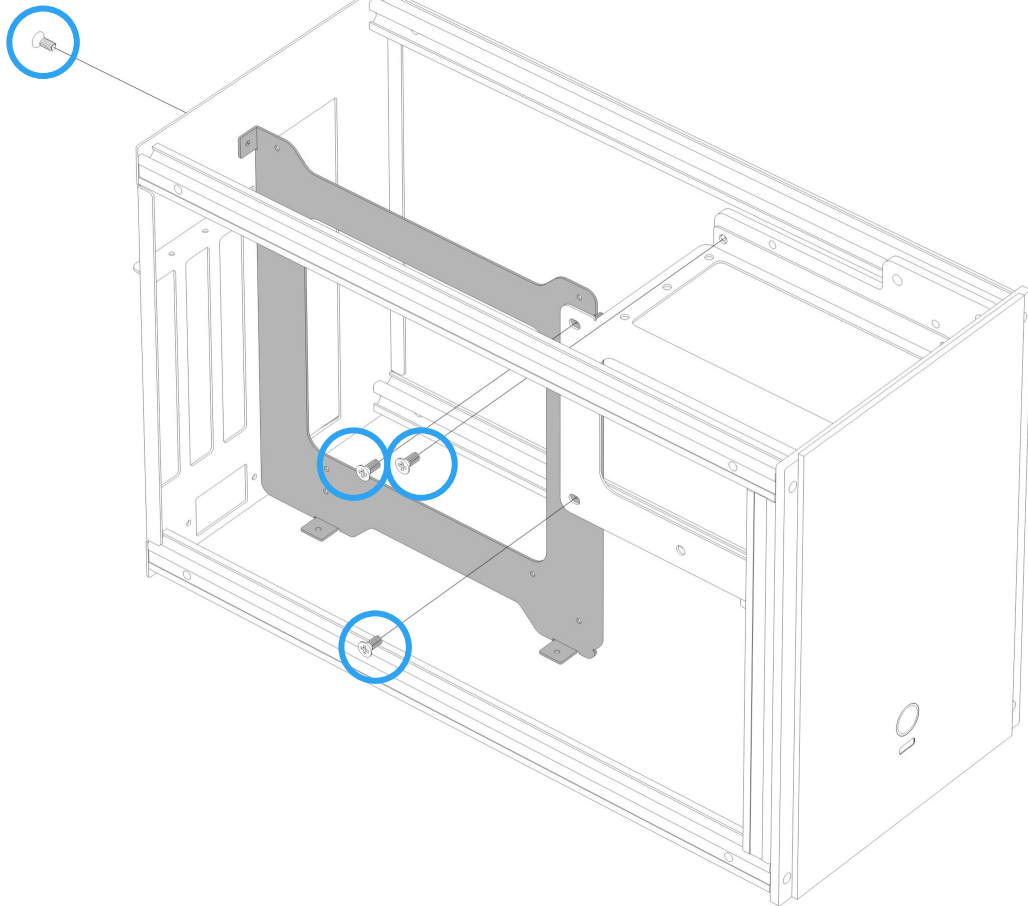
安裝前面板



# STEP 07

Motherboard Bracket installation

安裝主機板支架

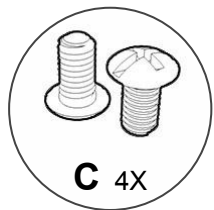
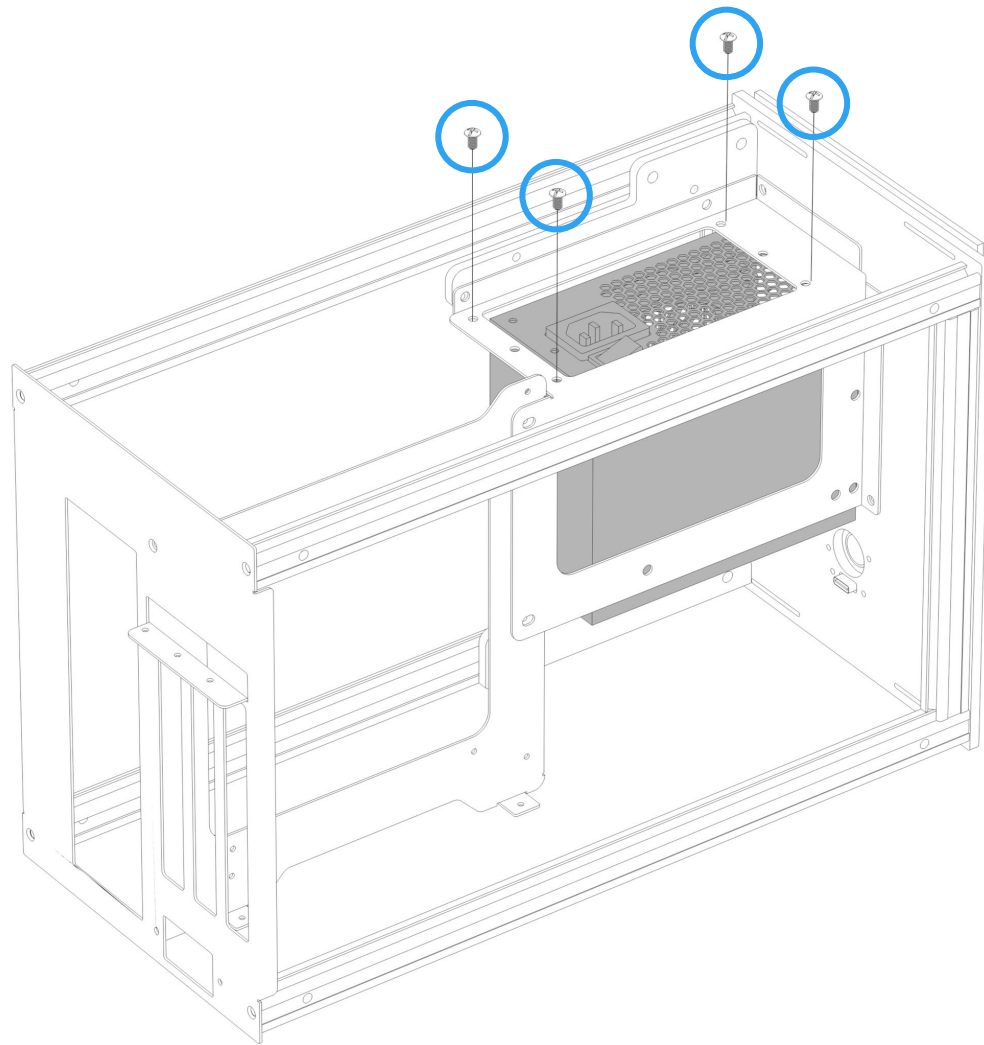


4X

# STEP 08

Power Supply Installation

安裝電源供應器



# STEP 09

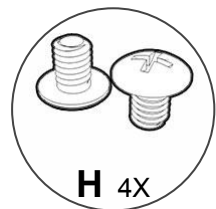
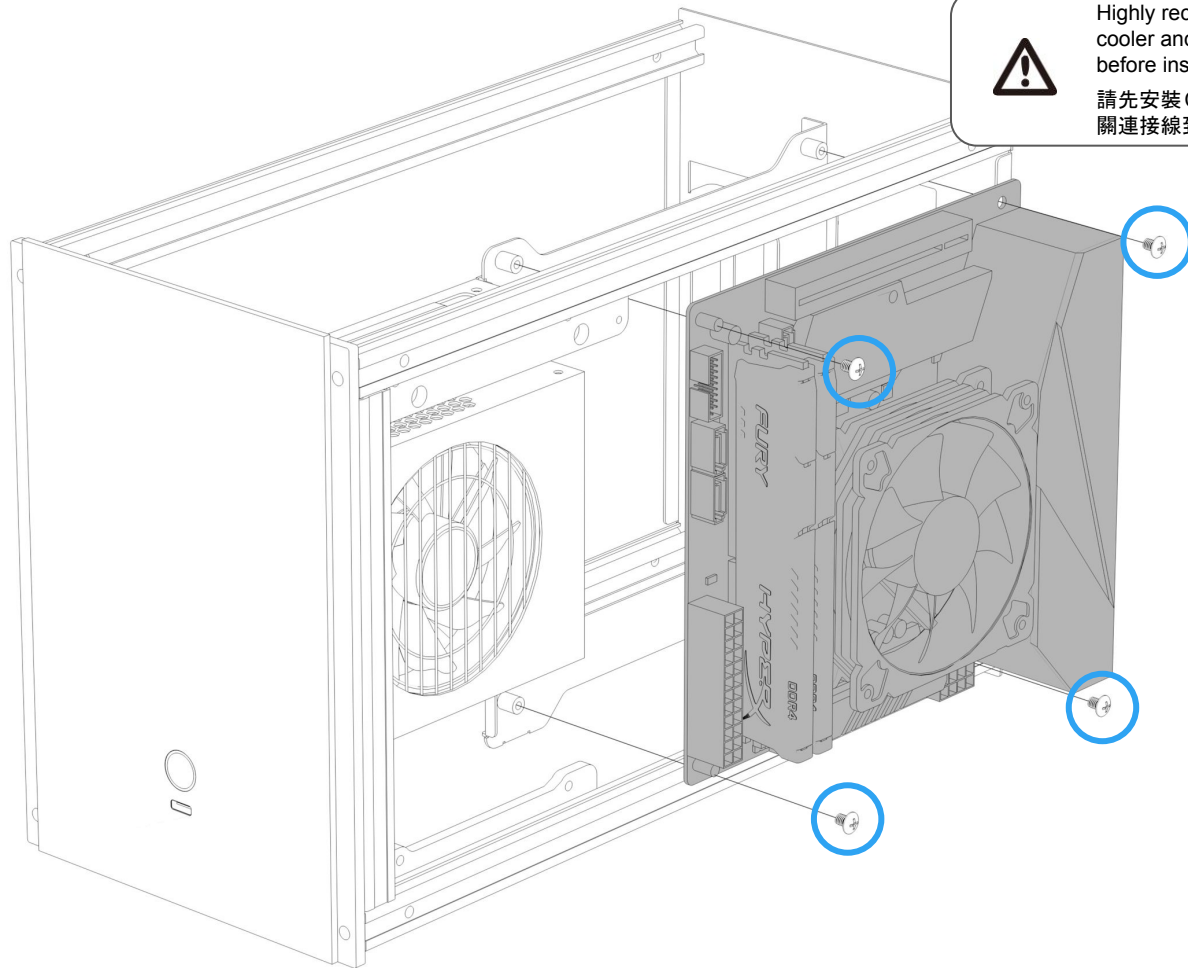
## Motherboard Installation

### 安裝主機板



Highly recommend to install the CPU cooler and ram, power switch connector before installing the motherboard.

請先安裝CPU散熱器及記憶體、電源開關連接線到主機板。

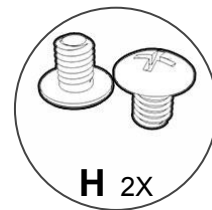
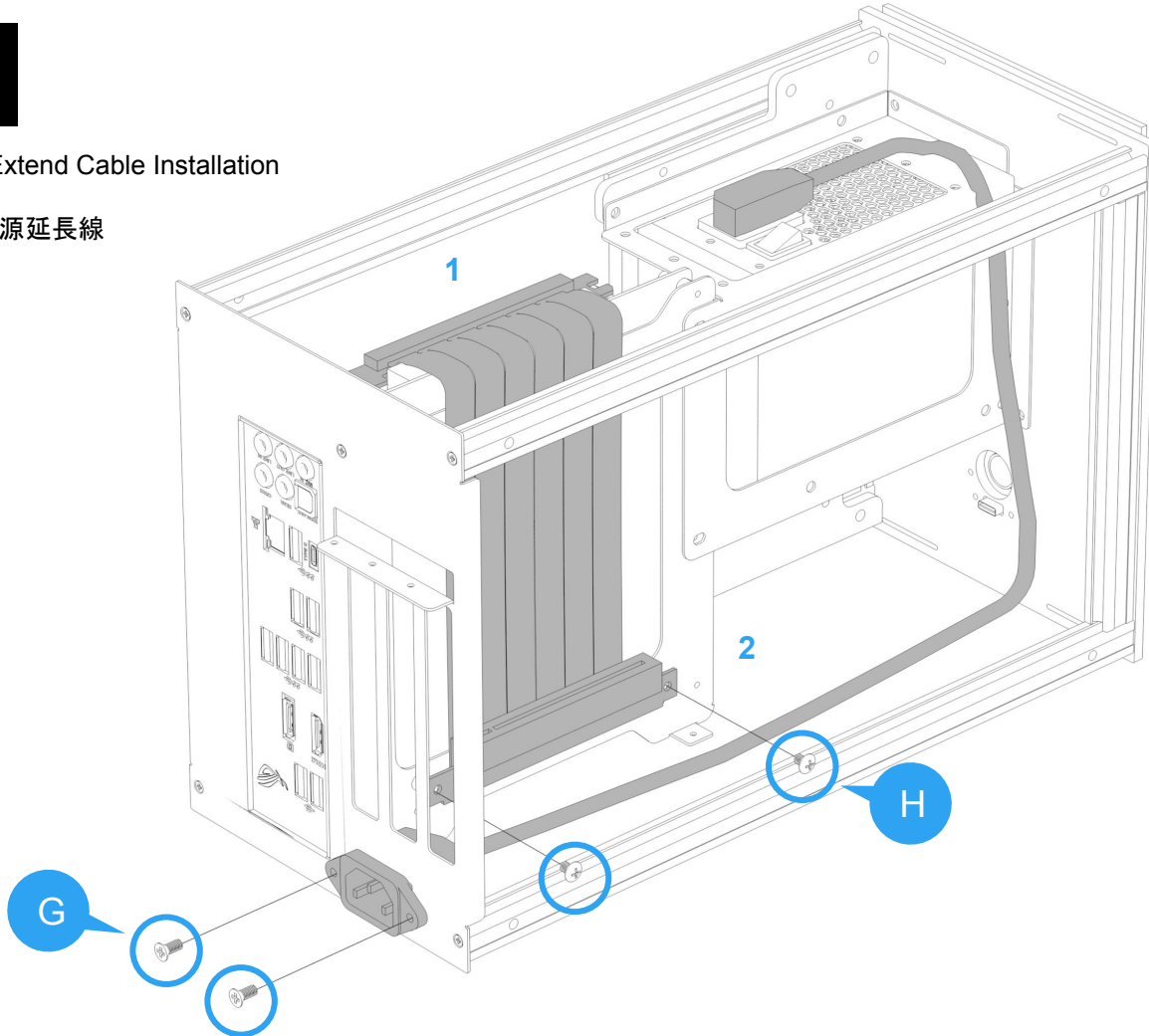
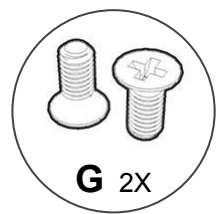


H 4X

# STEP 10

## PCI-e Riser & Power Extend Cable Installation

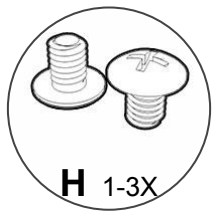
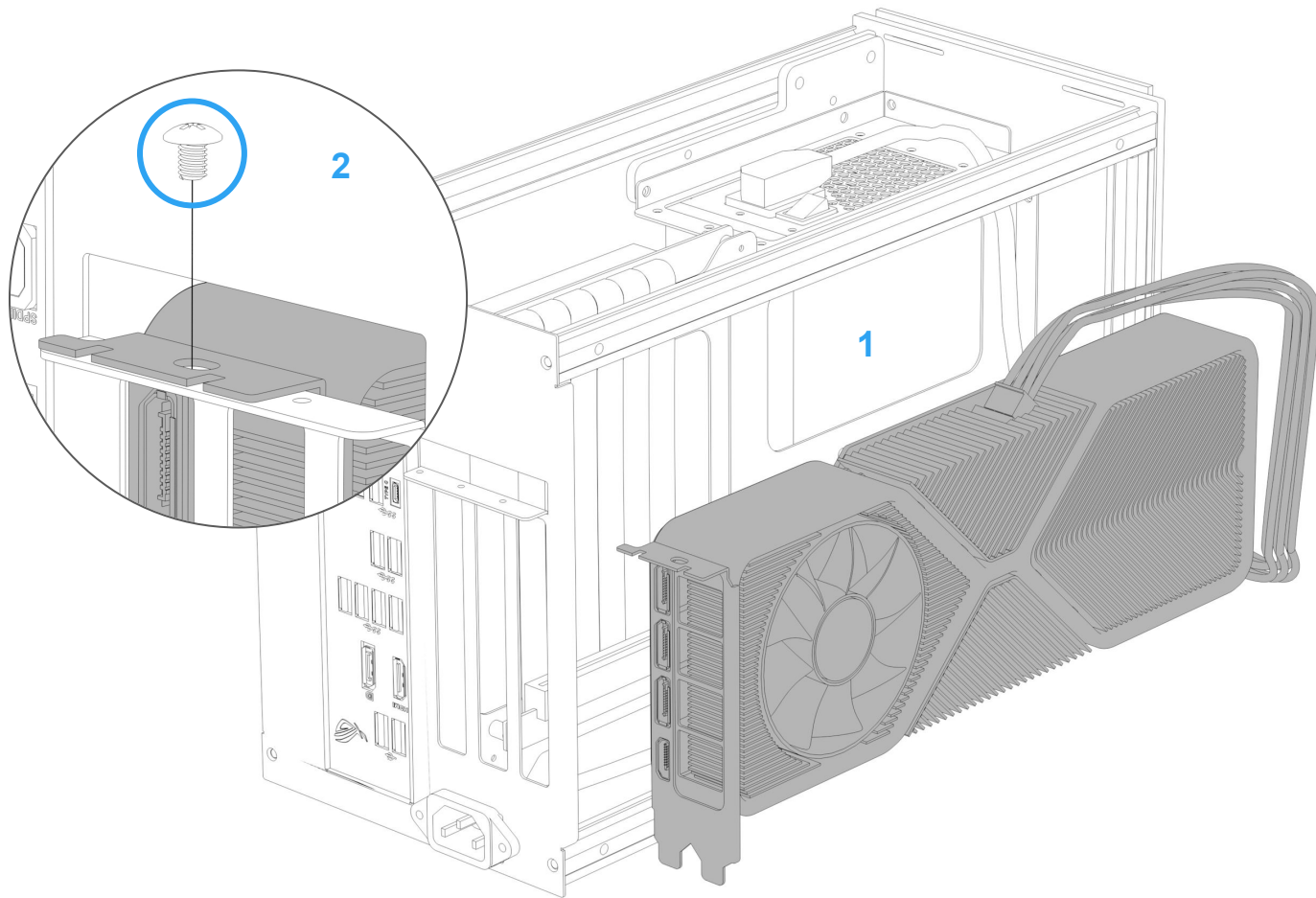
安裝顯示卡延長線及電源延長線



# STEP 11

GPU Card Installation

安裝顯示卡

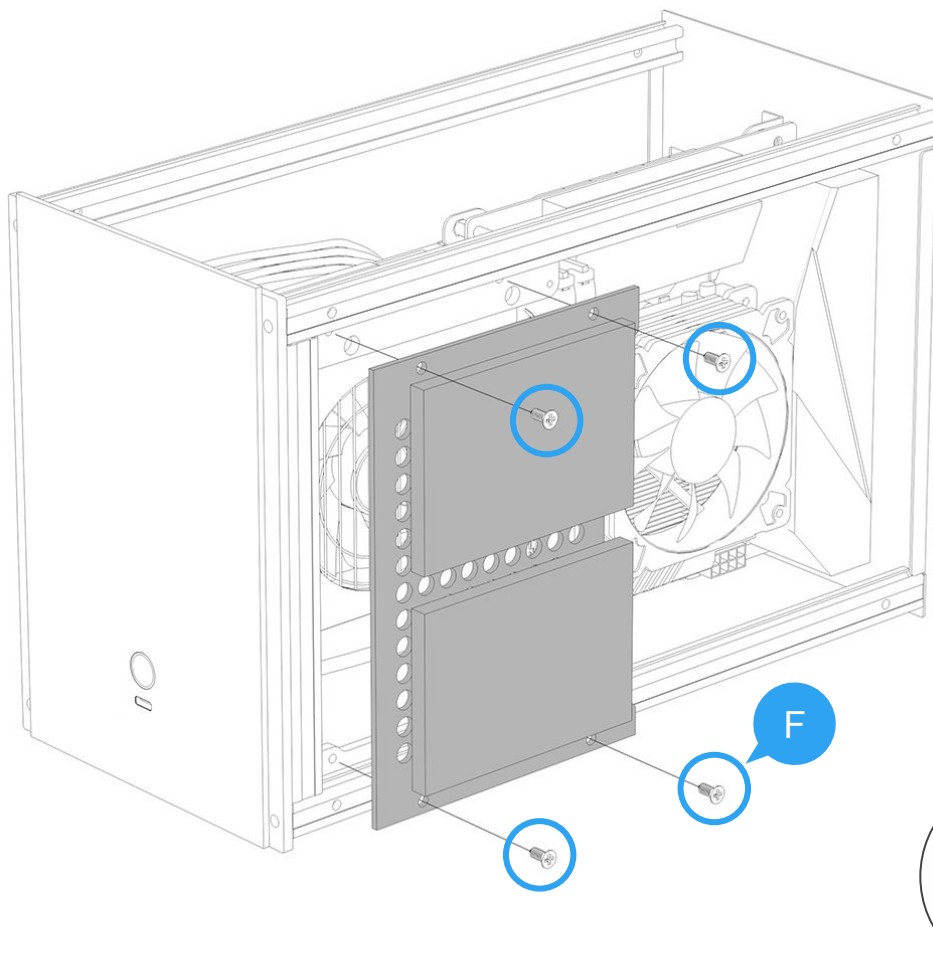
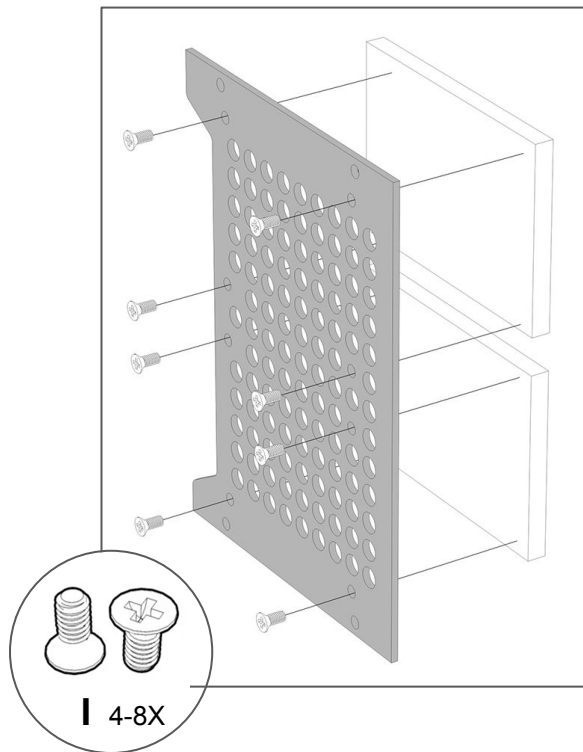


H 1-3X

# STEP 12

## 2.5" SSD/HDD Installation

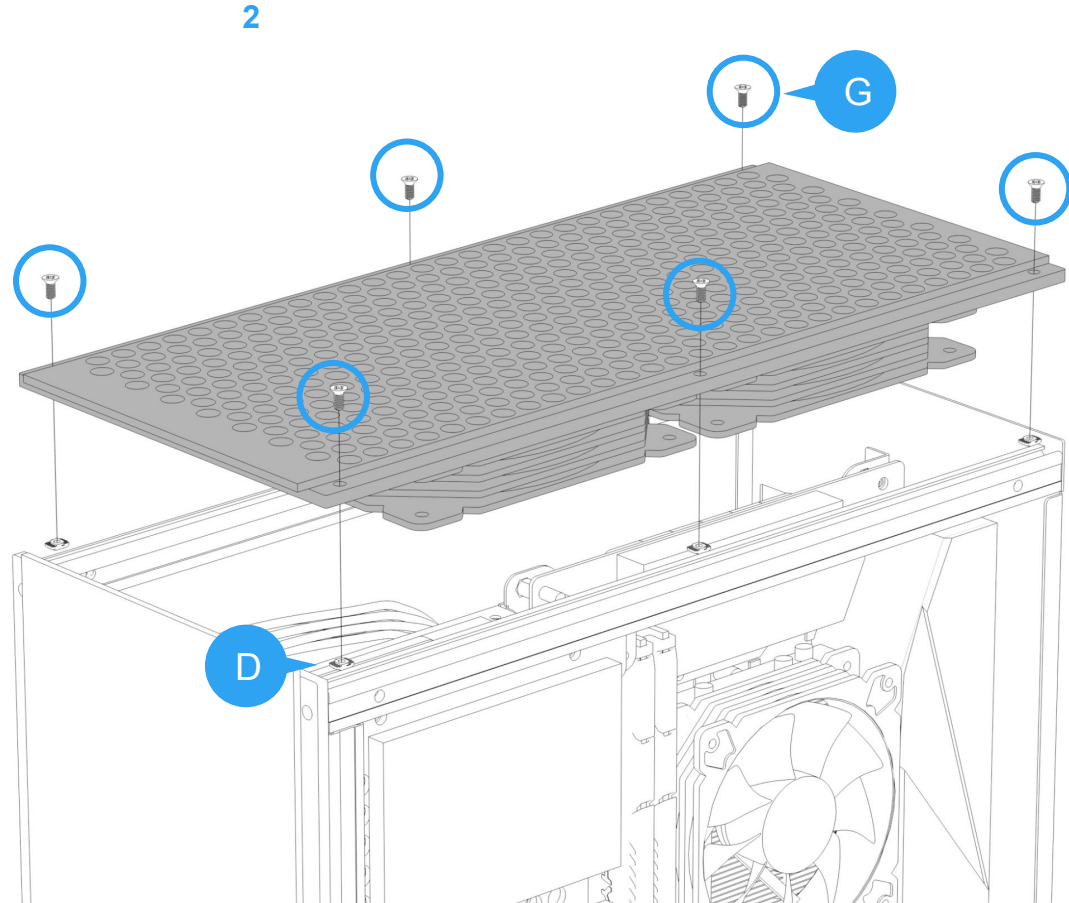
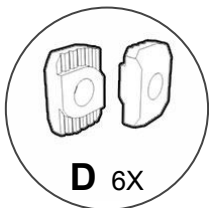
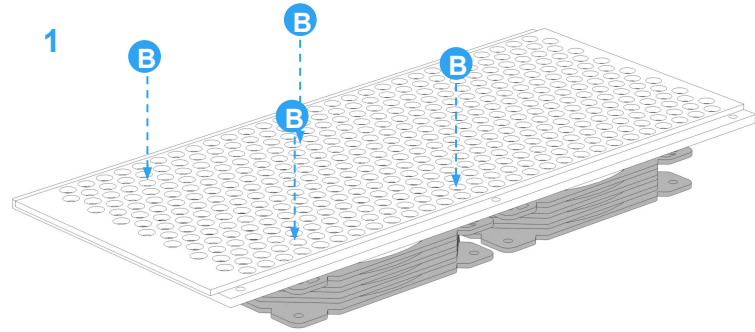
安裝2.5"硬碟



# STEP 13

## Case Fan & Top Panel Installation

安裝機殼風扇及上面板

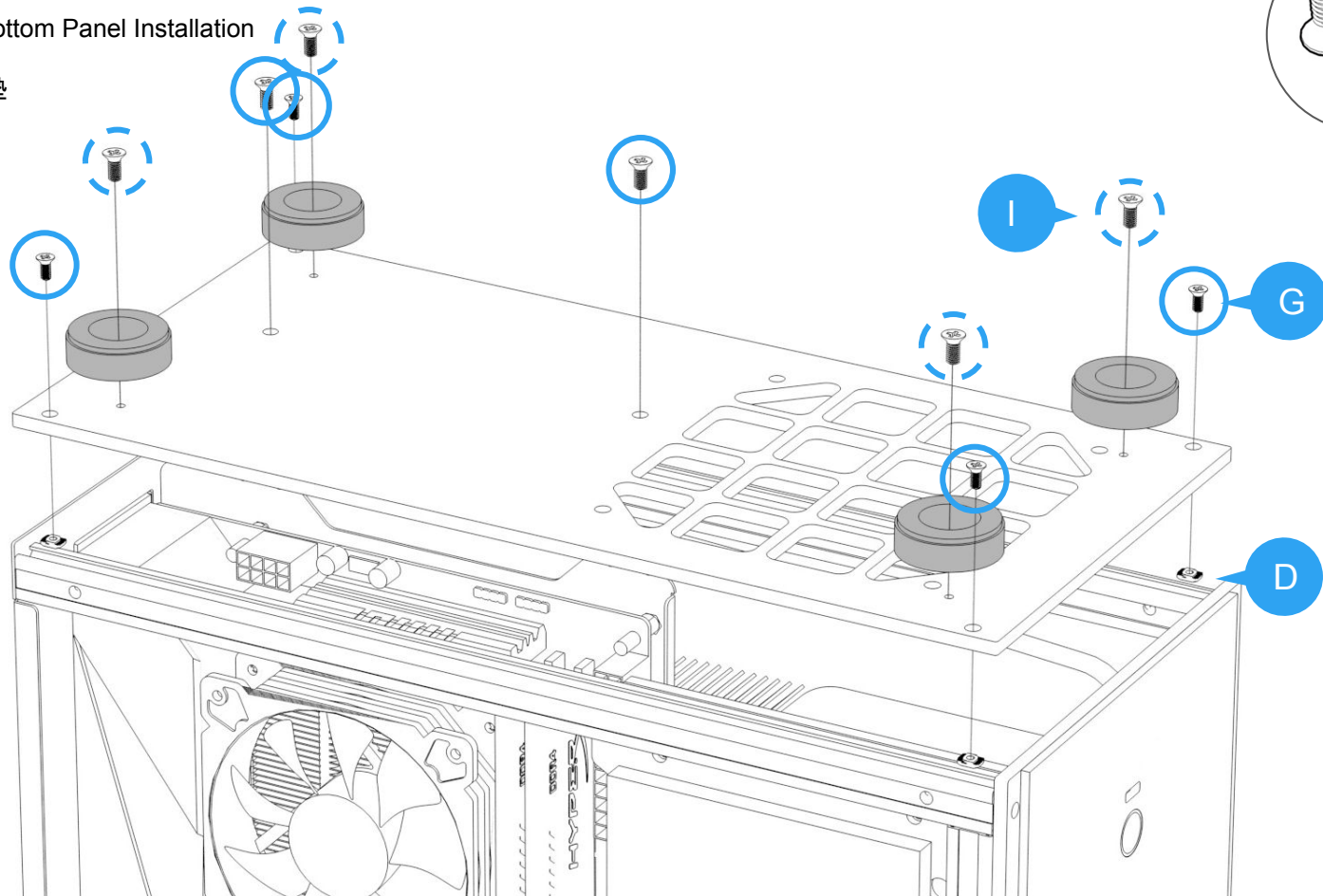
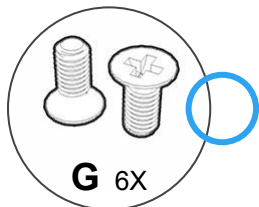
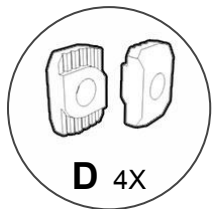




# STEP 14

Footpad & Case Fan, Bottom Panel Installation

安裝機殼風扇,底蓋及腳墊



# STEP 15

Side Panel Installation

安裝側板



Place the case in horizontal, then install the side panel

請將機殼平躺後再安裝側板

