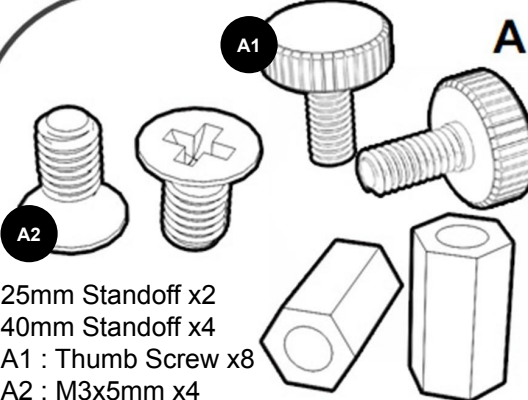

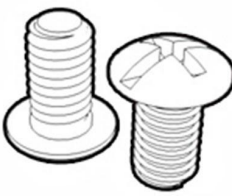
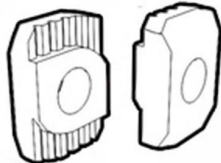
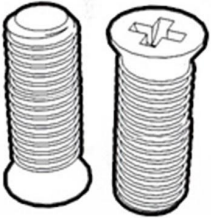
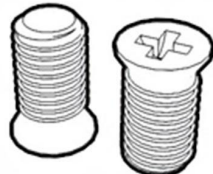
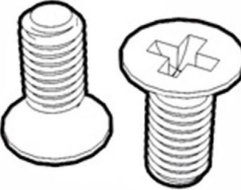

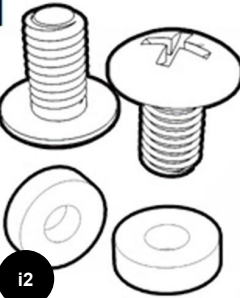


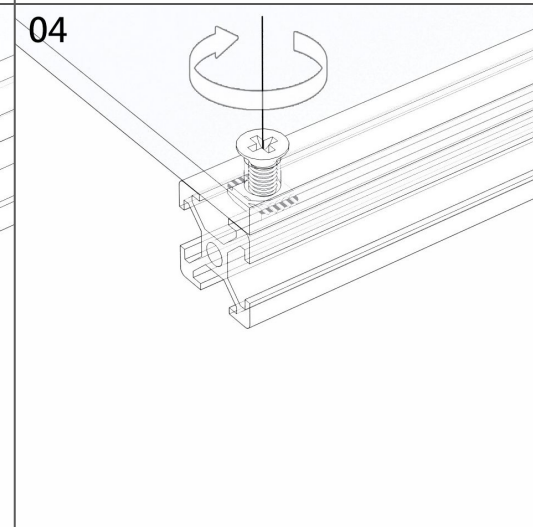
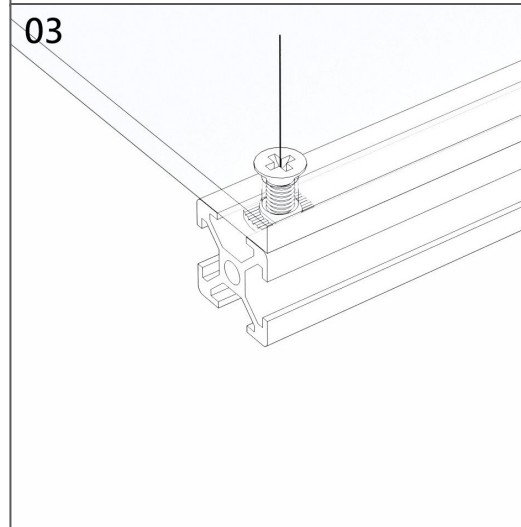
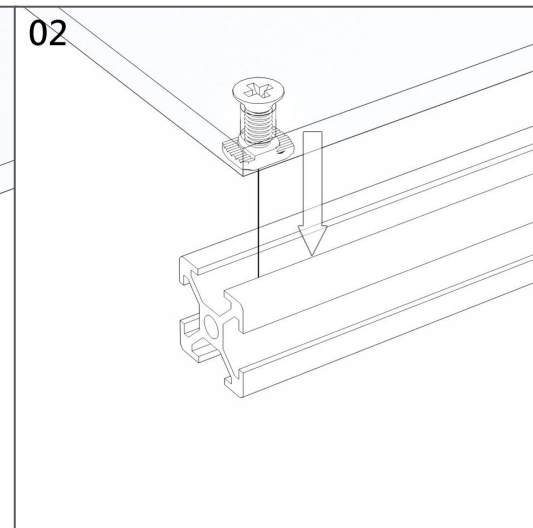
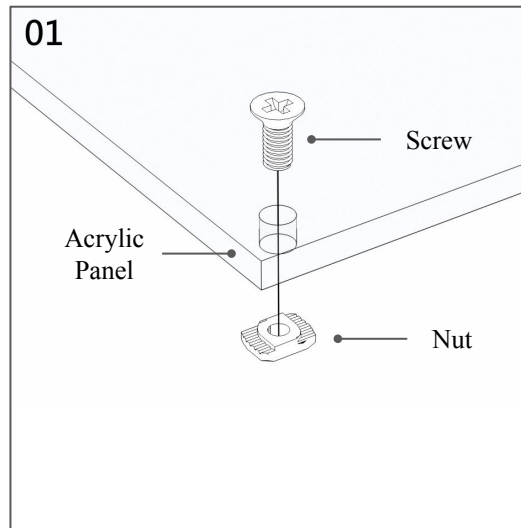
Version 2.0

A31 V2 INSTALLATION GUIDE

SCREWS LIST

 <p>A1</p> <p>A2</p> <p>25mm Standoff x2 40mm Standoff x4 A1 : Thumb Screw x8 A2 : M3x5mm x4</p>	<p>A</p>  <p>B</p> <p>Screws for Fan</p>	<p>C</p>  <p>Screws for Power Supply</p>	<p>D</p>  <p>M3 T type Nut</p>	
<p>E</p>  <p>M4x14mm</p>	<p>F</p>  <p>M4x8mm</p>	<p>G</p>  <p>M3x8mm</p>	<p>H</p>  <p>M3x5mm</p>	<p>I</p>  <p>i2</p> <p>M3x10mm Plastic Pad x2</p>

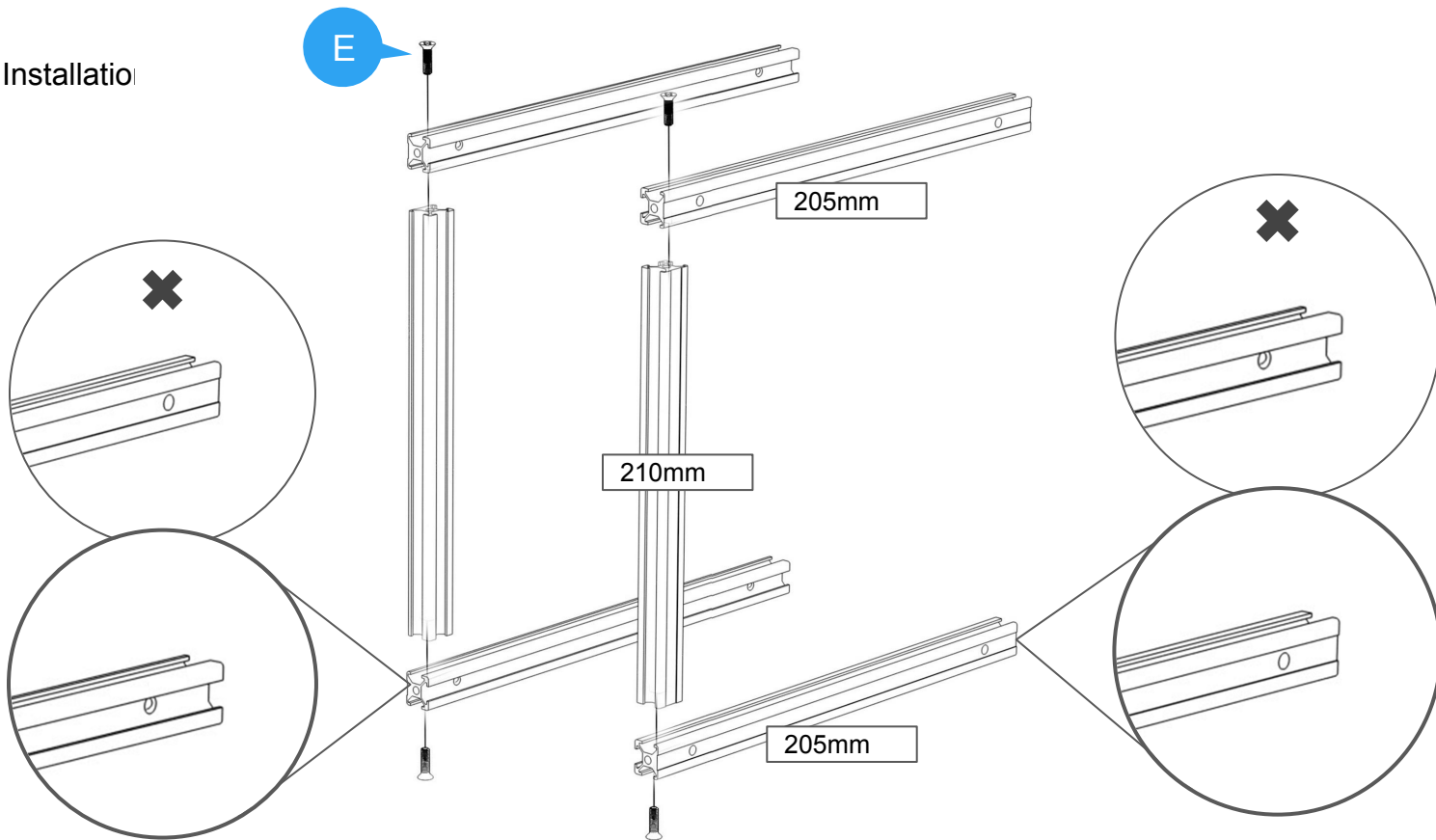
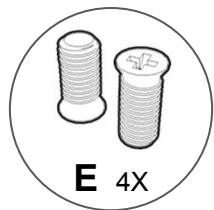
Aluminum Frame Installation



Please read the "Aluminum Frame installation" before assembling this case

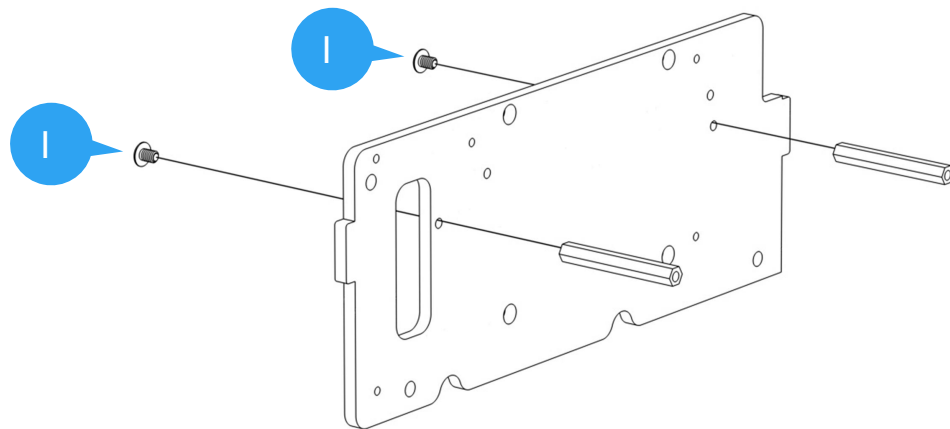
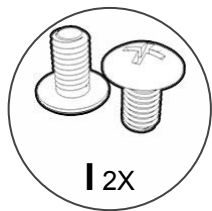
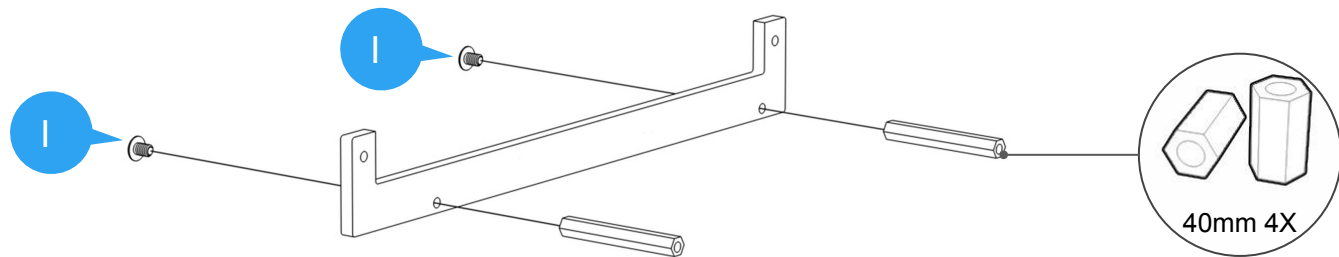
STEP 01

Aluminum Frame Installatio



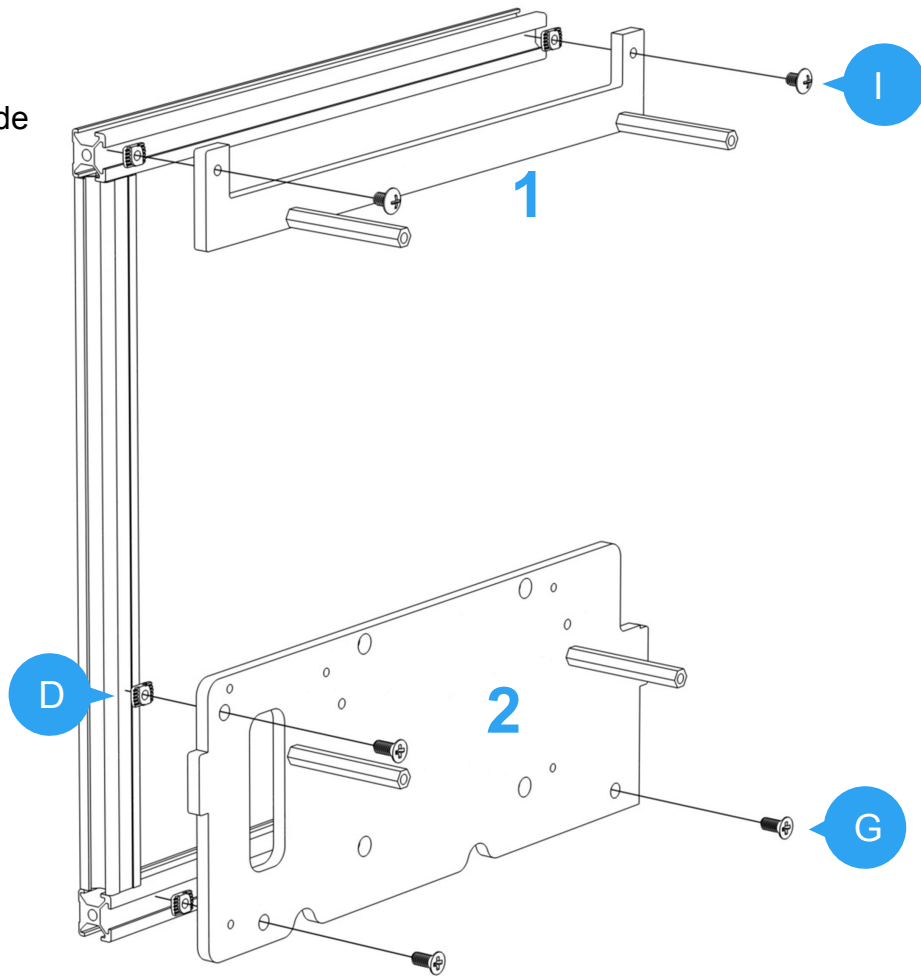
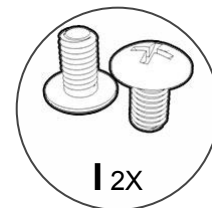
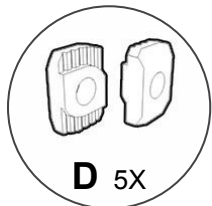
STEP 02

Install the M/B Standoffs



STEP 03

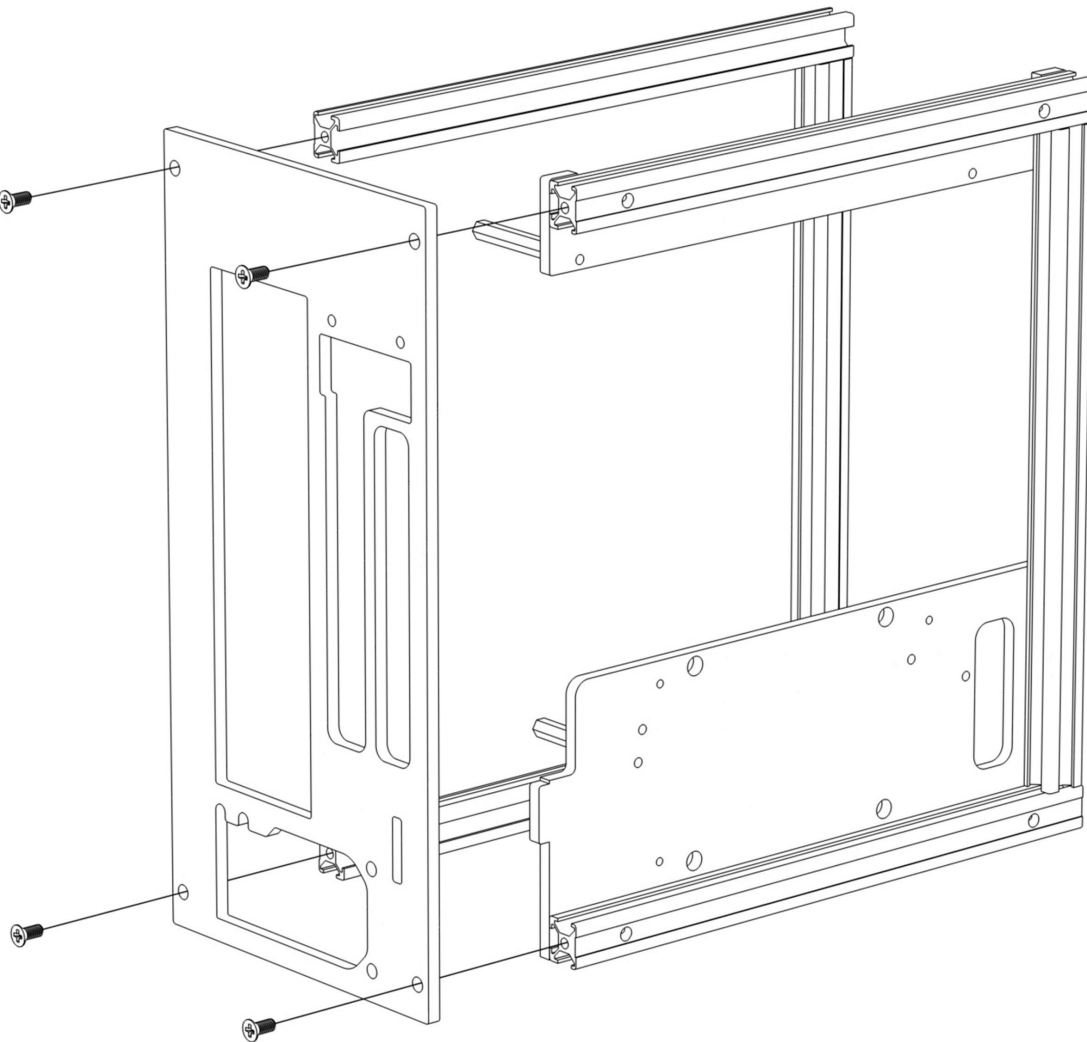
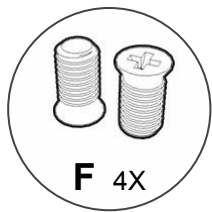
Install ① Left Upper and ② Lower Side Brackets on the Aluminum Frame



STEP 04

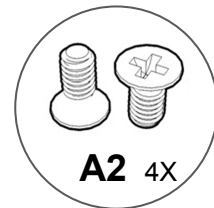
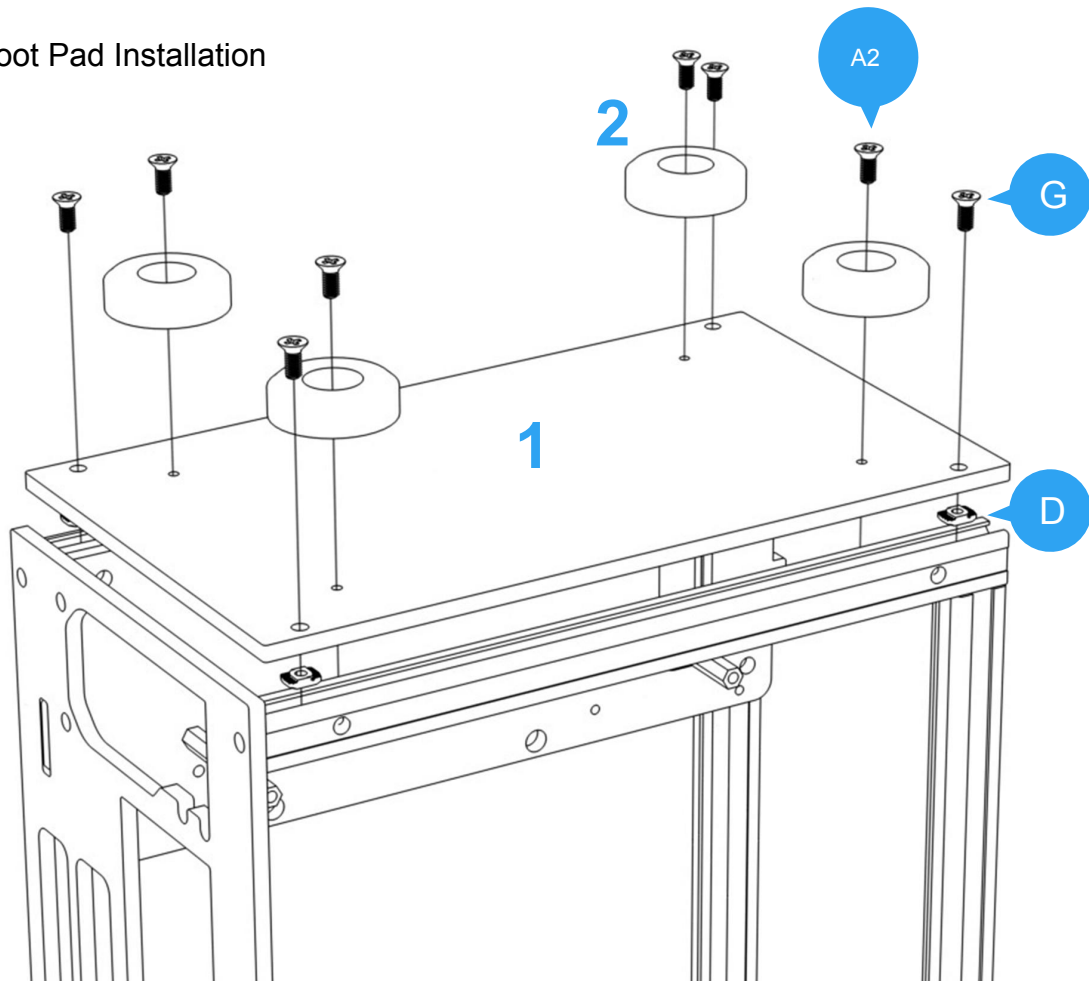
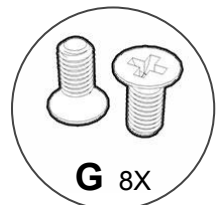
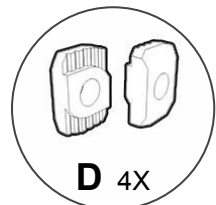
Rear Panel Installation

F



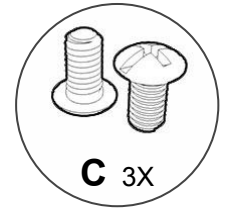
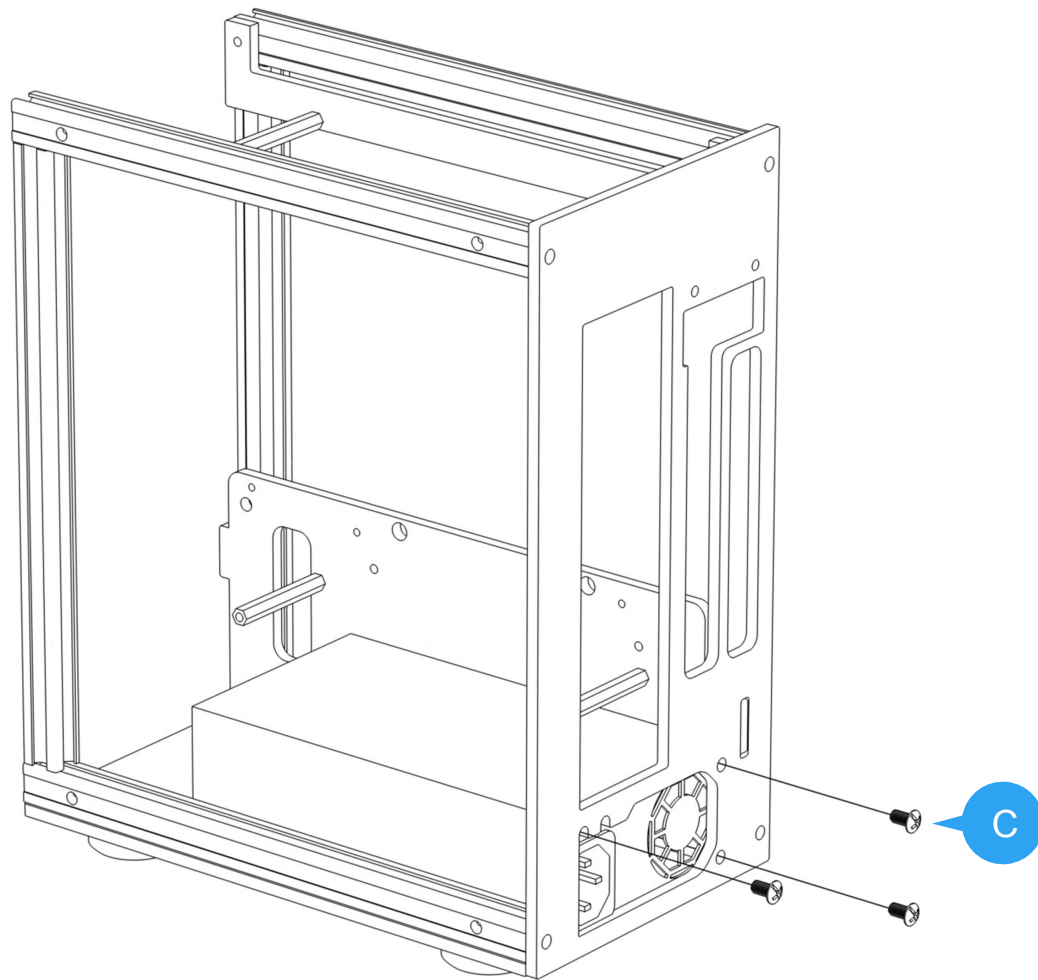
STEP 05

① Bottom Panel and ② Foot Pad Installation



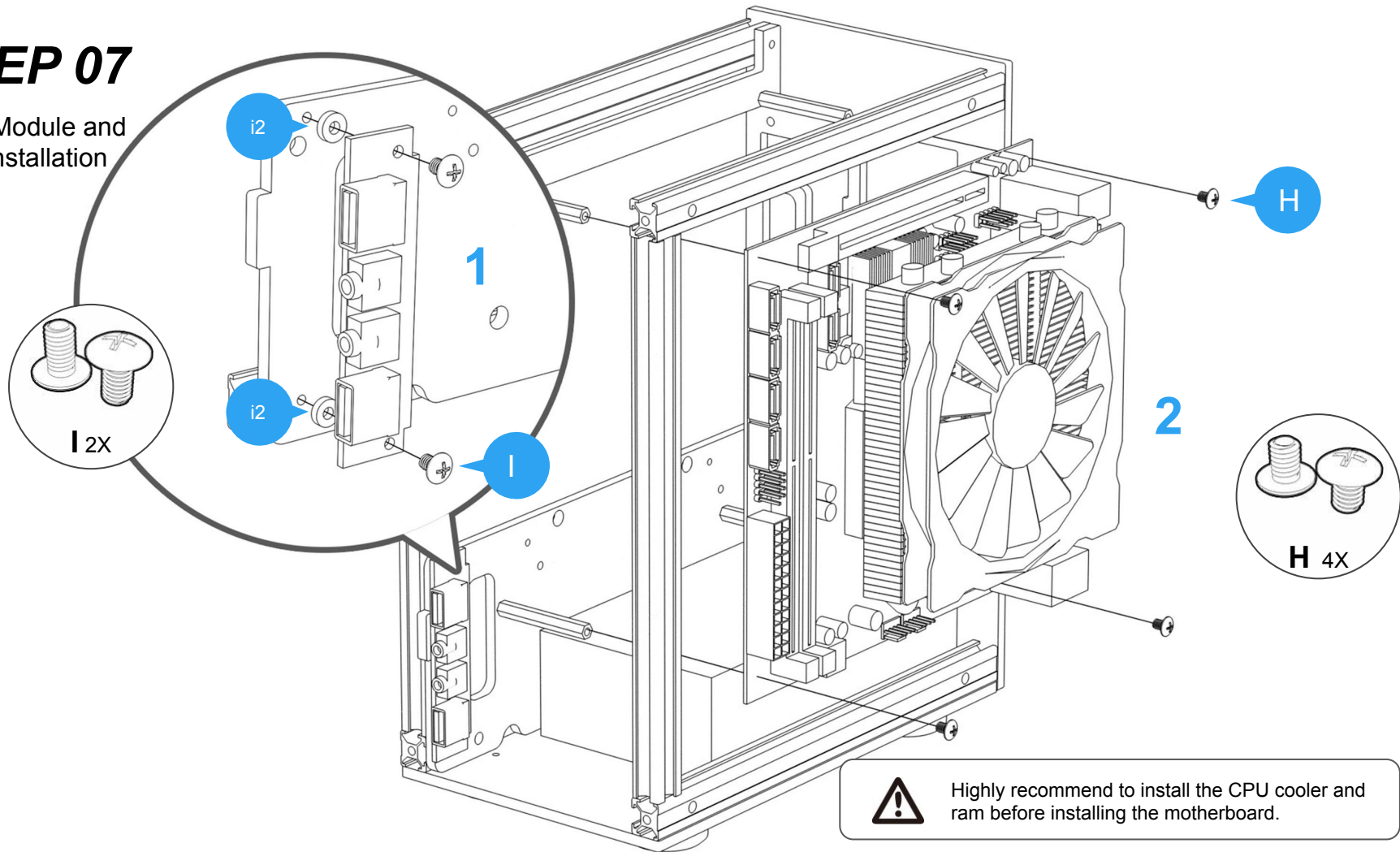
STEP 06

Power Supply Installation



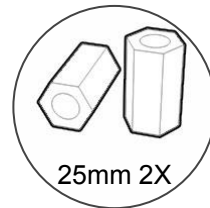
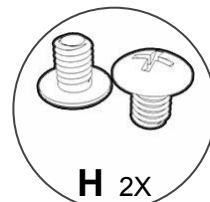
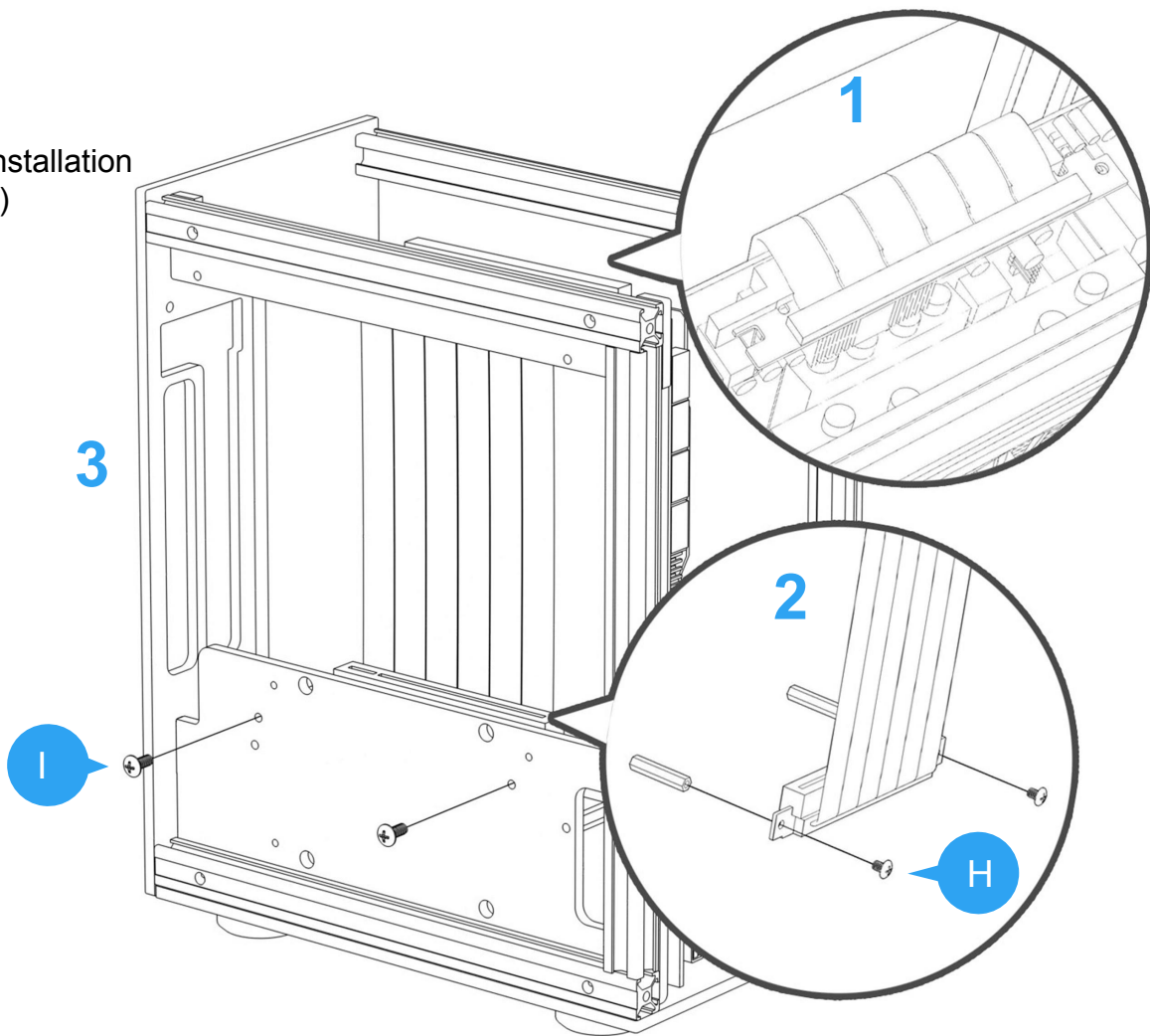
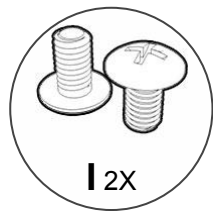
STEP 07

USB Module and
M/B Installation



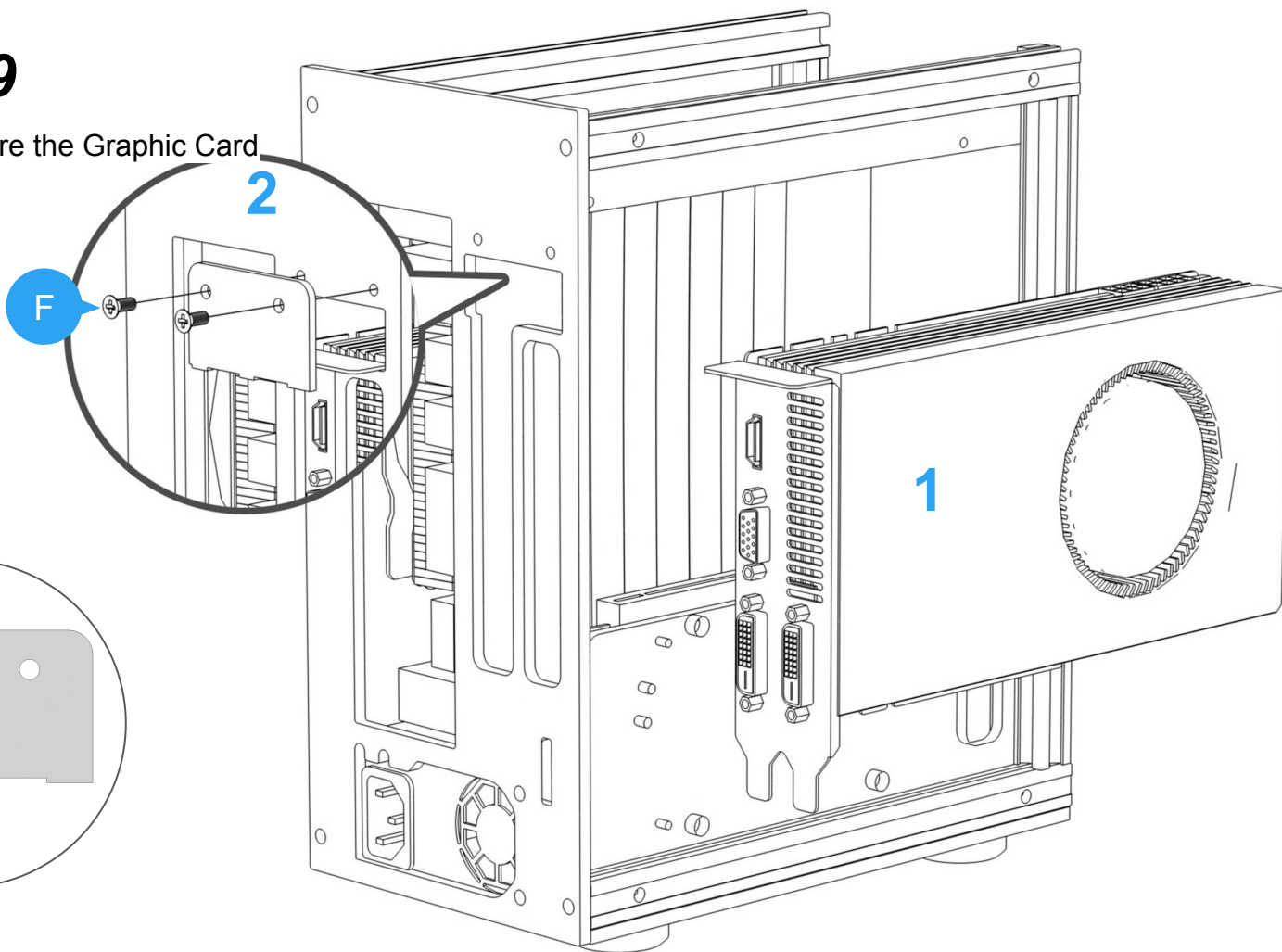
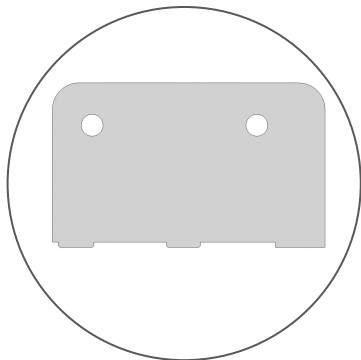
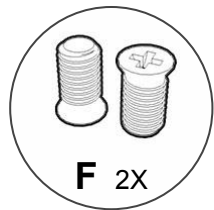
STEP 08

PCIe Riser Cable Installation
(Optional Purchase)



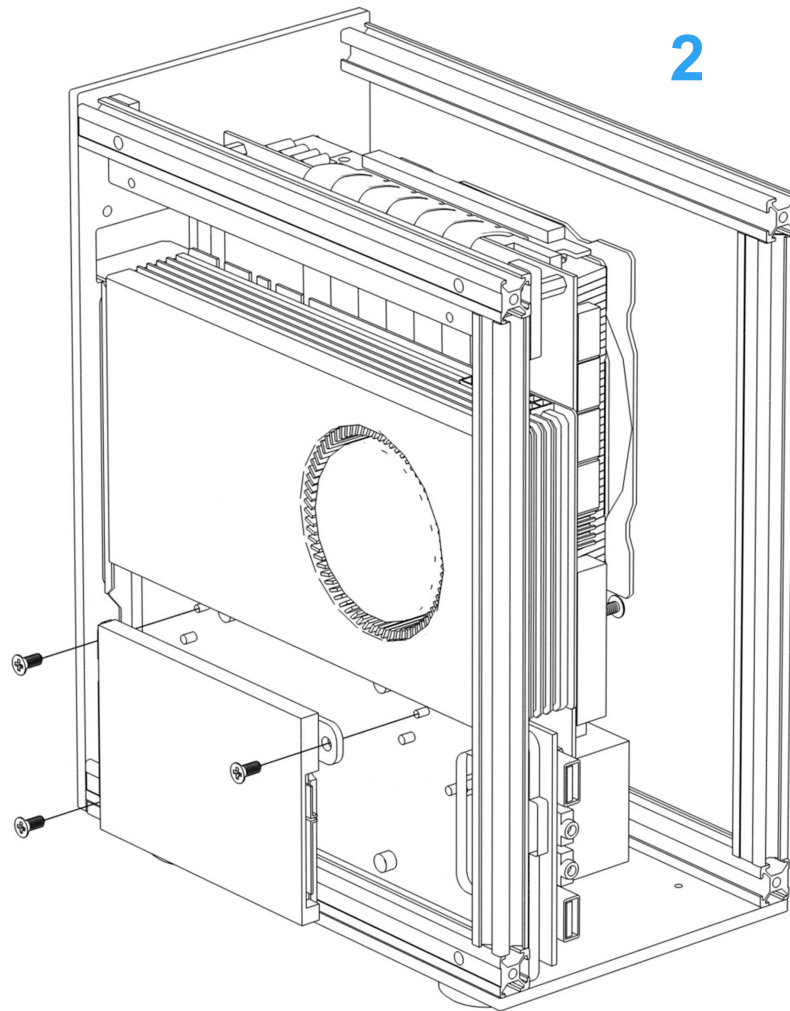
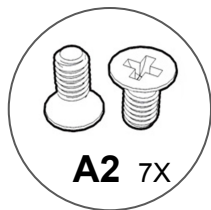
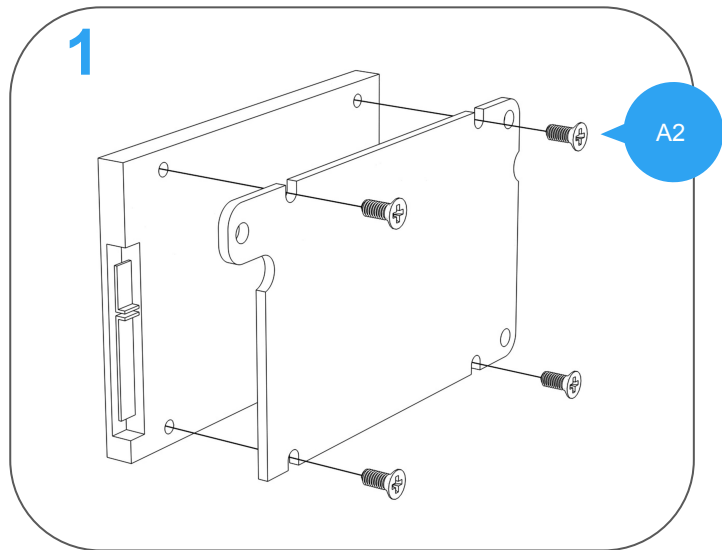
STEP 09

Install and Secure the Graphic Card



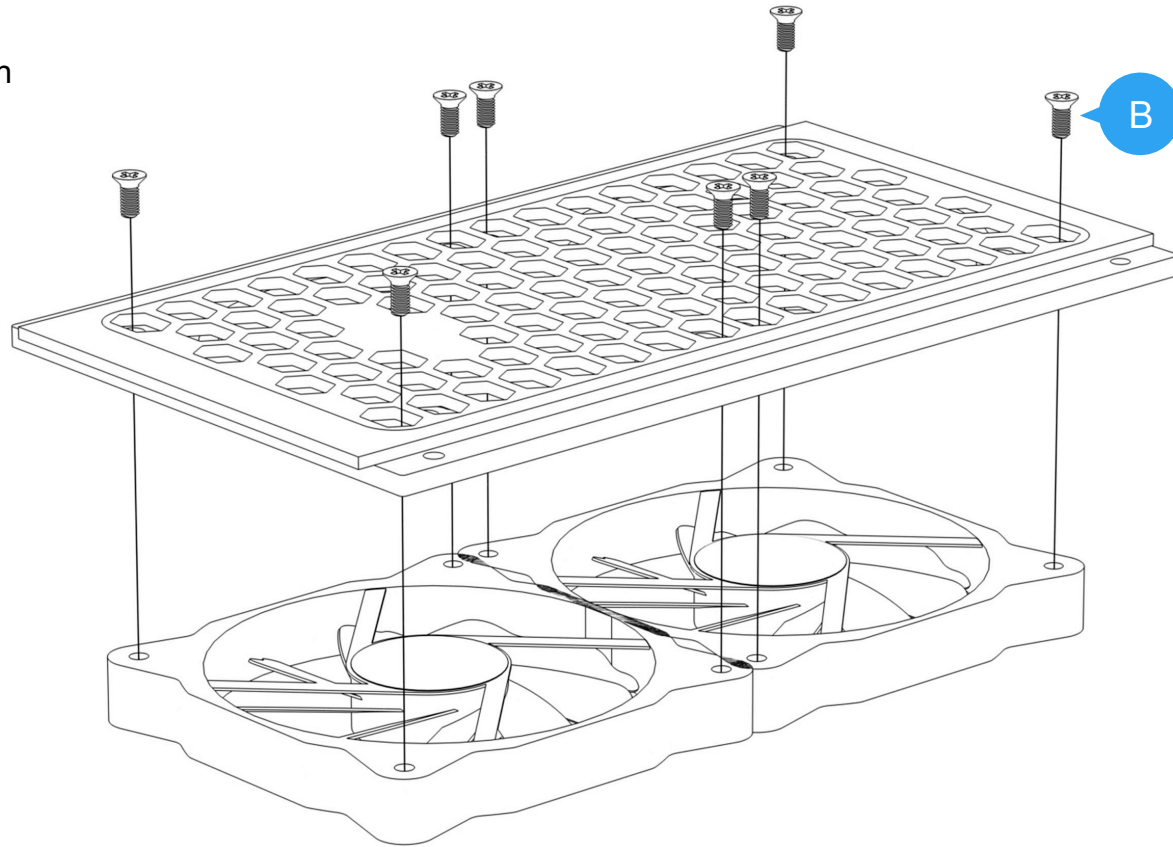
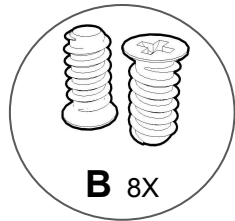
STEP 10

2.5" SSD/HDD Installation



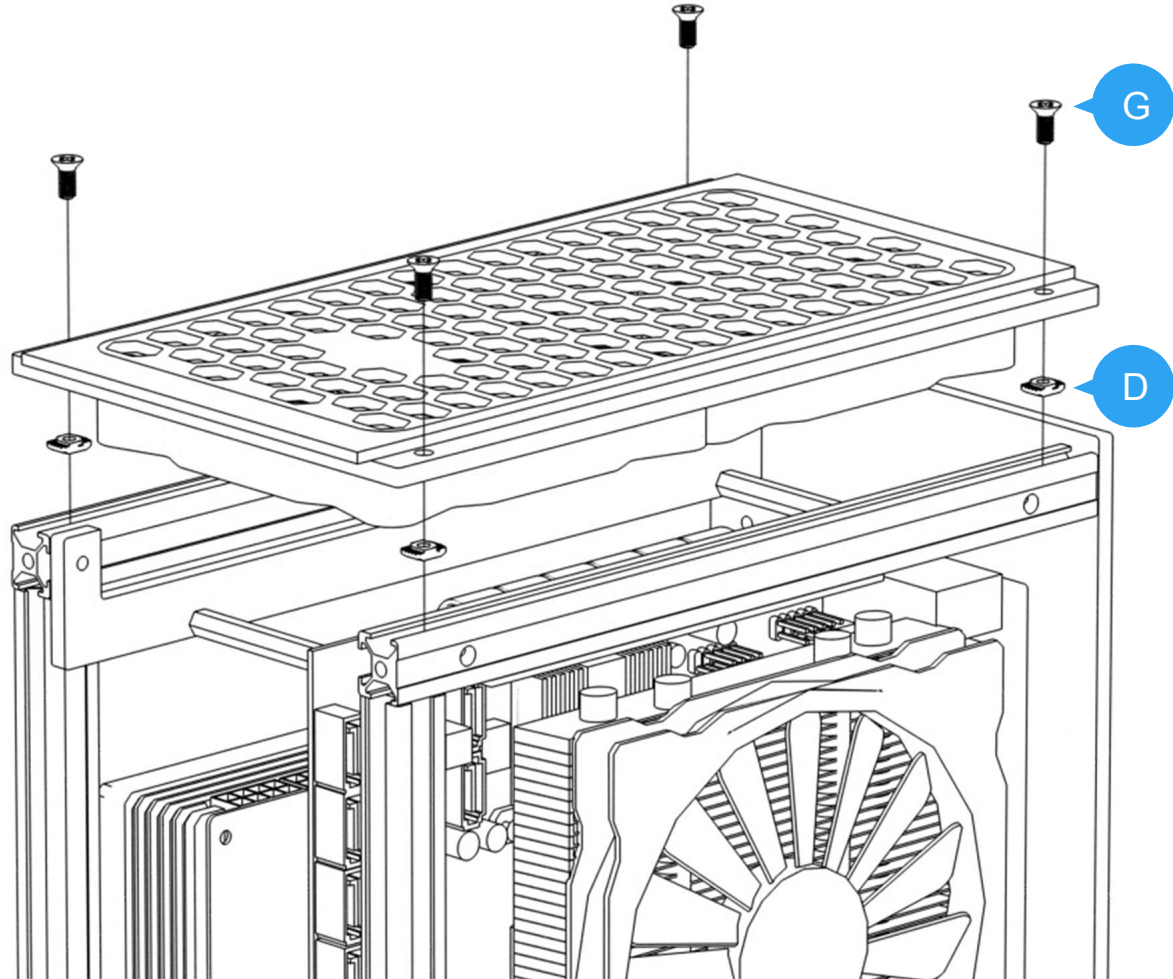
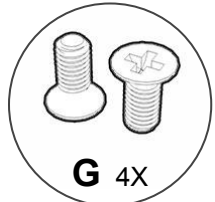
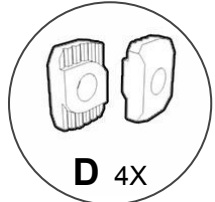
STEP 11

Case Fan Installation



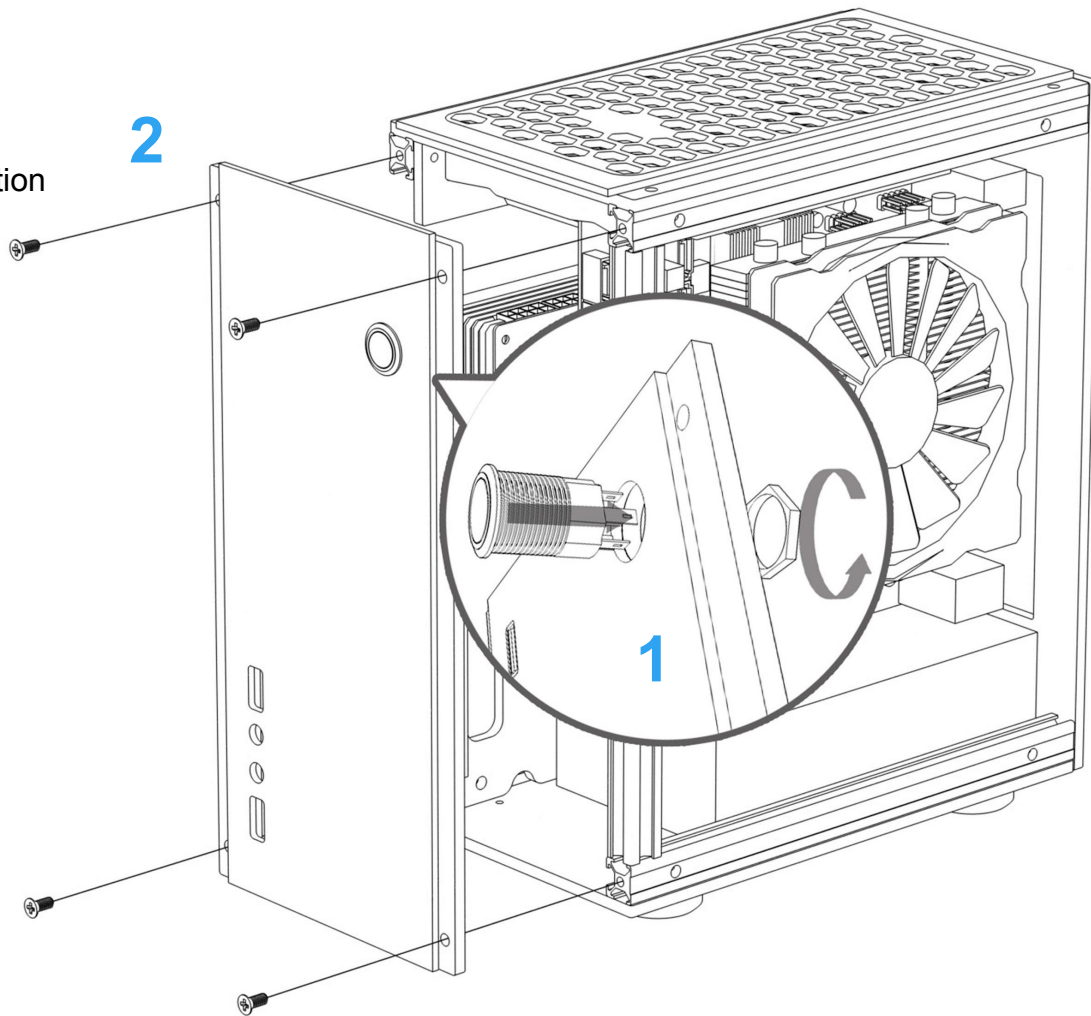
STEP 12

Top Panel Installation



STEP 13

- ① Power Switch and
- ② Front Panel Installation



STEP 14

Side Panels Installation

