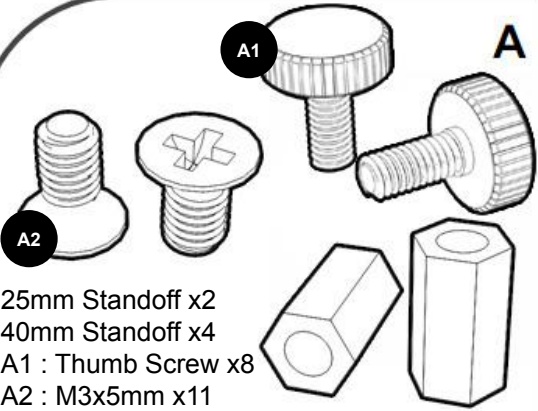


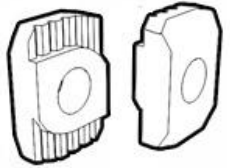
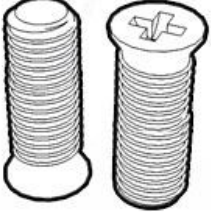
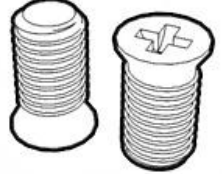
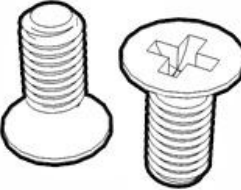






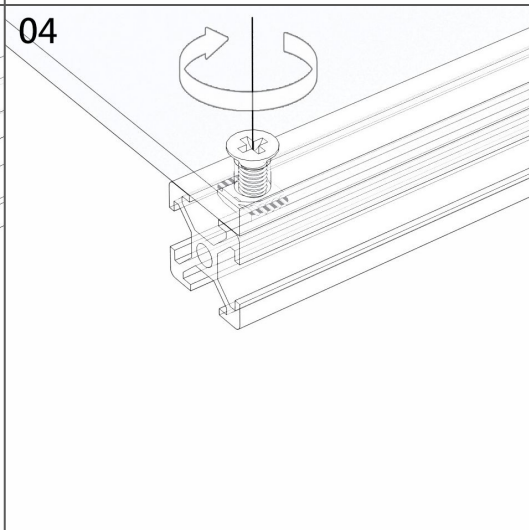
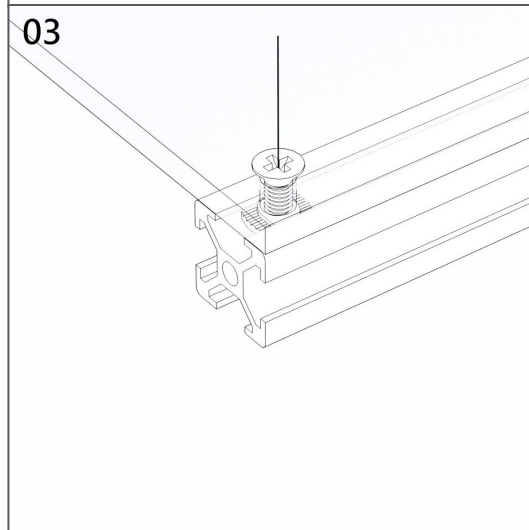
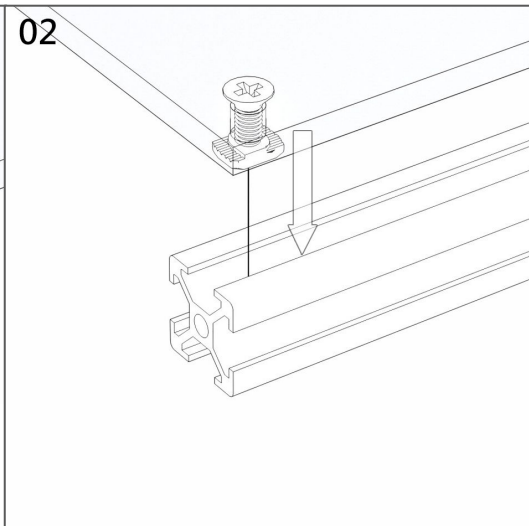
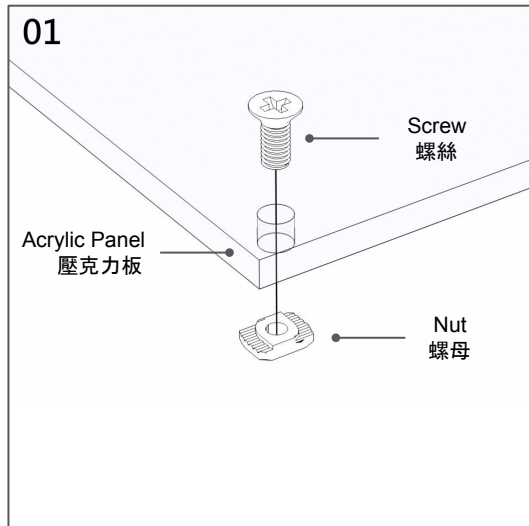
**Version 2.0**

# **A30 V2 INSTALLATION GUIDE**

# SCREWS LIST

 <p><b>A1</b></p> <p><b>A2</b></p> <p>25mm Standoff x2 40mm Standoff x4 A1 : Thumb Screw x8 A2 : M3x5mm x11</p>	<p><b>B</b></p>  <p>Screws for Fan</p>	<p><b>C</b></p>  <p>Screws for Power Supply</p>	<p><b>D</b></p>  <p>M3 T type Nut</p>	
<p><b>E</b></p>  <p>M4x14mm</p>	<p><b>F</b></p>  <p>M4x8mm</p>	<p><b>G</b></p>  <p>M3x8mm</p>	<p><b>H</b></p>  <p>M3x5mm</p>	<p><b>I</b></p>  <p>M3x10mm</p>

# Aluminum Frame Installation 鋁框架安裝說明

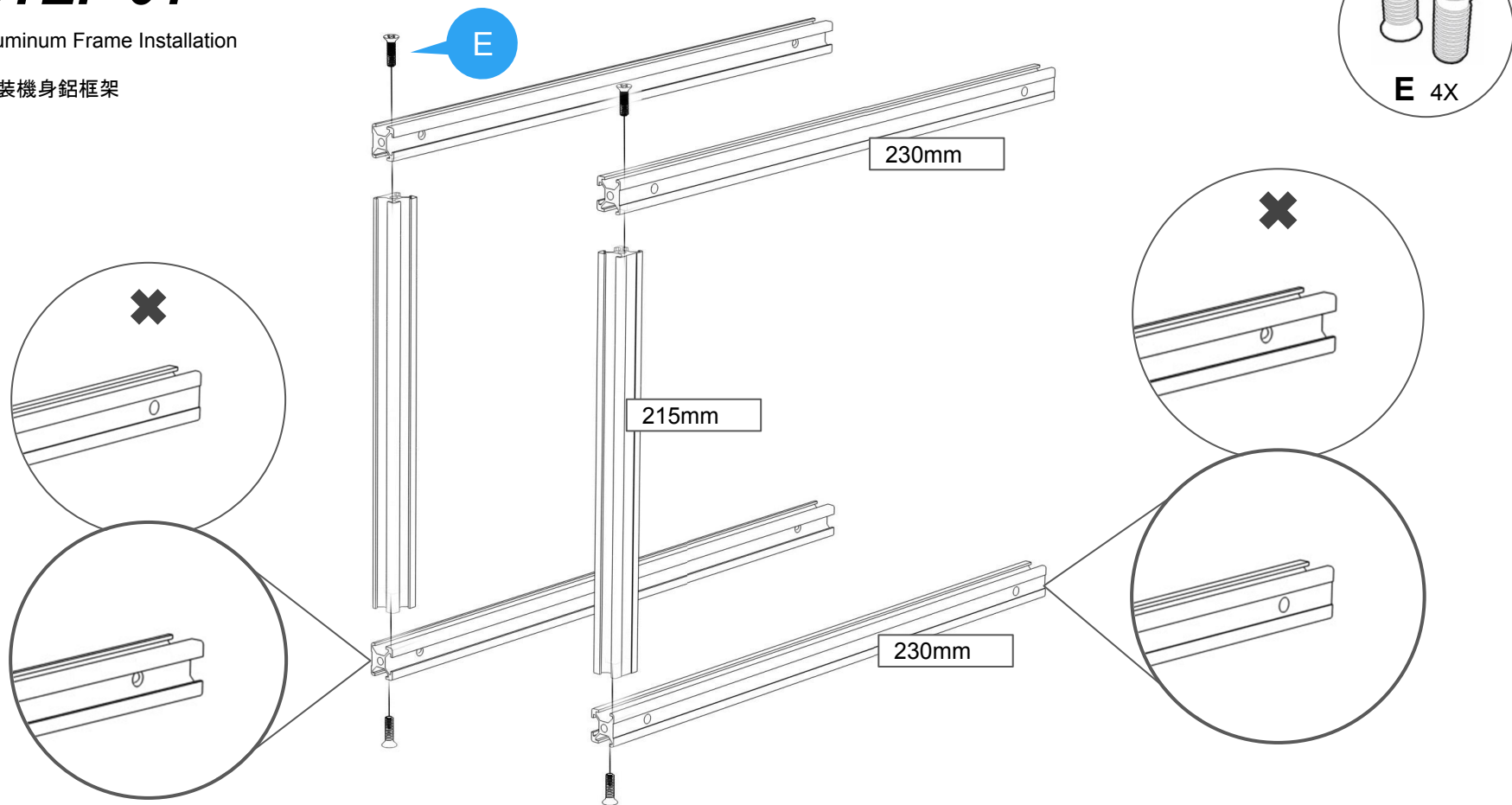


Please read the "Aluminum Frame installation" before assembling this case  
安裝前請務必先理解鋁框架如何安裝

# STEP 01

Aluminum Frame Installation

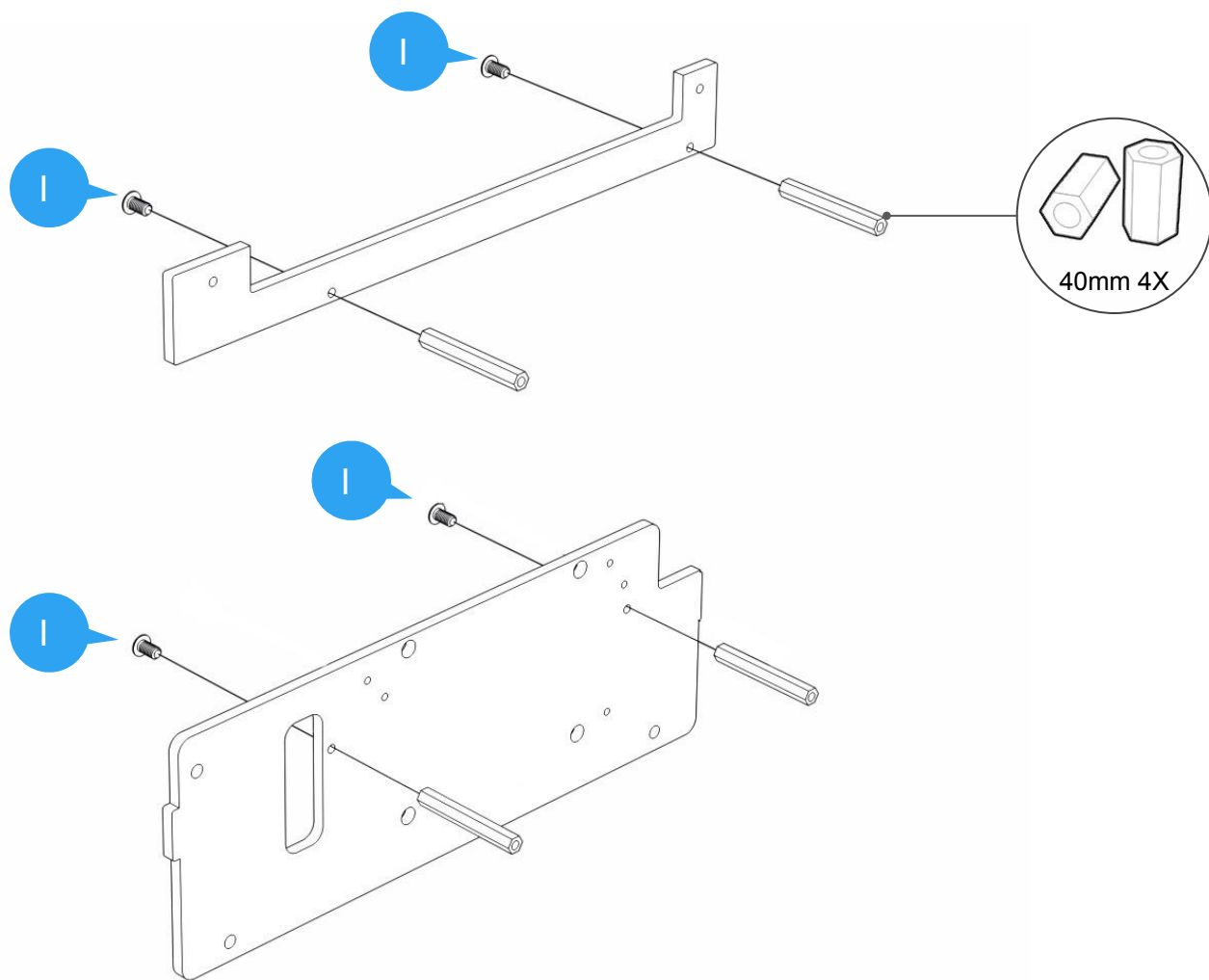
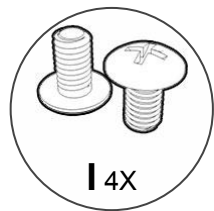
安裝機身鋁框架



# STEP 02

Install the M/B Standoffs

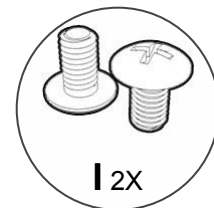
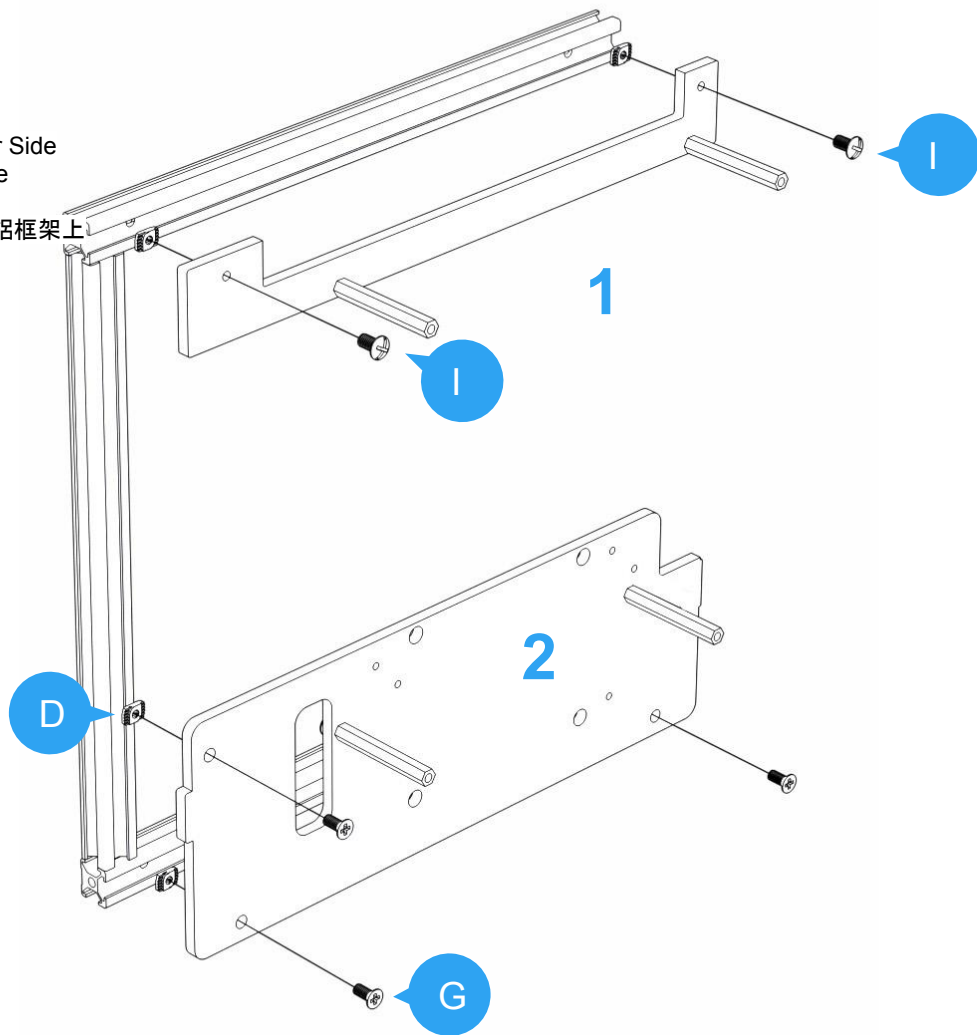
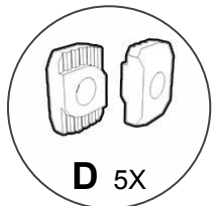
安裝主機板銅柱



# STEP 03

Install ①Left Upper and ②Lower Side Brackets on the Aluminum Frame

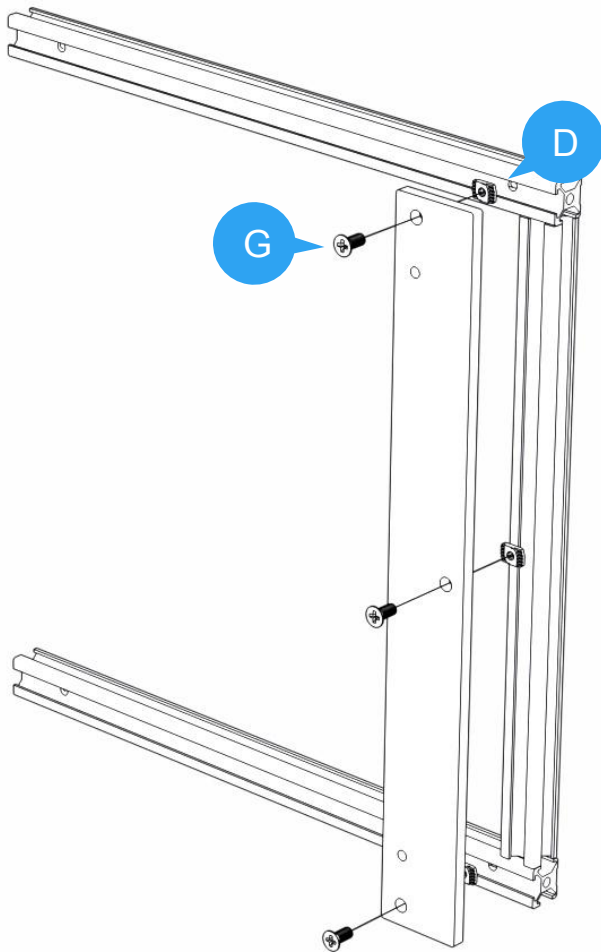
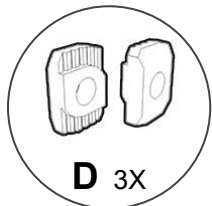
安裝左上支架及左下支架到左側鋁框架上



# STEP 04

Install Right Side Brackets on the Aluminum Frame

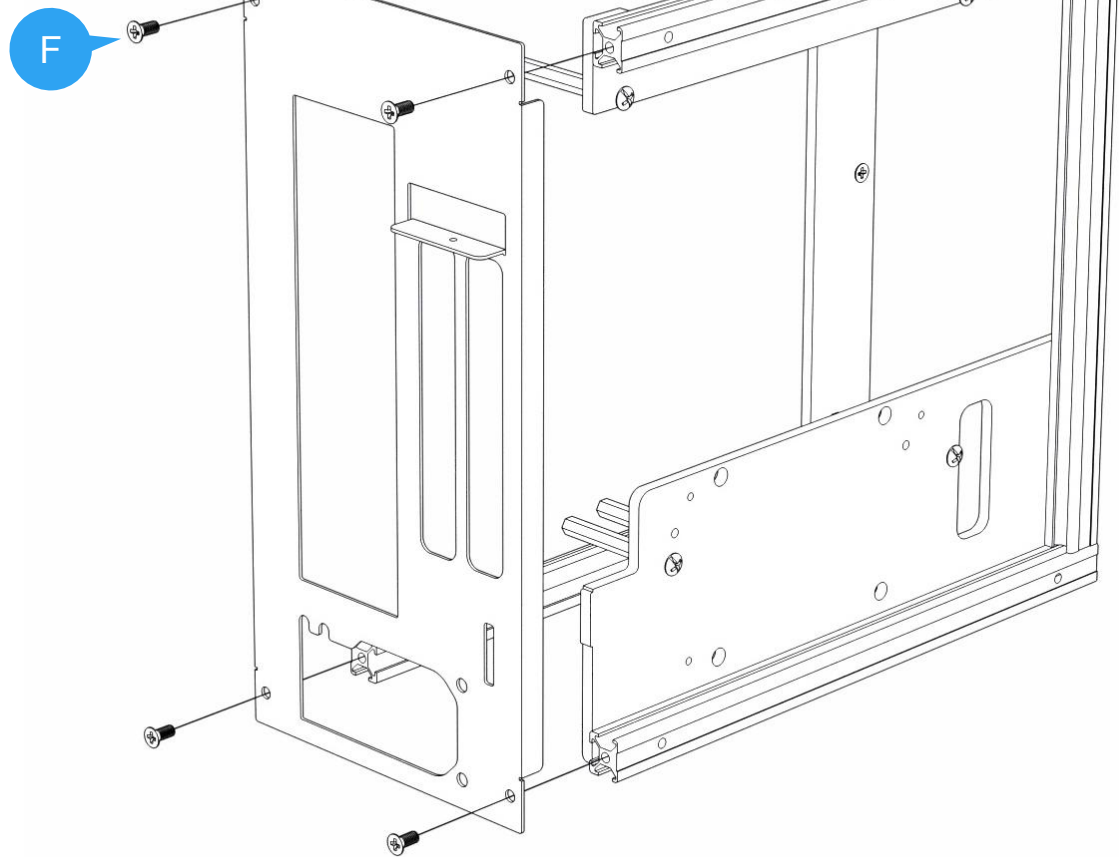
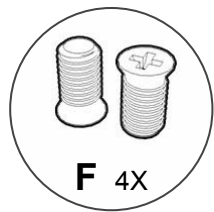
安裝右側支架到右側鋁框架上



# STEP 05

Rear Panel Installation

安裝後背板

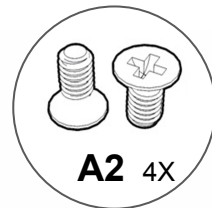
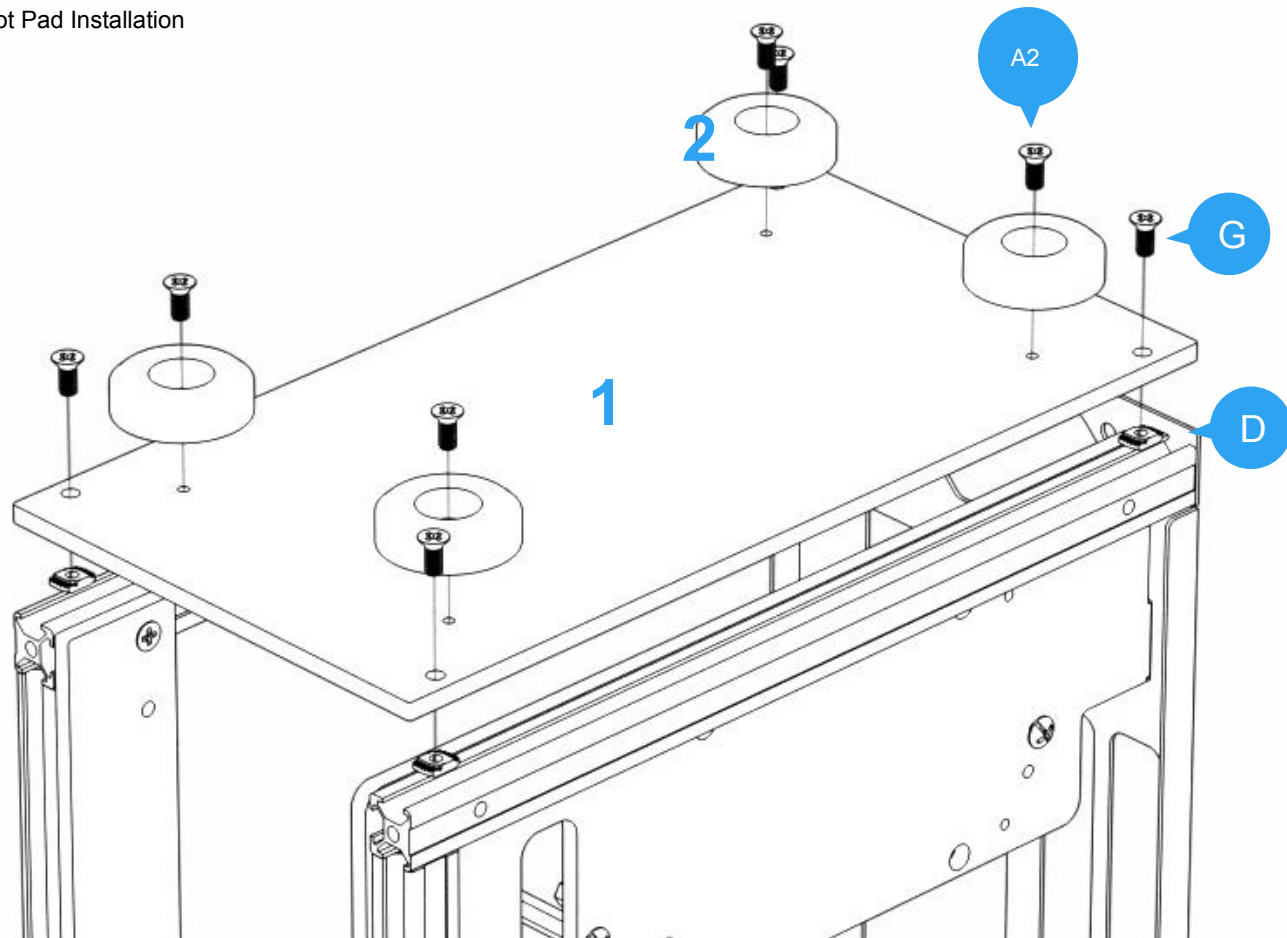
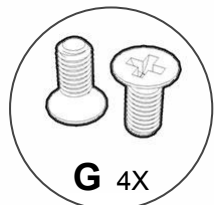
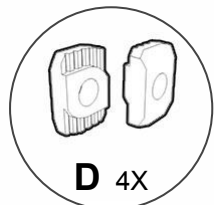




# STEP 06

①Bottom Panel and ②Foot Pad Installation

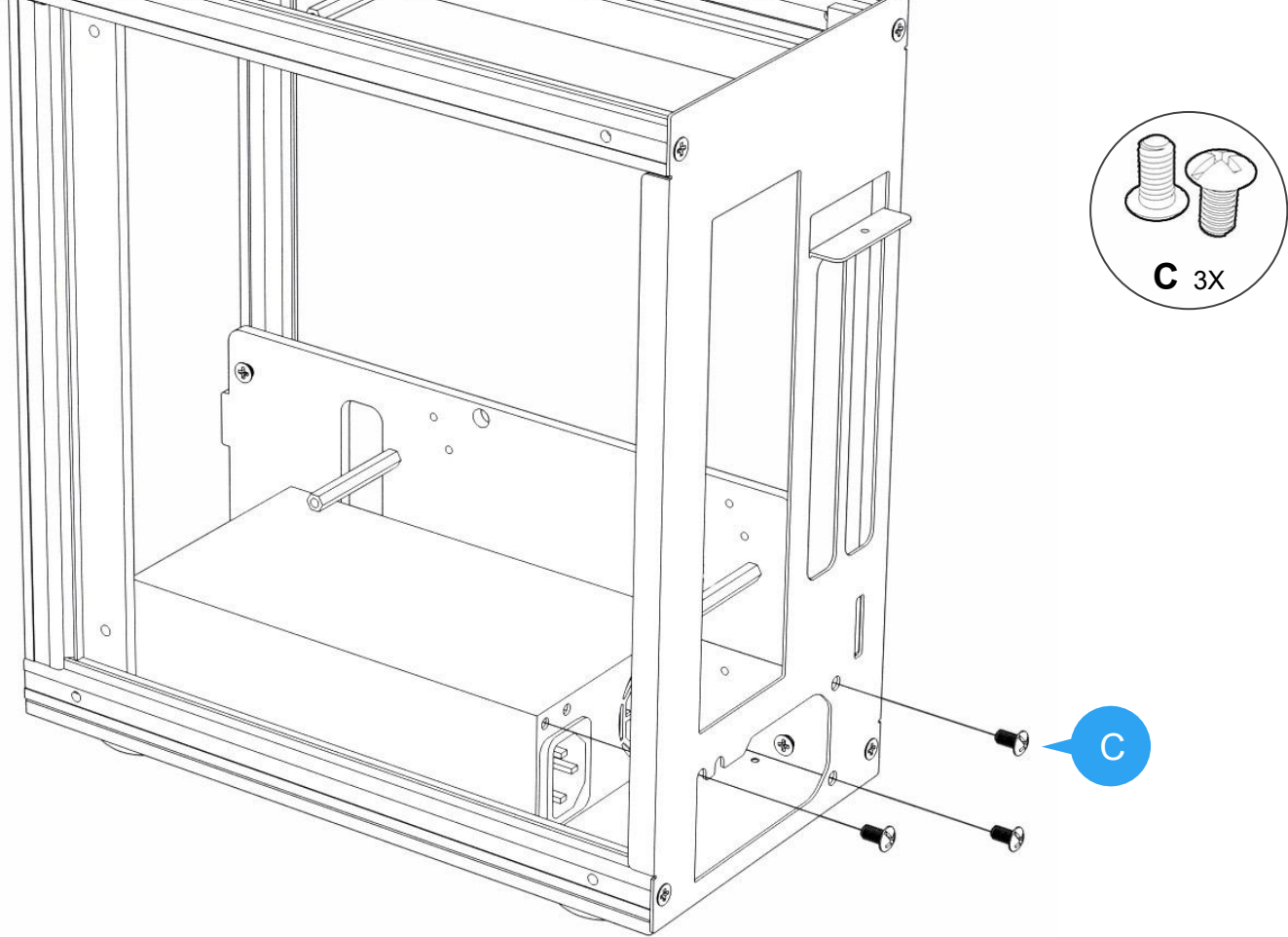
安裝①底蓋及②腳墊



# STEP 07

Power Supply Installation

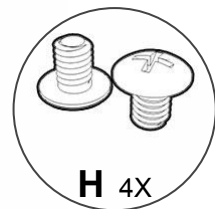
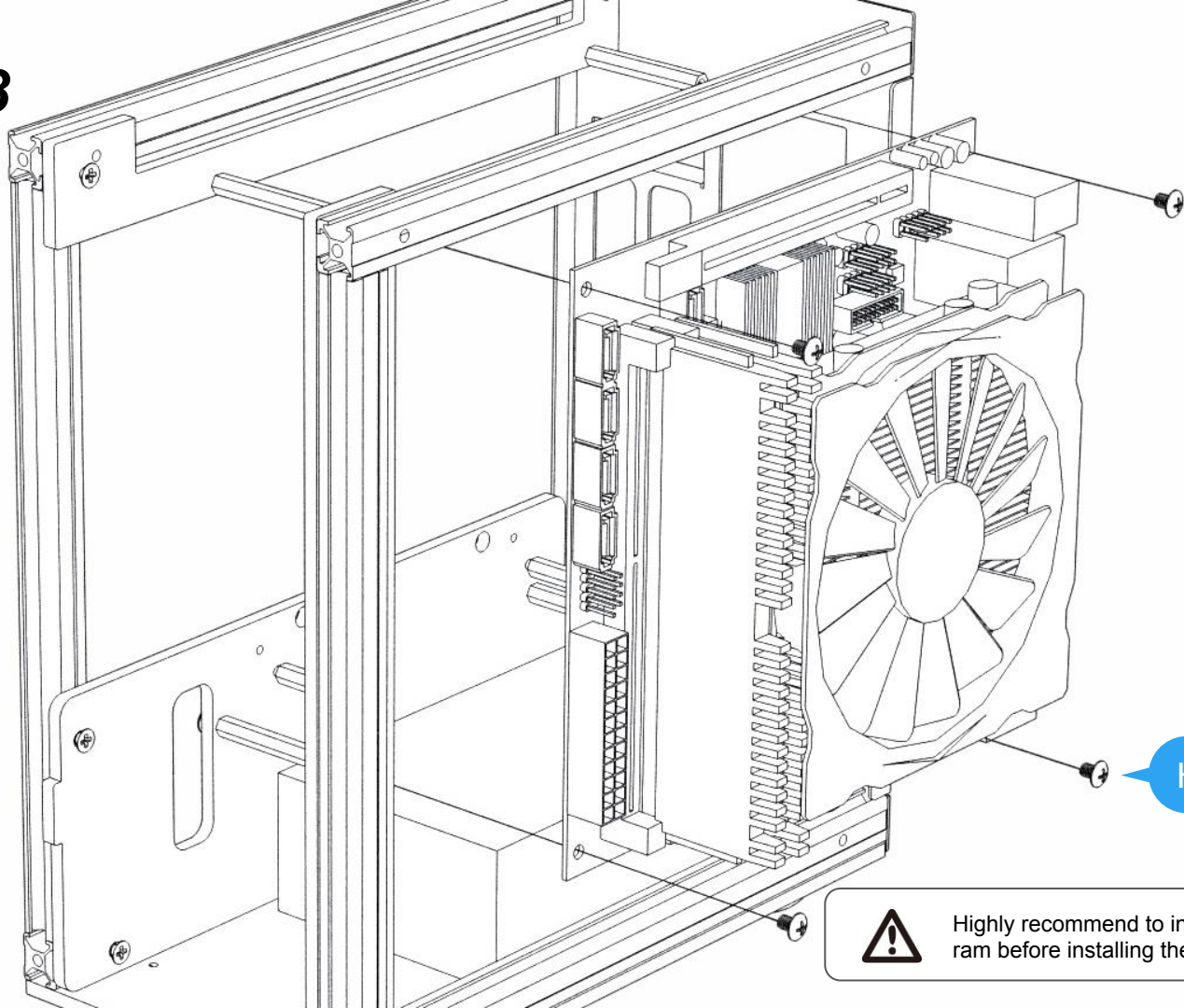
安裝電源供應器



# STEP 08

M/B Installation

安裝主機板



H

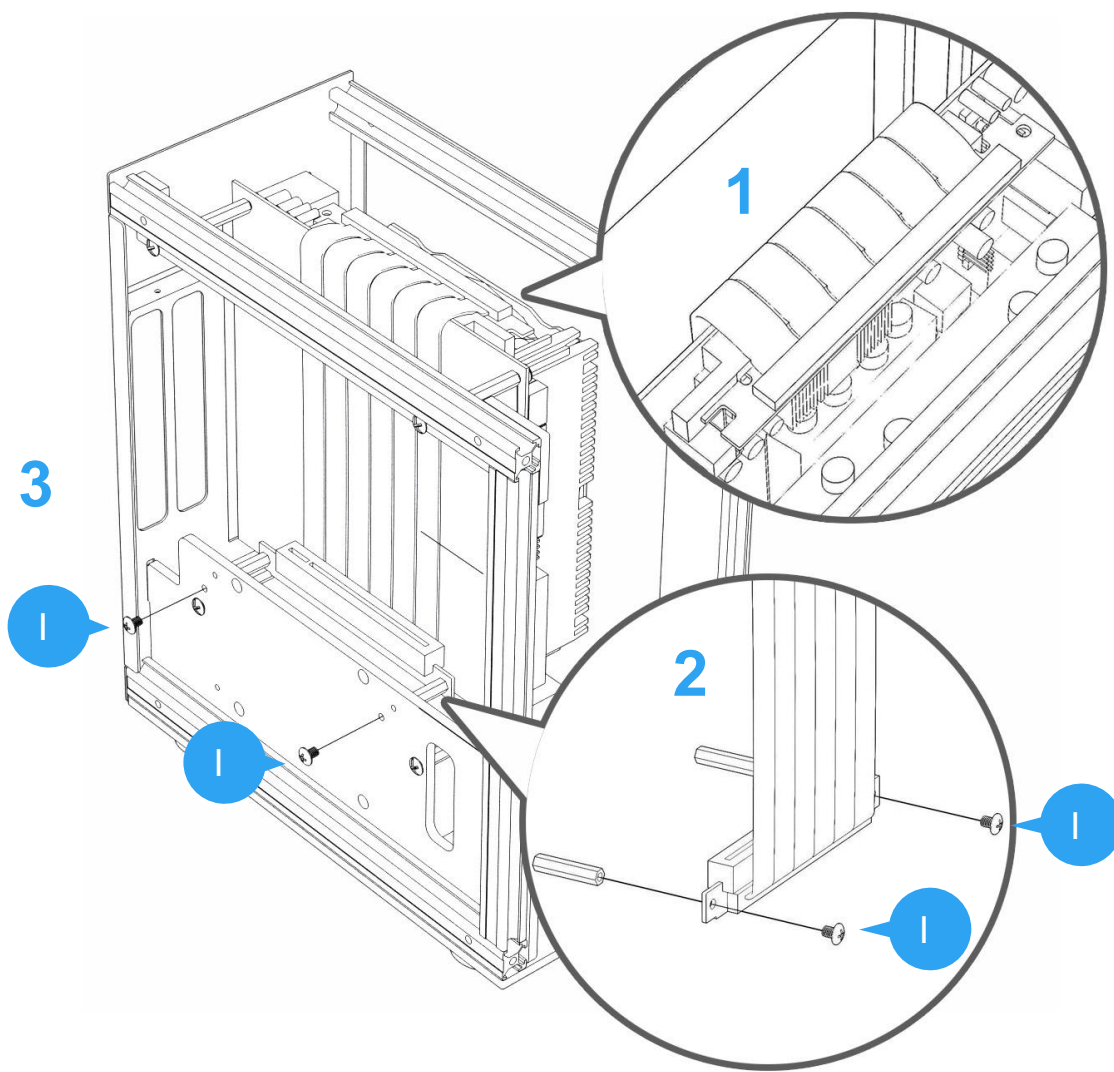
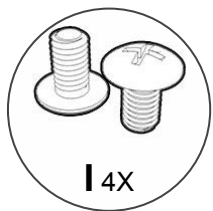
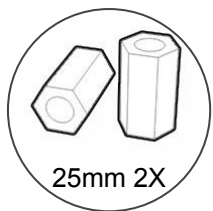


Highly recommend to install the CPU cooler and ram before installing the motherboard.

# STEP 09

PCIe Riser Cable Installation

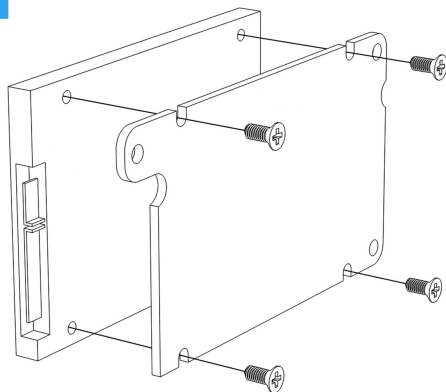
安裝PCI-E 延長線



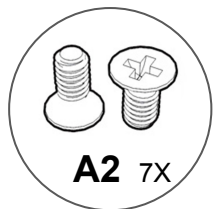
# STEP 10

2.5" SSD/HDD Installation / 安裝2.5"硬碟

1

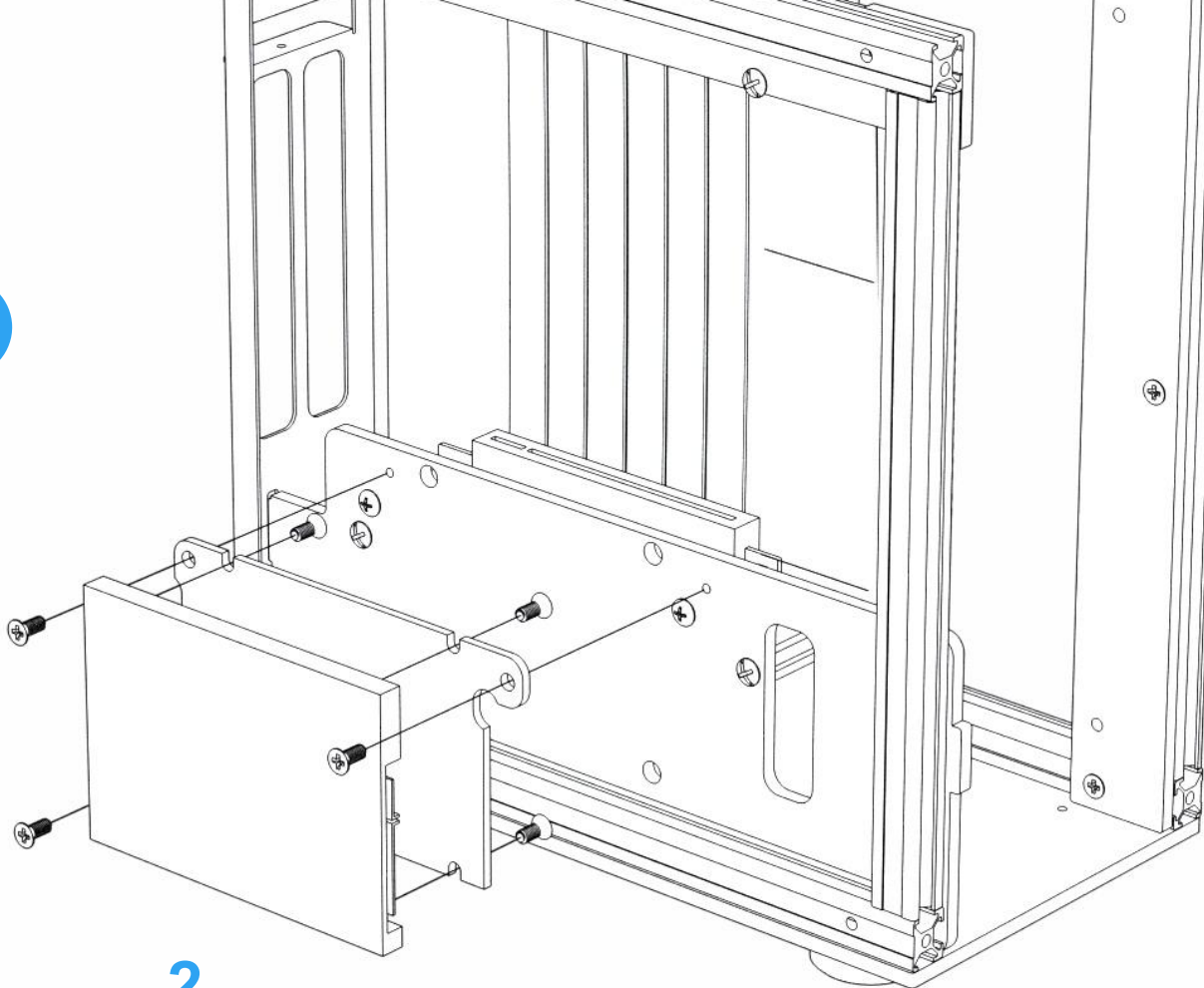


A2



A2 7X

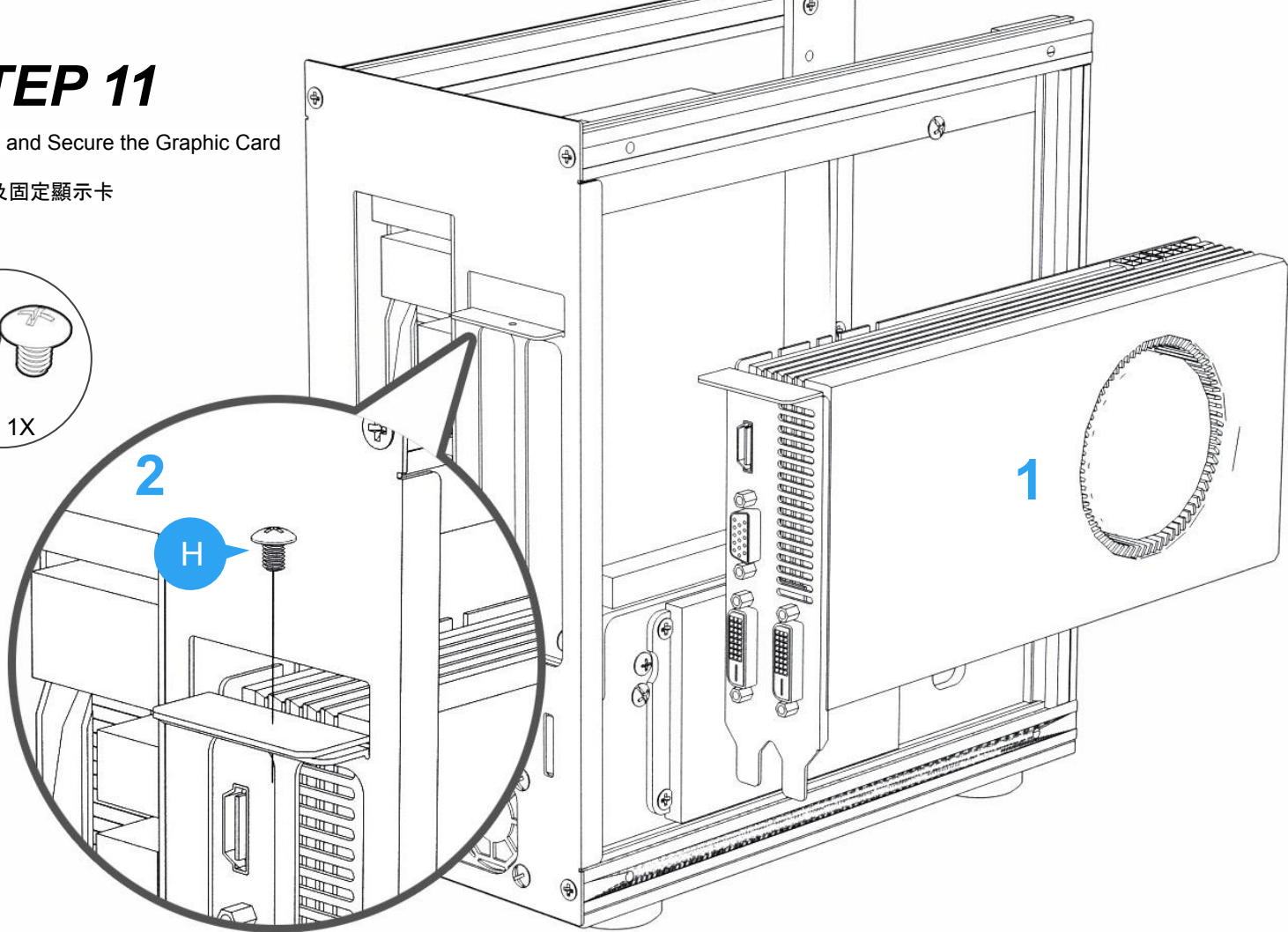
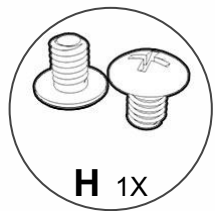
2



# STEP 11

Install and Secure the Graphic Card

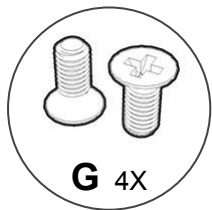
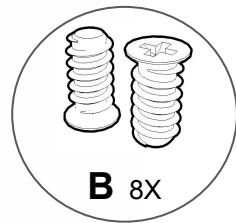
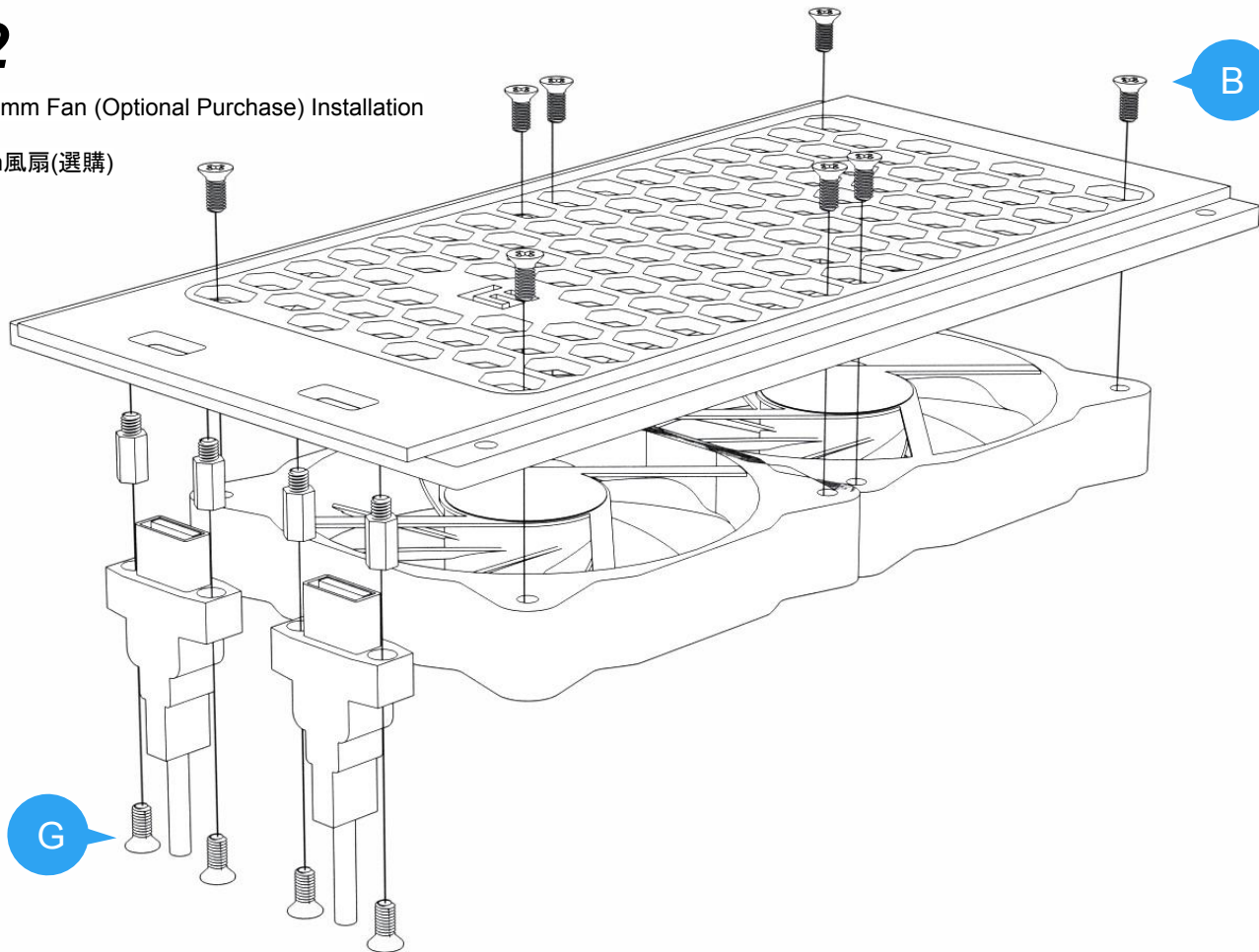
安裝及固定顯示卡



# STEP 12

USB 3.0 Cable and 92mm Fan (Optional Purchase) Installation

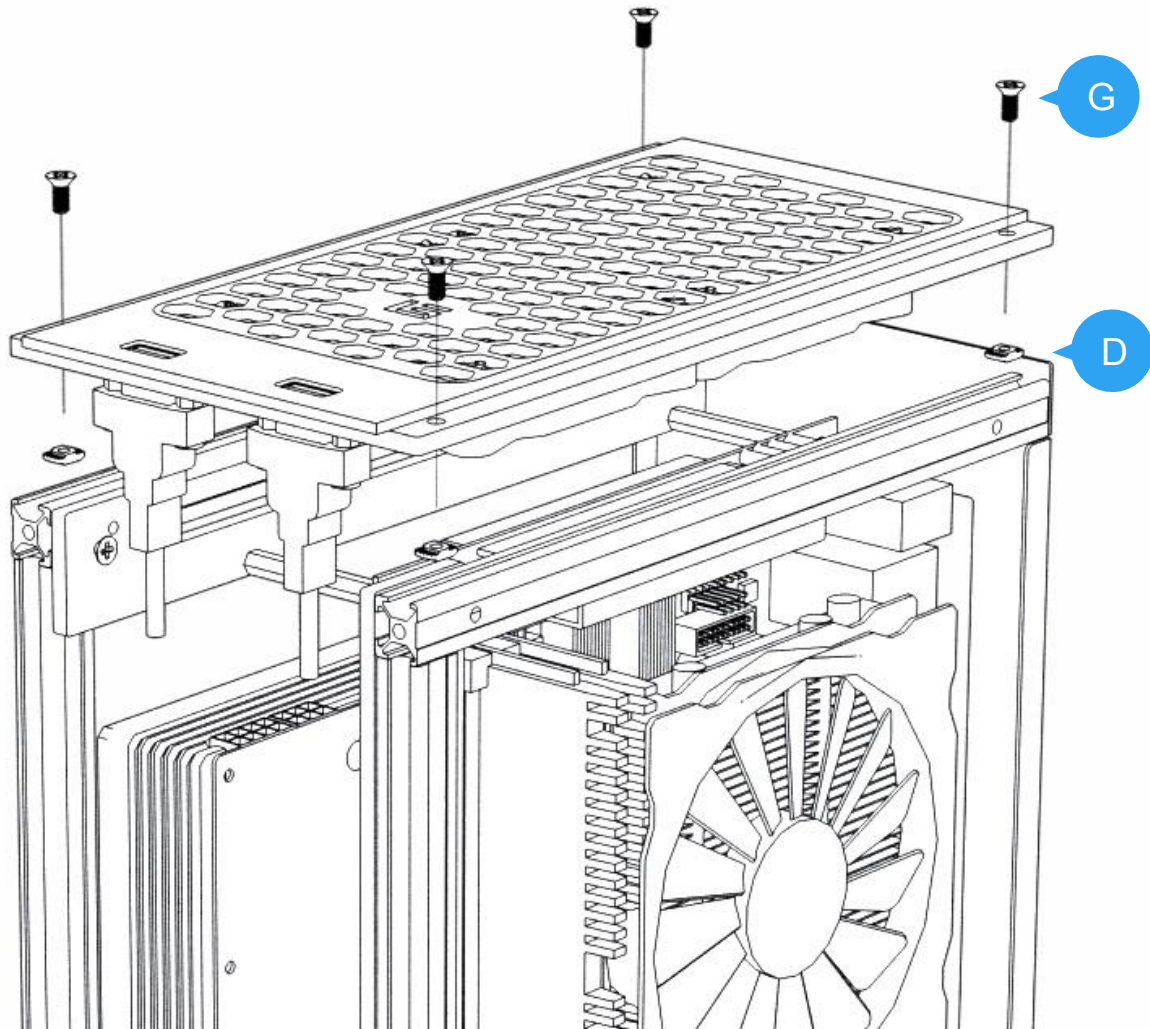
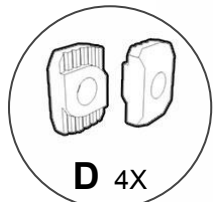
安裝USB 3.0及92mm風扇(選購)



# STEP 13

Top Panel Installation

安裝上面板

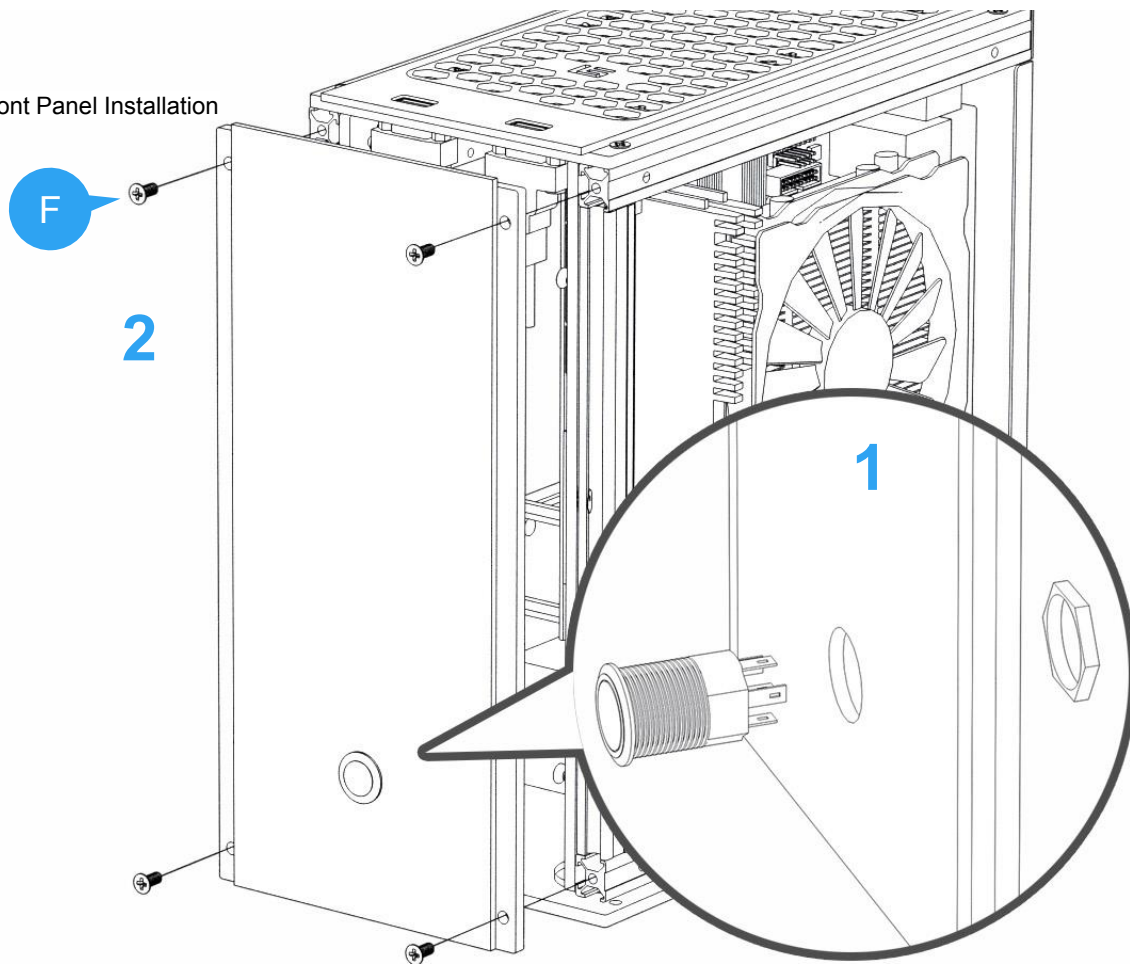
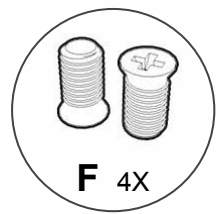




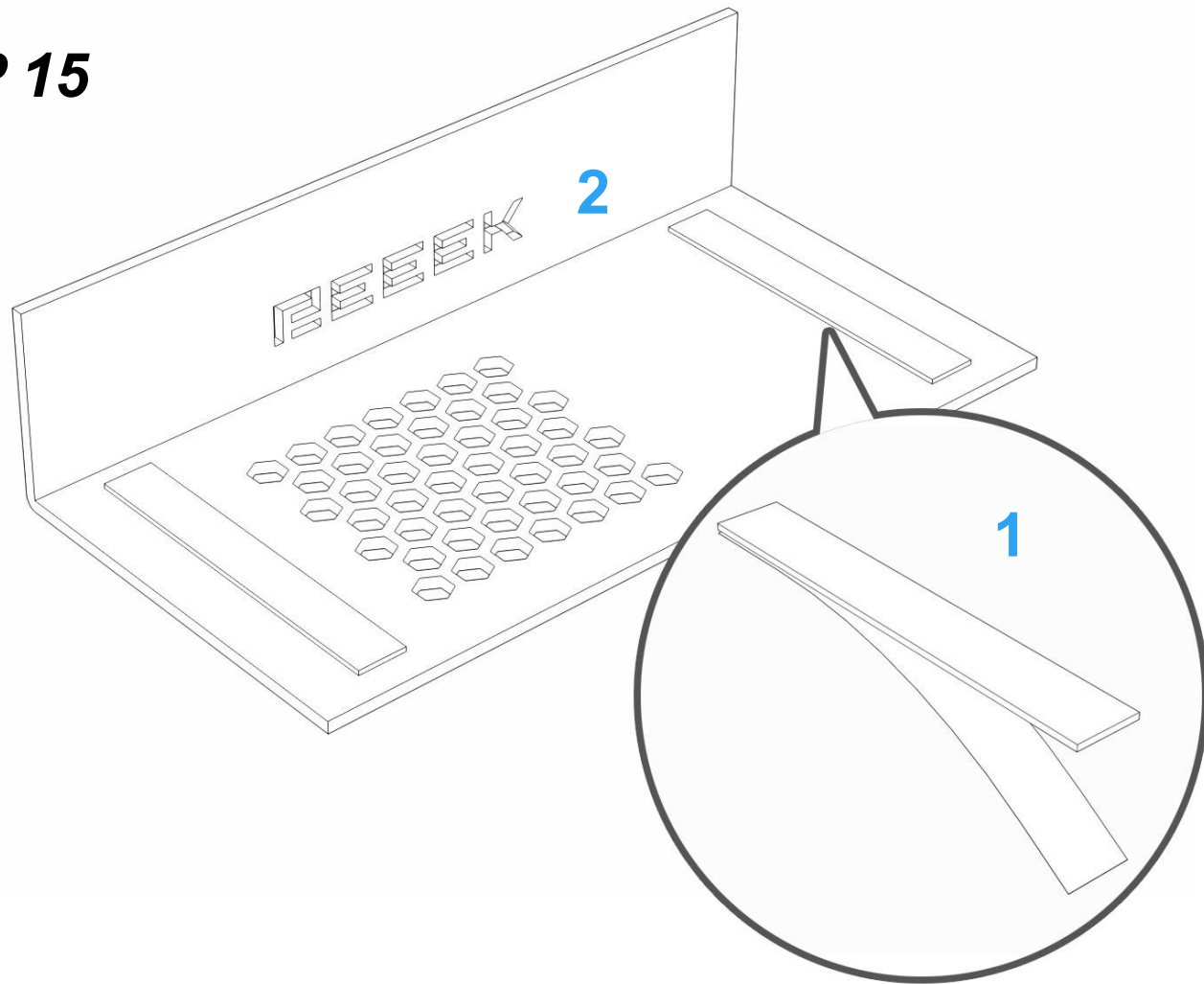
# STEP 14

① Power Switch and ② Front Panel Installation

安裝電源開關及前面板



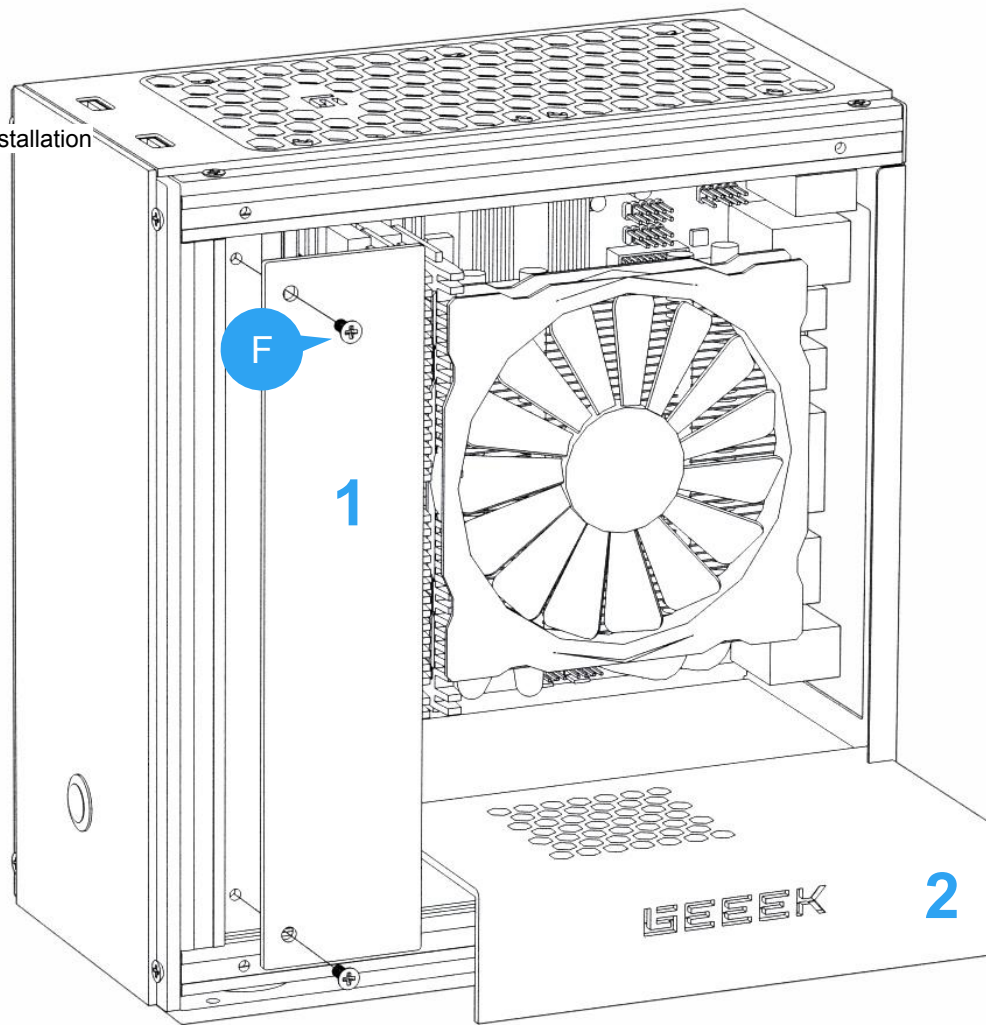
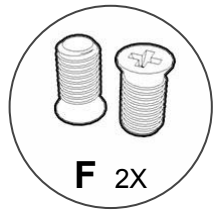
# STEP 15



# STEP 16

①Side Cover and ②PSU Cover Installation

安裝右側擋板及電源檔板



# STEP 17

Side Panels Installation

安裝側板

