

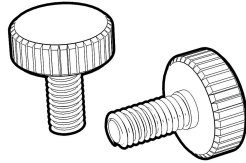
GEEK

A1 V2

INSTALLATION GUIDE

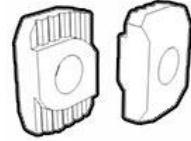
SCREWS LIST

A



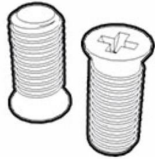
M4 Thumb Screws

B



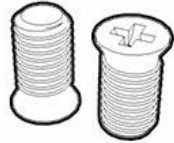
M3 Nut

C



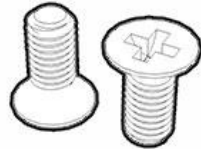
M4x16

D



M4x8

E



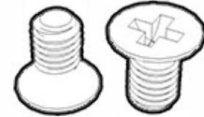
M3x8

F



M3x5

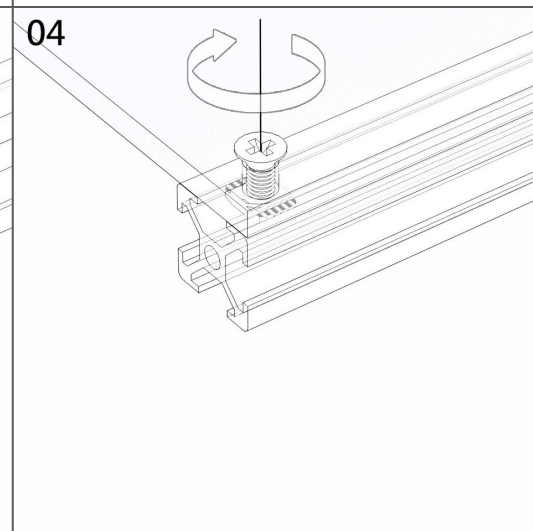
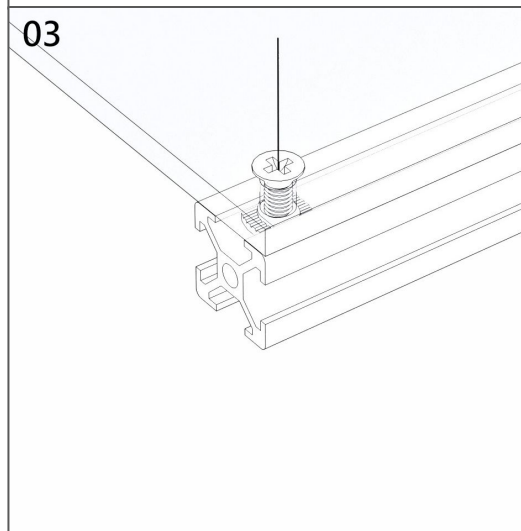
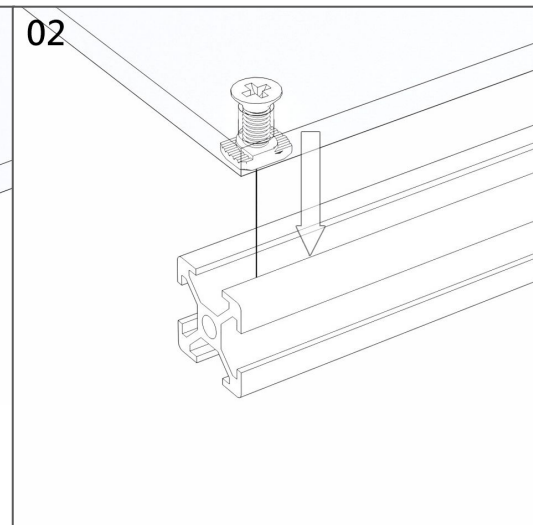
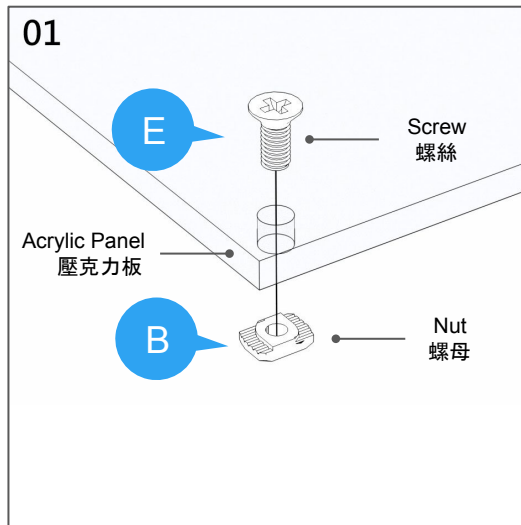
G



M3x5

Aluminum Frame Installation

鋁框架安裝說明



Please read the "Aluminum Frame installation" before assembling this case
安裝前請務必先理解鋁框架如何安裝

STEP 01

Aluminum Frame Installation

安裝機身鋁框架

205mm

175mm

205mm

205mm

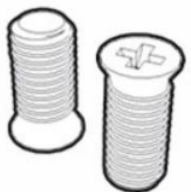
175mm

C

C

C

C

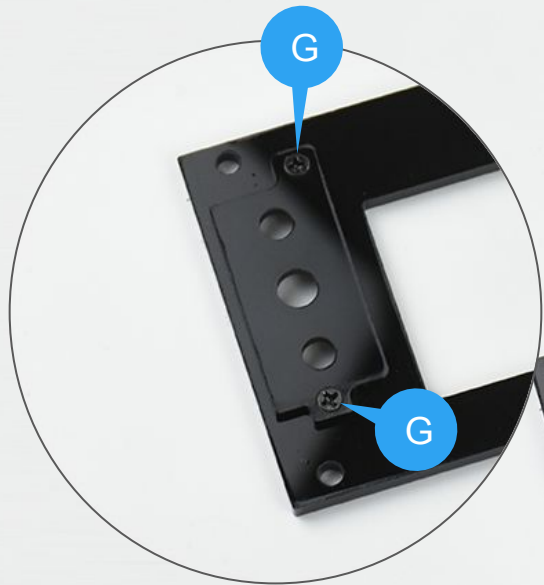


C 4X

STEP 02

Rear Panel Installation

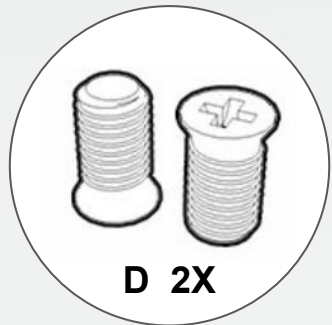
安裝後背板



STEP 03

Install the Aluminum Frame to the Rear Panel

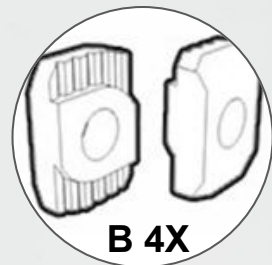
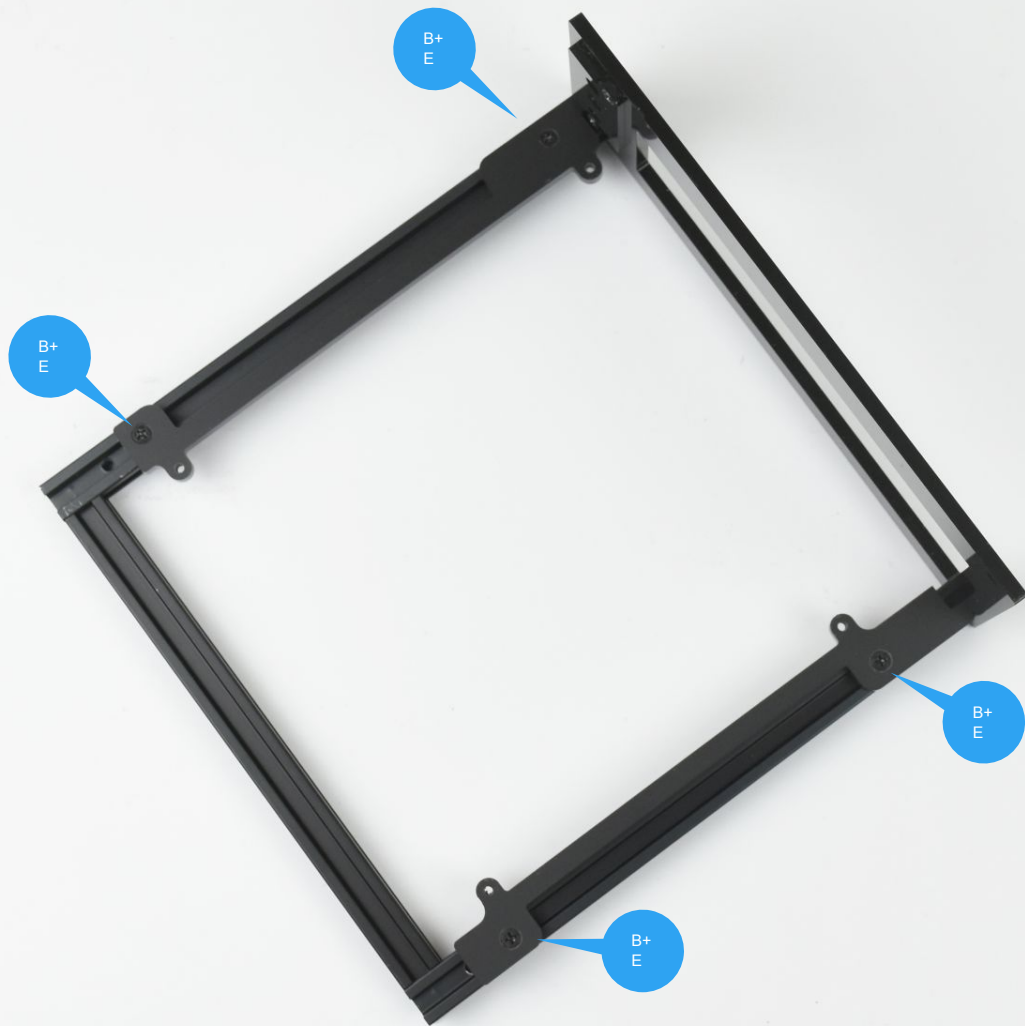
安裝機身鋁框架到後背版



STEP 04

M/B Bracket Installation

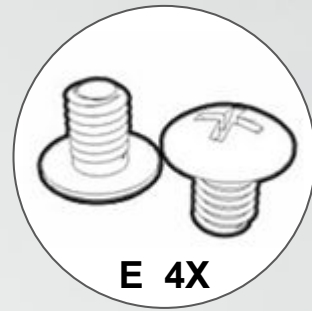
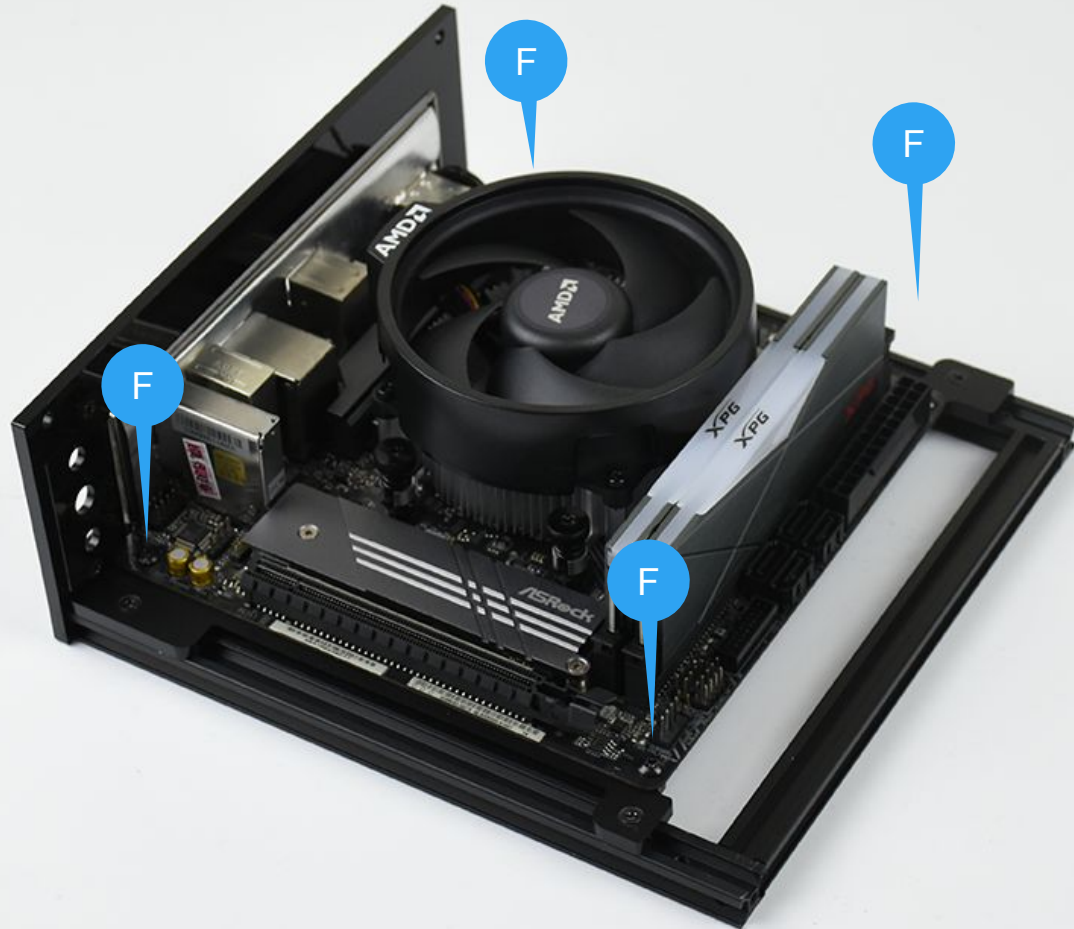
安裝主機板支架



STEP 05

M/B Installation

安裝主機板



STEP 06

DC-ATX PSU Installation

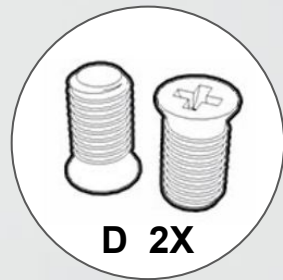
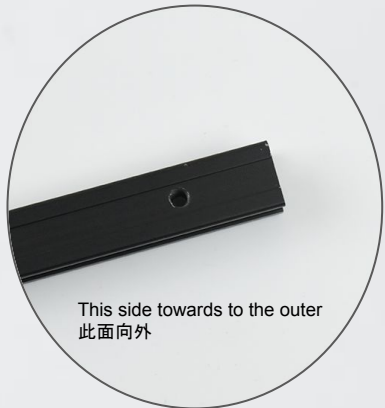
安裝DC-ATX電源



STEP 07

Install the Aluminum Frame to the Rear Panel

安裝機身鋁框架到後背版



STEP 08

Power Swith Installation

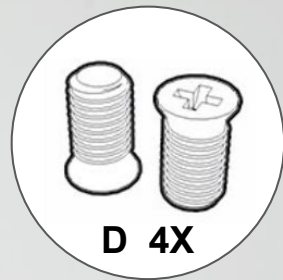
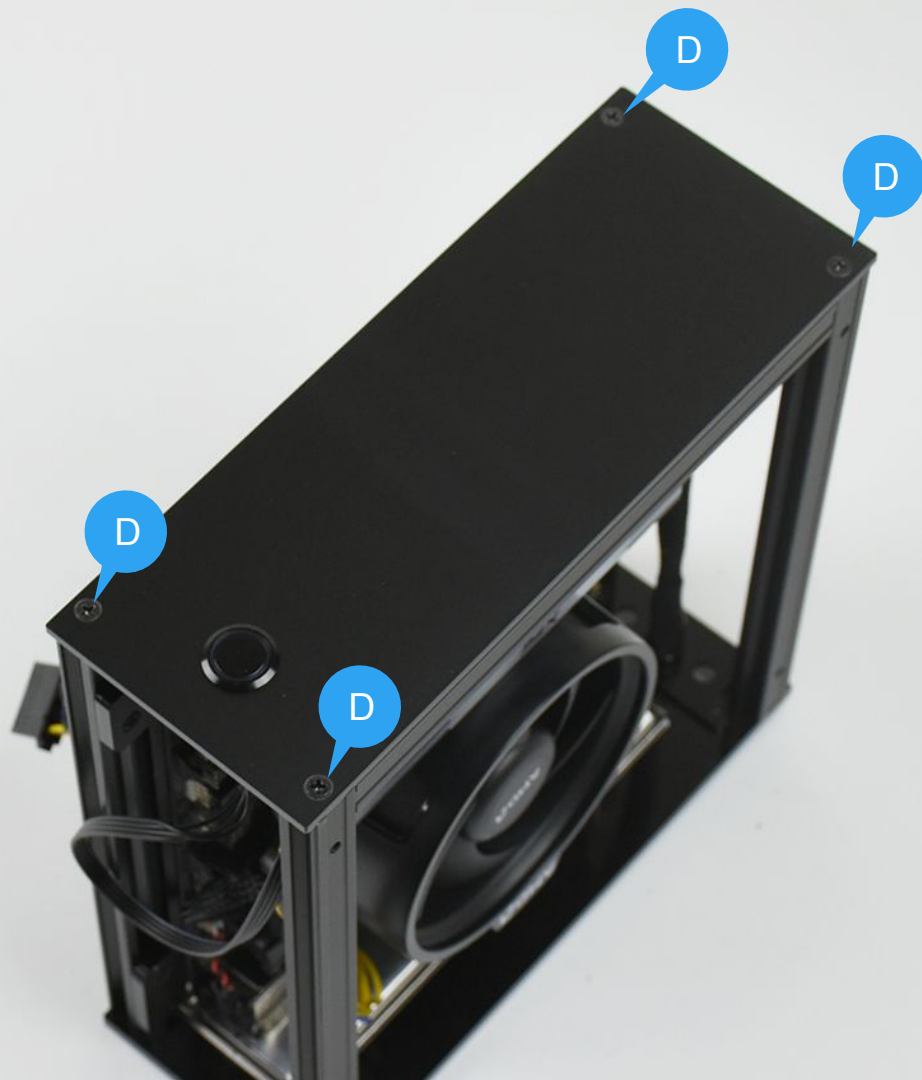
安裝電源開關



STEP 09

Front Panel Installation

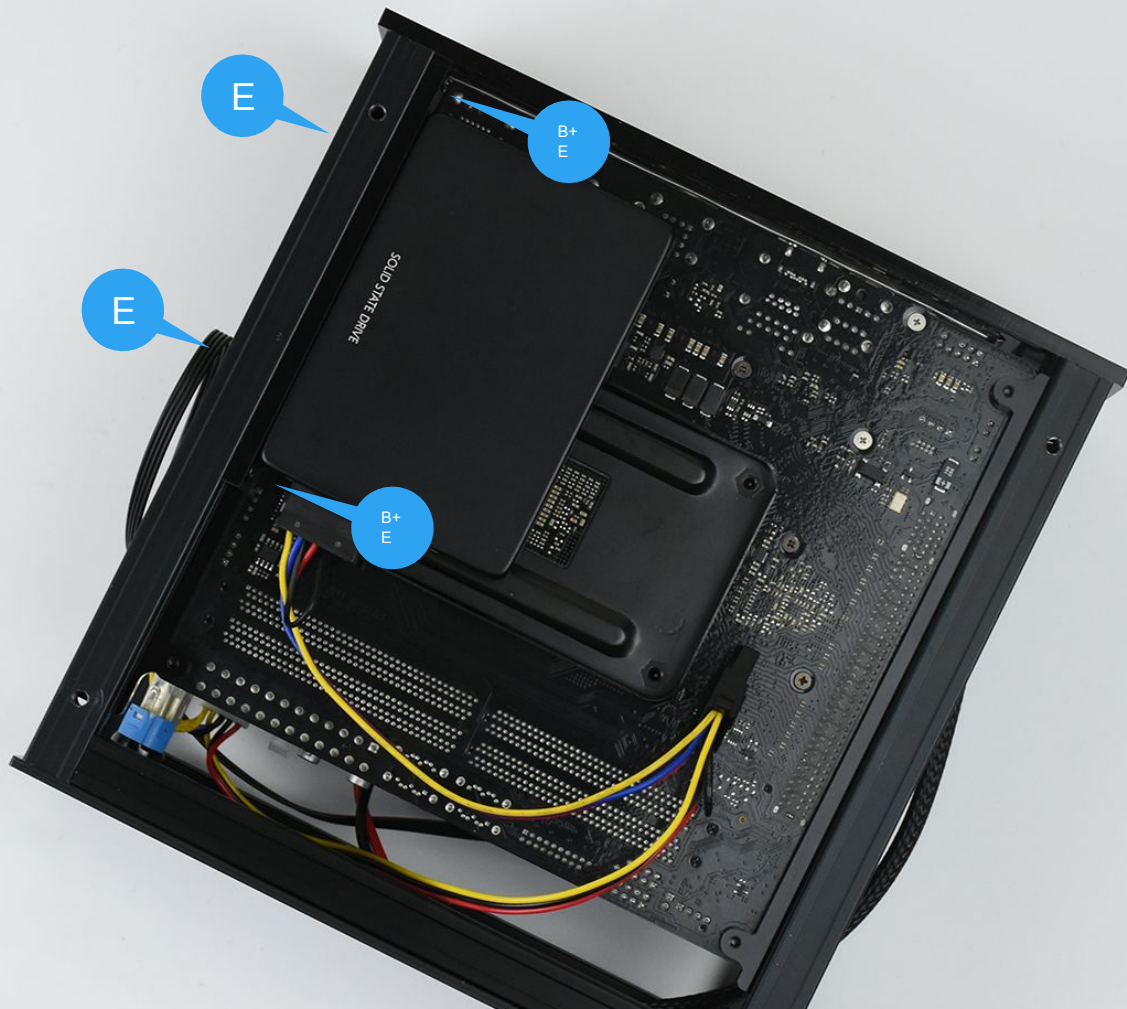
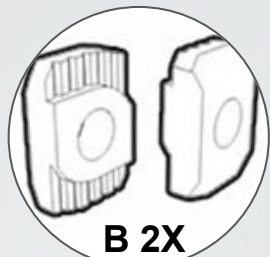
安裝前面板



STEP 10

2.5" SSD/HDD Installation

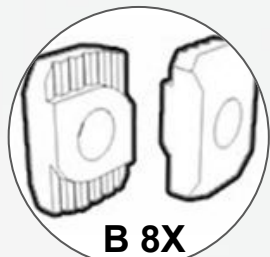
安裝2.5"硬碟



STEP 11

Top&Bottom(Foot Pad) Panel Installation

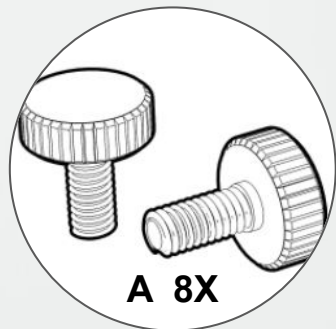
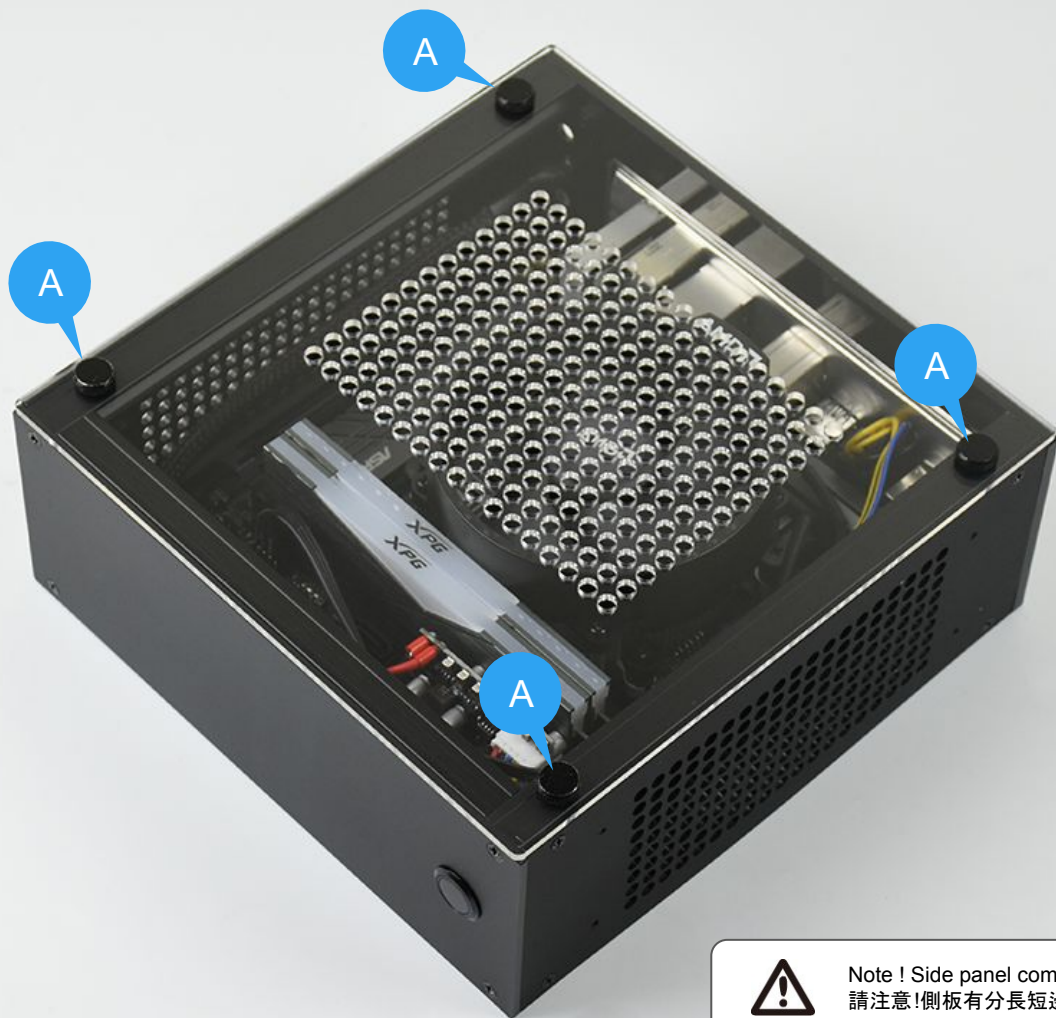
安裝上面板及底部面板



STEP 12

Side Panel Installation

安裝側板



Note ! Side panel comes with long and short side
請注意!側板有分長短邊

STEP 13

AC-DC Power Adapter Installation

安裝電源變壓器

