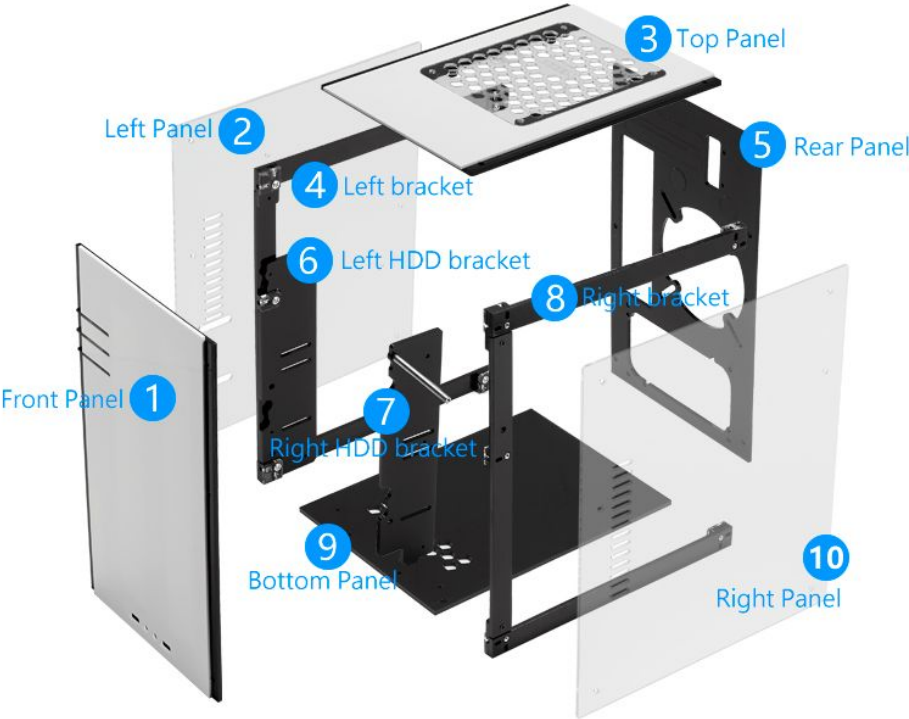
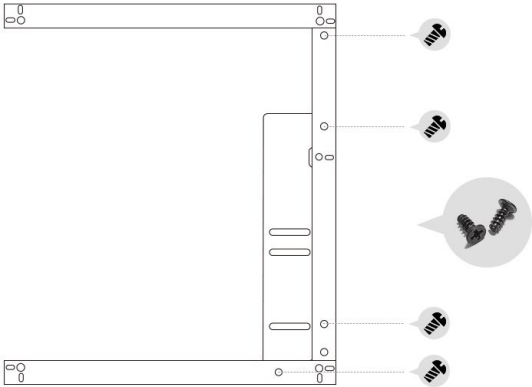
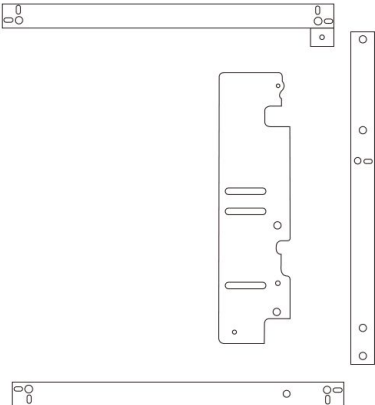


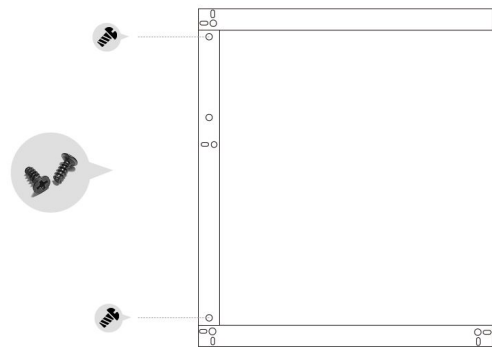
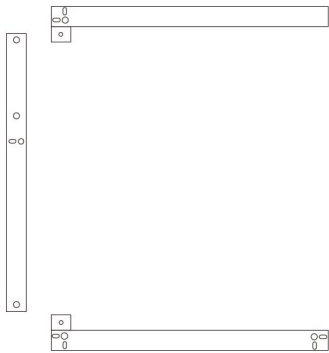
# M100 Installation Guide



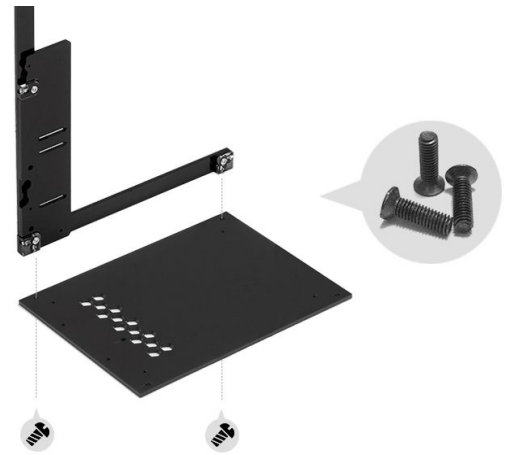
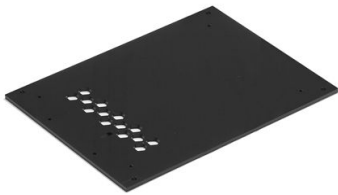
## ▼STEP 1 : Install the left bracket



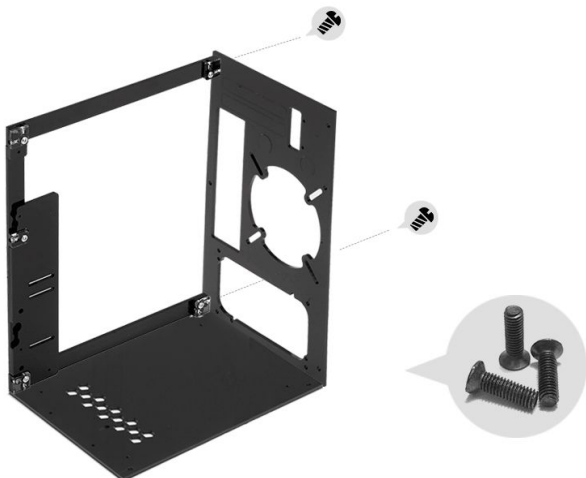
▼STEP 2 : Install the right bracket



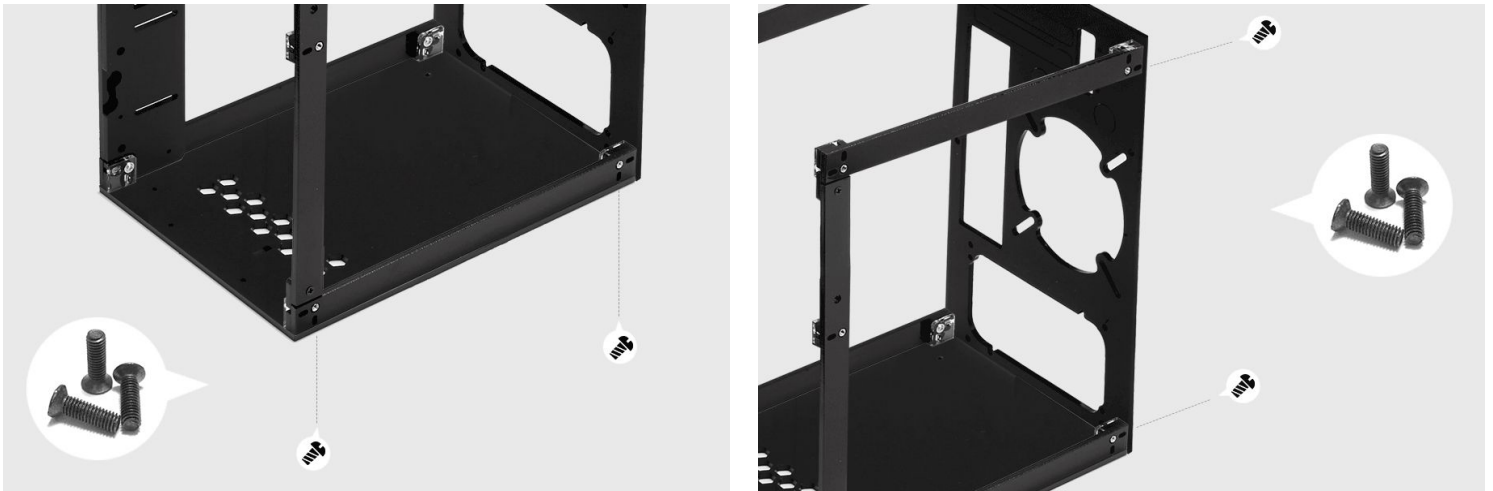
▼STEP 3 : Install the left bracket on the bottom panel



▼STEP 4 : Install the rear panel



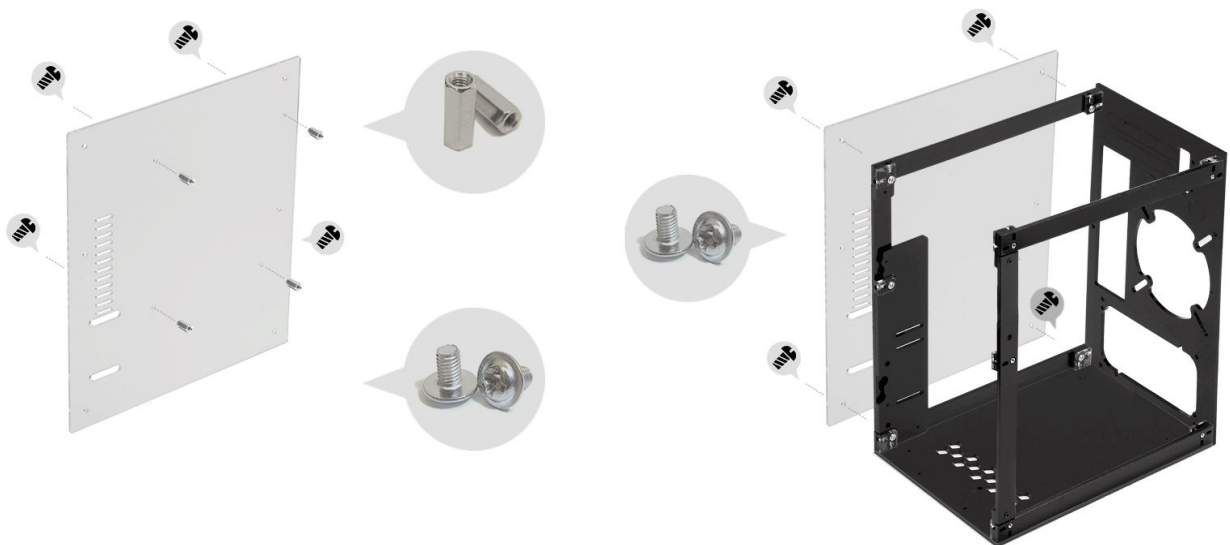
▼STEP5 : Install the right bracket on the bottom and rear panel



▼STEP6 : To install the hardware

After step 5, we suggest that you can start to install hardware then move to step 7

▼STEP7 : Install the standoffs on the left panel and then install the left panel on the main body



▼STEP 8 : Install the top panel

▼STEP 9 : Install the power switch on the front panel and then install the front panel on the main body

▼STEP 10 : Install the top panel

▼STEP 11 : install the right panel on the main body